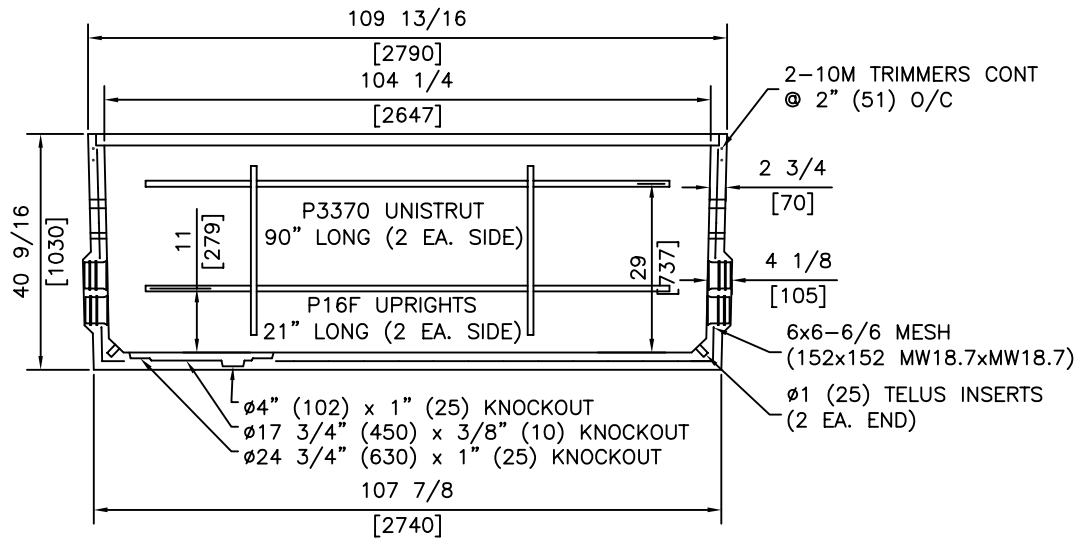
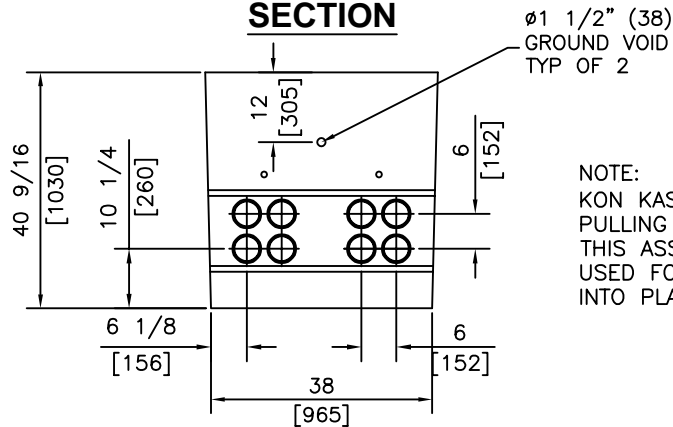


**ISOMETRIC**



**SECTION**

**END ELEVATION**



NOTE:  
 KON KAST TO SUPPLY  $\phi 3/4$ " PULLING ASSEMBLY  
 THIS ASSEMBLY CAN ALSO BE USED FOR LIFTING THE PRODUCT INTO PLACEMENT

30 MPa @ 28 DAYS  
 SULPHATE RESISTANT CONCRETE  
 H-20 STATIC LOAD RATED  
 WEIGHT: 1490 kg

REVISED: APR 12 2016



**KON KAST**  
 products (2005) ltd.

ph: (250) 765 1423  
 fx: (250) 765 0820  
 www.konkast.com

"Committed To Quality And Service"

DESCRIPTION

**FORTIS  
 832 JUNCTION  
 VAULT**

DRAWN BY: PKR  
 DATE: MAY 16 2007  
 SCALE: NTS

DRAWING:

**1032**