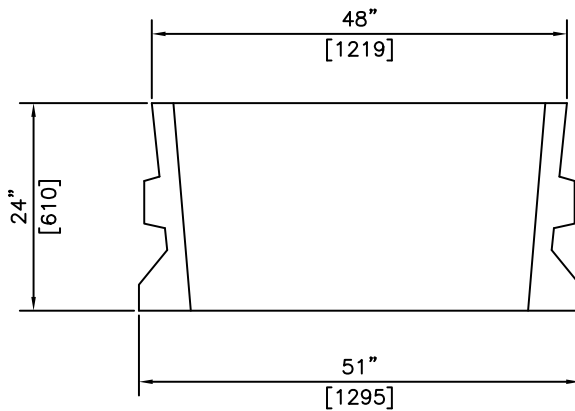
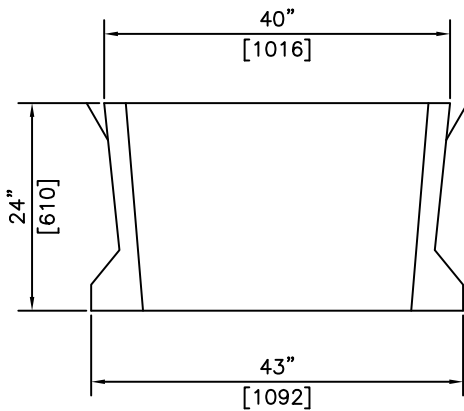


LIFTING SUPPORTS or
 ø5/16" G.A.C.
 LIFTING CABLES

ISOMETRIC



SECTIONS

NOTES:

- 1) 27.6 MPa @ 28 DAYS
- 2) MEETS H-20 LOADING

REVISED: MAY 3 2006



KON KAST
 products (2005) Ltd.

"Committed To Quality And Service"

3440 UNIVERSITY WAY
 KELOWNA B.C.
 V1V 1V9
 PH: (250)765-1423
 FX: (250)765-0820

BY: PKR

DATE: FEB 18 05

SCALE: NTS

**40 x 48 TRANSFORMER
 SUPPORT BOX
 WITHOUT UNISTRUT**

ITEM NO.

1030