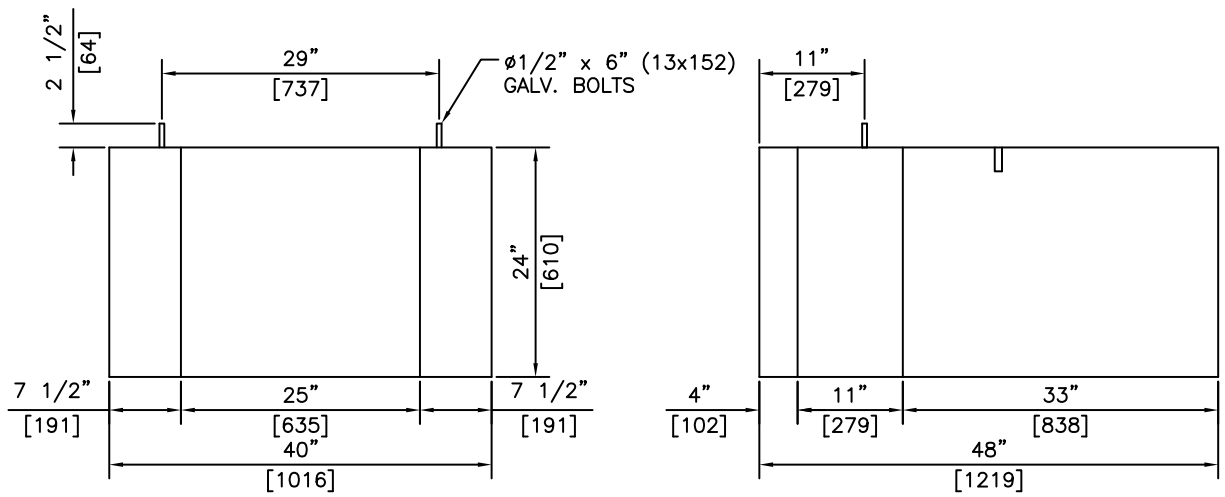



**ISOMETRIC**



**SECTIONS**

**NOTES:**  
 1) 27.6 MPa @ 28 DAYS

REVISED: FEB 15 2005

 <b>KON KAST</b> products (2005) Ltd. "Committed To Quality And Service"	3440 UNIVERSITY WAY KELOWNA B.C. V1V 1V9 PH: (250)765-1423 FX: (250)765-0820	BY: PKR DATE: FEB 15 05 SCALE: NTS	<b>TRANSFORMER          PAD          L.P.T.</b>	ITEM NO. <b>1008</b>