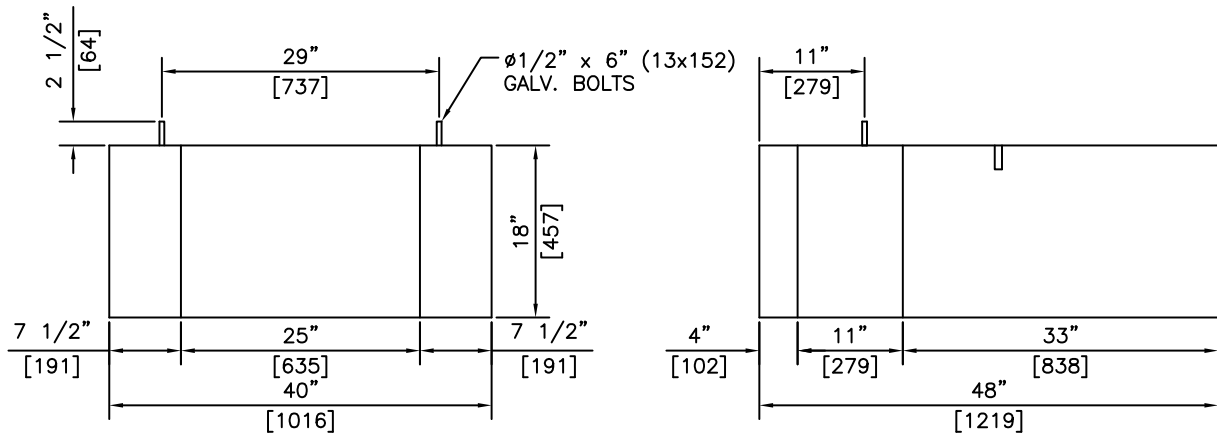


ISOMETRIC




SECTIONS

NOTES:

1) 27.6 MPa @ 28 DAYS

REVISED: FEB 15 2005

 <p>KON KAST products (2005) Ltd. "Committed To Quality And Service"</p>	<p>3440 UNIVERSITY WAY KELOWNA B.C. V1V 1V9 PH: (250)765-1423 FX: (250)765-0820</p>	BY: PKR	<p>TRANSFORMER PAD L.P.T.</p>	ITEM NO.
		DATE: FEB 15 05		<p>1007</p>
		SCALE: NTS		