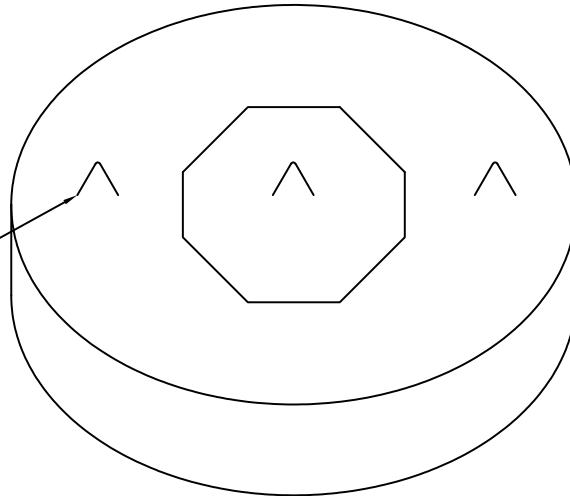
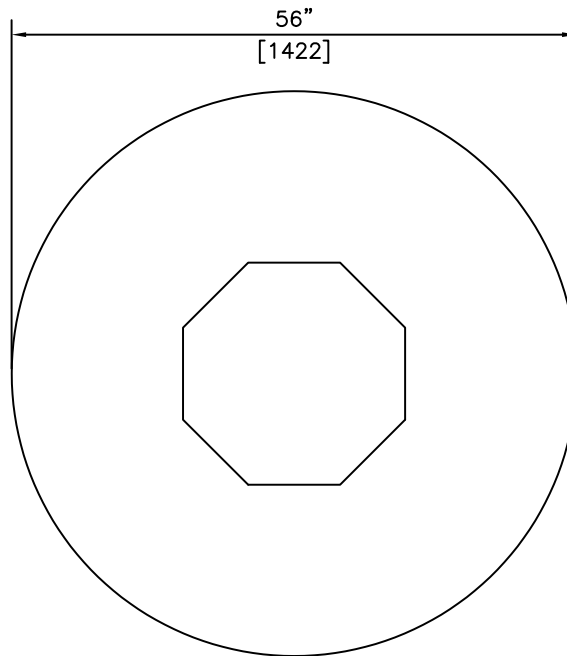


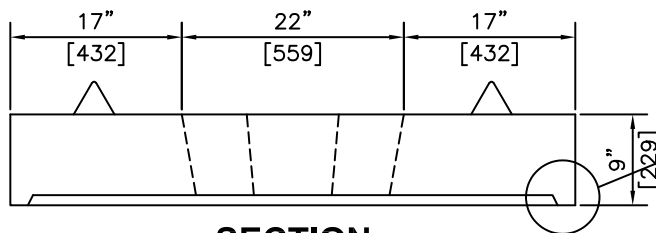
Ø5/16" G.A.C.
LIFTING CABLES



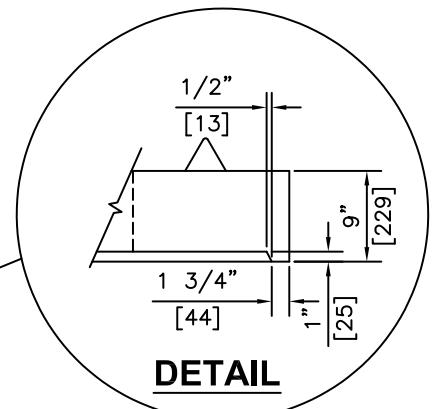
ISOMETRIC



PLAN



SECTION




DETAIL

NOTES:

- 1) 27.6 MPa @ 28 DAYS
- 2) 675S AVAILABLE AS SOLID LID

REVISED: FEB 3 2005

 <p>KON KAST products (2005) Ltd. "Committed To Quality And Service"</p>	<p>3440 UNIVERSITY WAY KELOWNA B.C. V1V 1V9 PH: (250)765-1423 FX: (250)765-0820</p>	<p>BY: PKR DATE: FEB 3 05 SCALE: NTS</p>	<p>DRAINAGE DRYWELL 100 HOLE LID c/w PLUG</p>	<p>ITEM NO. 675P</p>