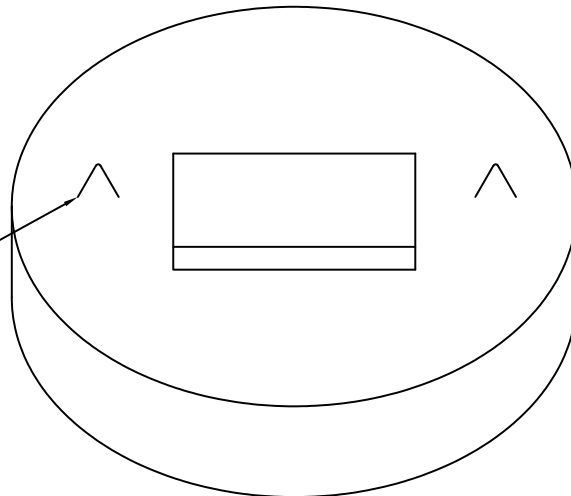
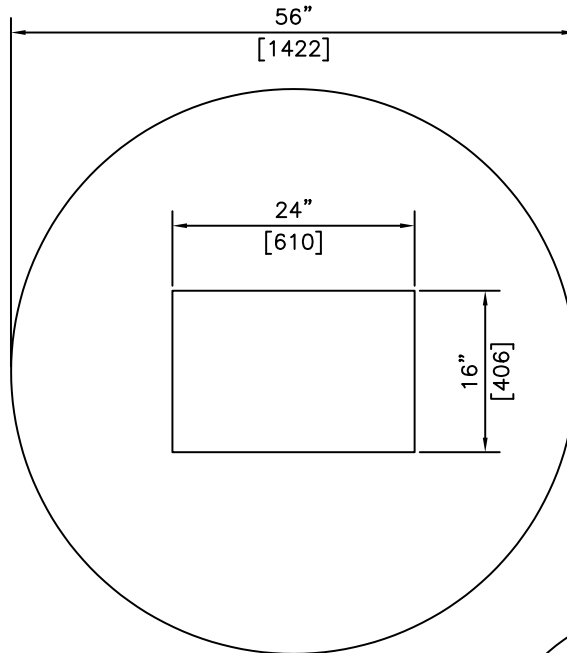


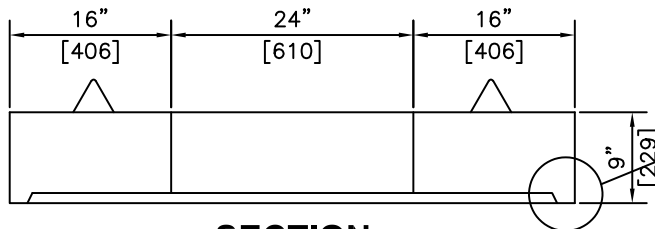
ø5/16" G.A.C.
LIFTING CABLES



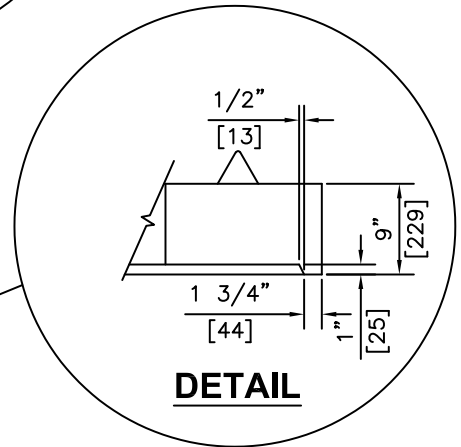
ISOMETRIC



PLAN



SECTION



DETAIL

NOTES:

- 1) 27.6 MPa @ 28 DAYS
- 2) MEETS H-20 LOADING

REVISED: FEB 4 2005



KON KAST
products (2005) Ltd.
"Committed To Quality And Service"

3440 UNIVERSITY WAY
KELOWNA B.C.
V1V 1V9
PH: (250)765-1423
FX: (250)765-0820

BY: PKR
DATE: JAN 27 05
SCALE: NTS

DRAINAGE DRYWELL
100 HOLE LID
HWY OPENING

ITEM NO.
675CBH