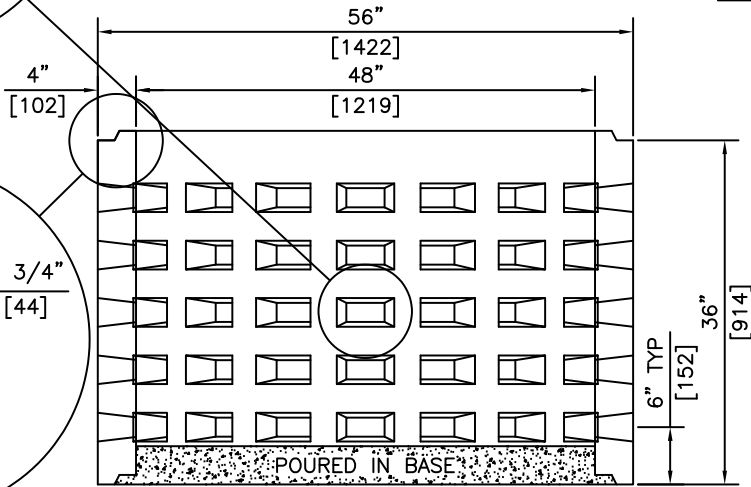
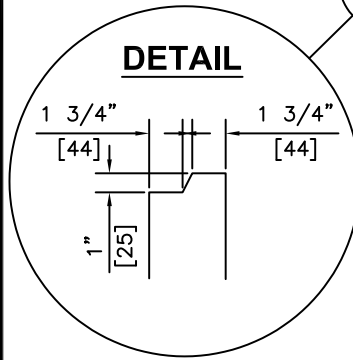


**ISOMETRIC**


NOTE:  
c/w 2-3 3/8" UNI-LIFT  
ANCHORS FOR HANDLING



**SECTION**

- NOTES:**  
1) 27.6 MPa @ 28 DAYS  
2) MEETS H-20 LOADING

REVISED: MAR 27 2006

 <p><b>KON KAST</b> products (2005) Ltd. "Committed To Quality And Service"</p>	<p>3440 UNIVERSITY WAY KELOWNA B.C. V1V 1V9 PH: (250)765-1423 FX: (250)765-0820</p>	<p>BY: PKR</p>	<p><b>100 HOLE DRAINAGE DRYWELL c/w BASE</b></p>	<p>ITEM NO.</p>
		<p>DATE: FEB 7 05</p>		<p><b>627</b></p>
		<p>SCALE: NTS</p>		