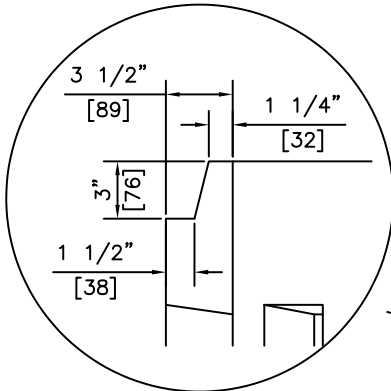


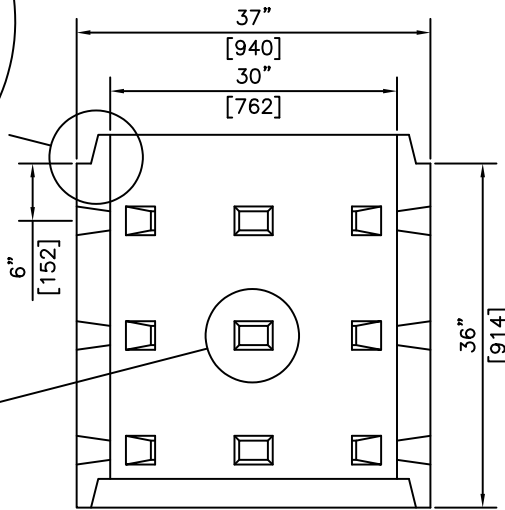
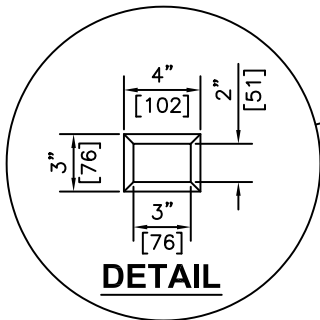
ISOMETRIC

TOTAL OF 27 HOLES

DETAIL



DETAIL



SECTION

NOTES:

- 1) 27.6 MPa @ 28 DAYS
- 2) MEETS H-20 LOADING

REVISED: FEB 4 2005

KON KAST
products (2005) Ltd.
"Committed To Quality And Service"

3440 UNIVERSITY WAY
KELOWNA B.C.
V1V 1V9
PH: (250)765-1423
FX: (250)765-0820

BY: PKR
DATE: FEB 4 05
SCALE: NTS

Ø30" (762)
DRAINAGE DRYWELL
x 36" (914) HEIGHT

ITEM NO.

601