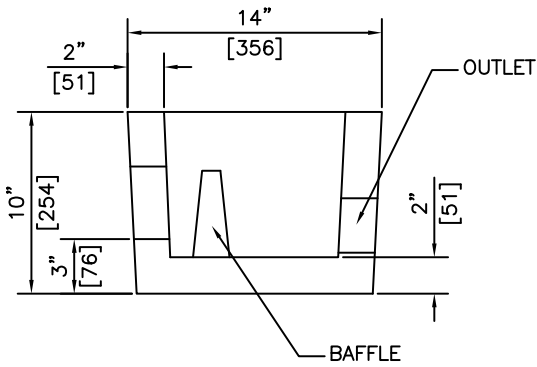


ISOMETRIC



SECTION

NOTES:

1) 25 MPa @ 28 DAYS

REVISED: FEB 11 2005



"Committed To Quality And Service"

KON KAST

products (2005) Ltd.

3440 UNIVERSITY WAY
KELOWNA B.C.
V1V 1V9
PH: (250)765-1423
FX: (250)765-0820

BY: PKR

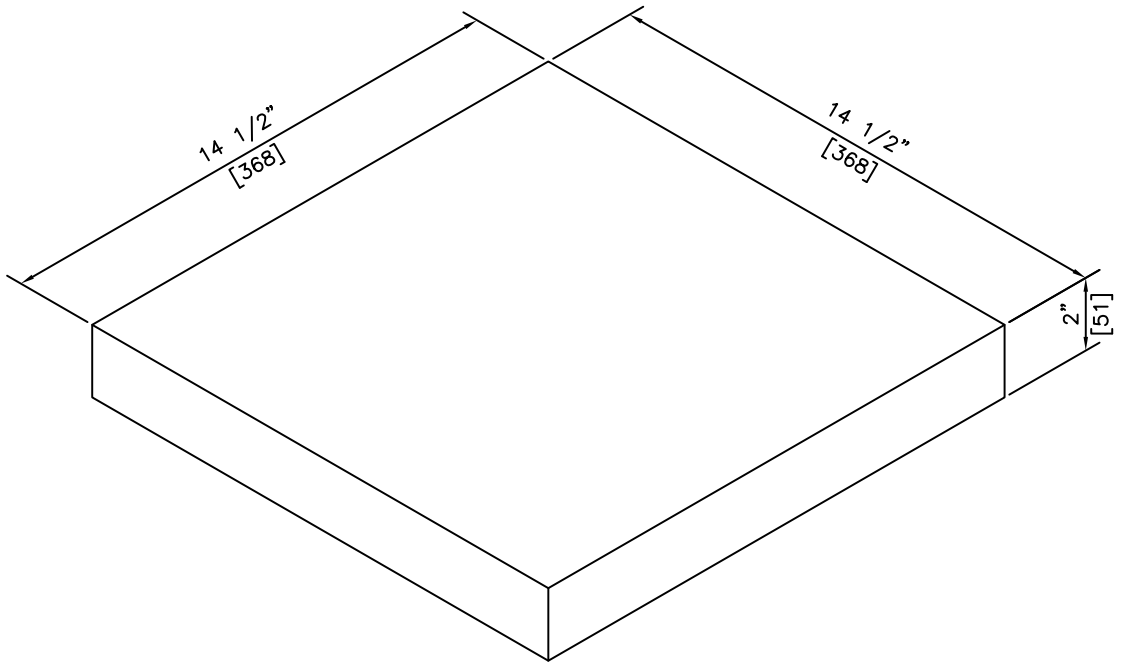
DATE: FEB 11 05

SCALE: NTS

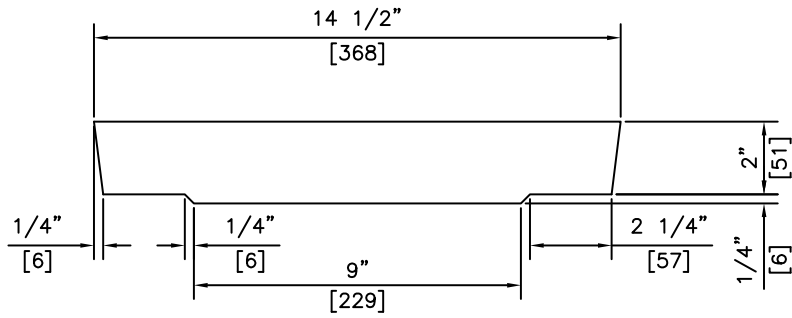
**4 HOLE
DISTRIBUTION
BOX**

ITEM NO.

201



ISOMETRIC



SECTION

NOTES:

1) 25 MPa @ 28 DAYS

REVISED: FEB 11 2005



KON KAST
products (2005) Ltd.

"Committed To Quality And Service"

3440 UNIVERSITY WAY
KELOWNA B.C.
V1V 1V9
PH: (250)765-1423
FX: (250)765-0820

BY: PKR

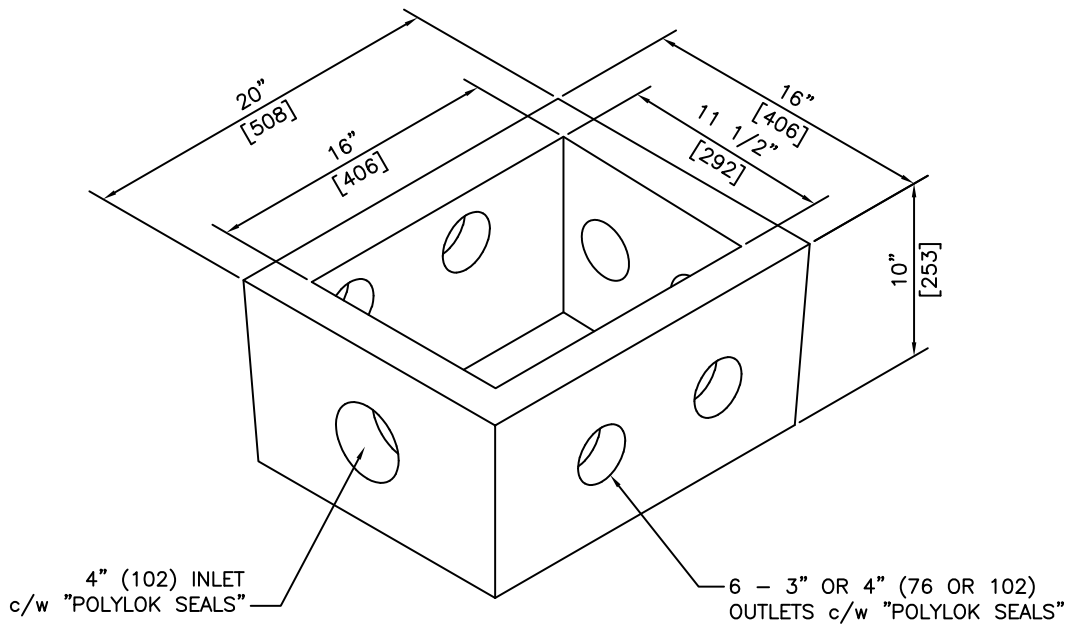
DATE: FEB 11 05

SCALE: NTS

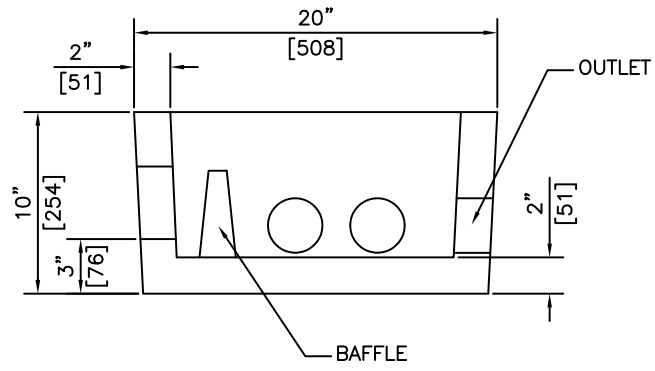
**4 HOLE
DISTRIBUTION BOX
LID**

ITEM NO.

202




ISOMETRIC

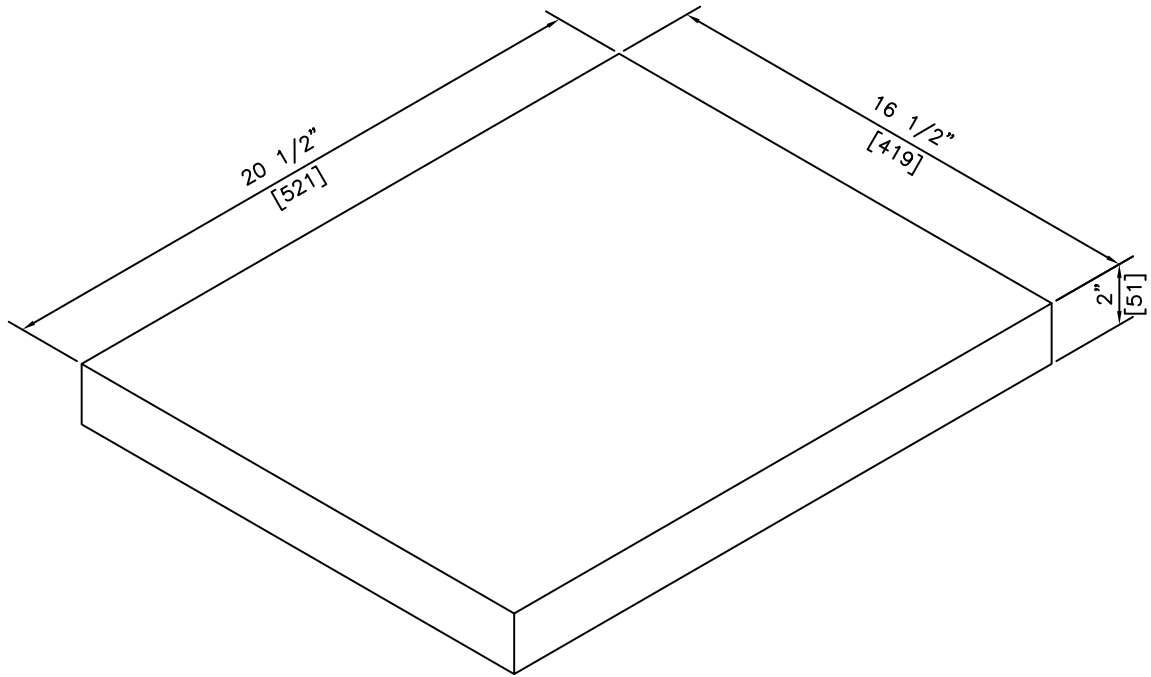


SECTION

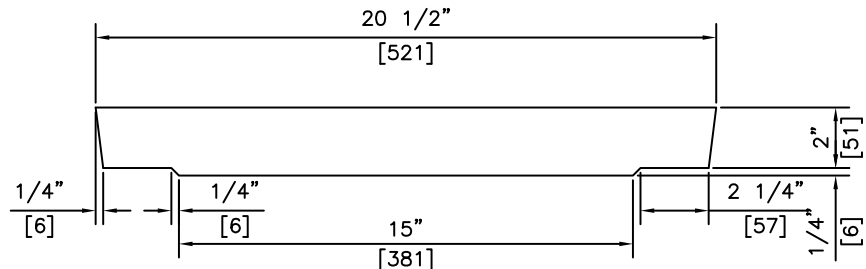
NOTES:
1) 25 MPa @ 28 DAYS

REVISED: FEB 14 2005

 <p>KON KAST products (2005) Ltd. "Committed To Quality And Service"</p>	<p>3440 UNIVERSITY WAY KELOWNA B.C. V1V 1V9 PH: (250)765-1423 FX: (250)765-0820</p>	BY: PKR	<p>7 HOLE DISTRIBUTION BOX</p>	ITEM NO.
		DATE: FEB 14 05		<p>203</p>
		SCALE: NTS		



ISOMETRIC



SECTION

NOTES:

1) 25 MPa @ 28 DAYS

REVISED: FEB 14 2005



KON KAST
products (2005) Ltd.
"Committed To Quality And Service"

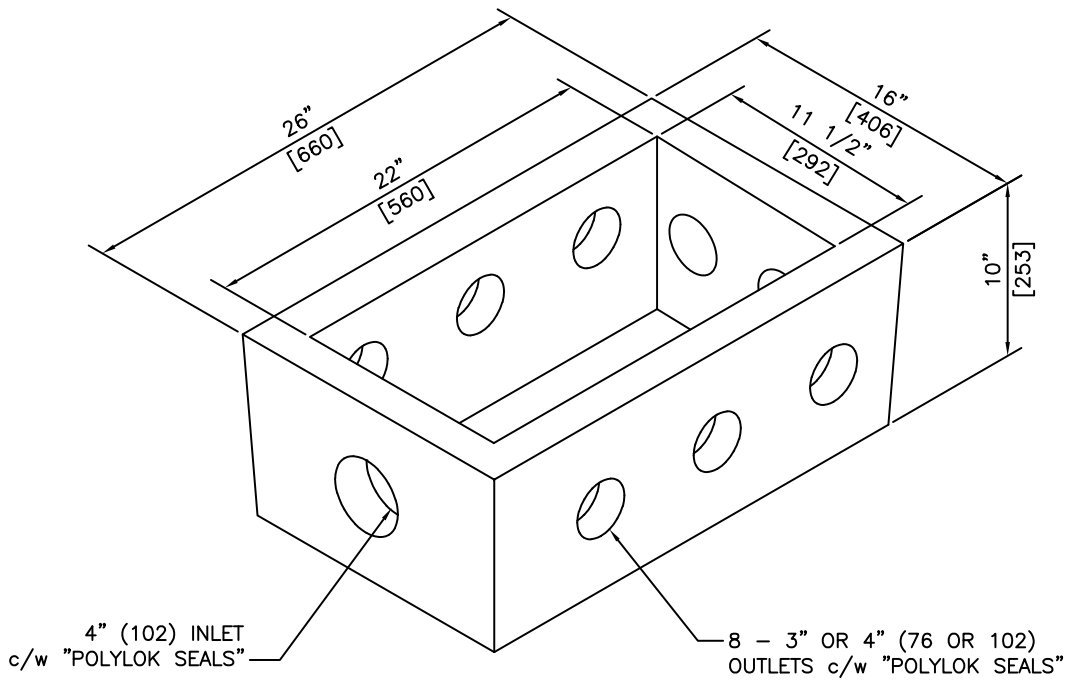
3440 UNIVERSITY WAY
KELOWNA B.C.
V1V 1V9
PH: (250)765-1423
FX: (250)765-0820

BY: PKR
DATE: FEB 14 05
SCALE: NTS

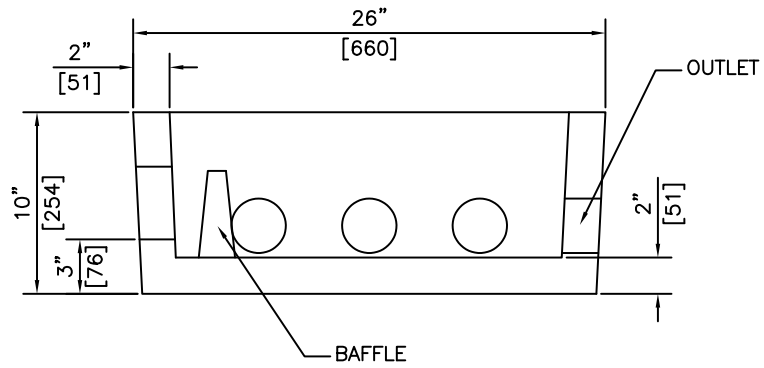
**7 HOLE
DISTRIBUTION BOX
LID**

ITEM NO.

204



ISOMETRIC



SECTION

NOTES:

1) 25 MPa @ 28 DAYS

REVISED: FEB 14 2005



KON KAST
products (2005) Ltd.
"Committed To Quality And Service"

3440 UNIVERSITY WAY
KELOWNA B.C.
V1V 1V9
PH: (250)765-1423
FX: (250)765-0820

BY: PKR

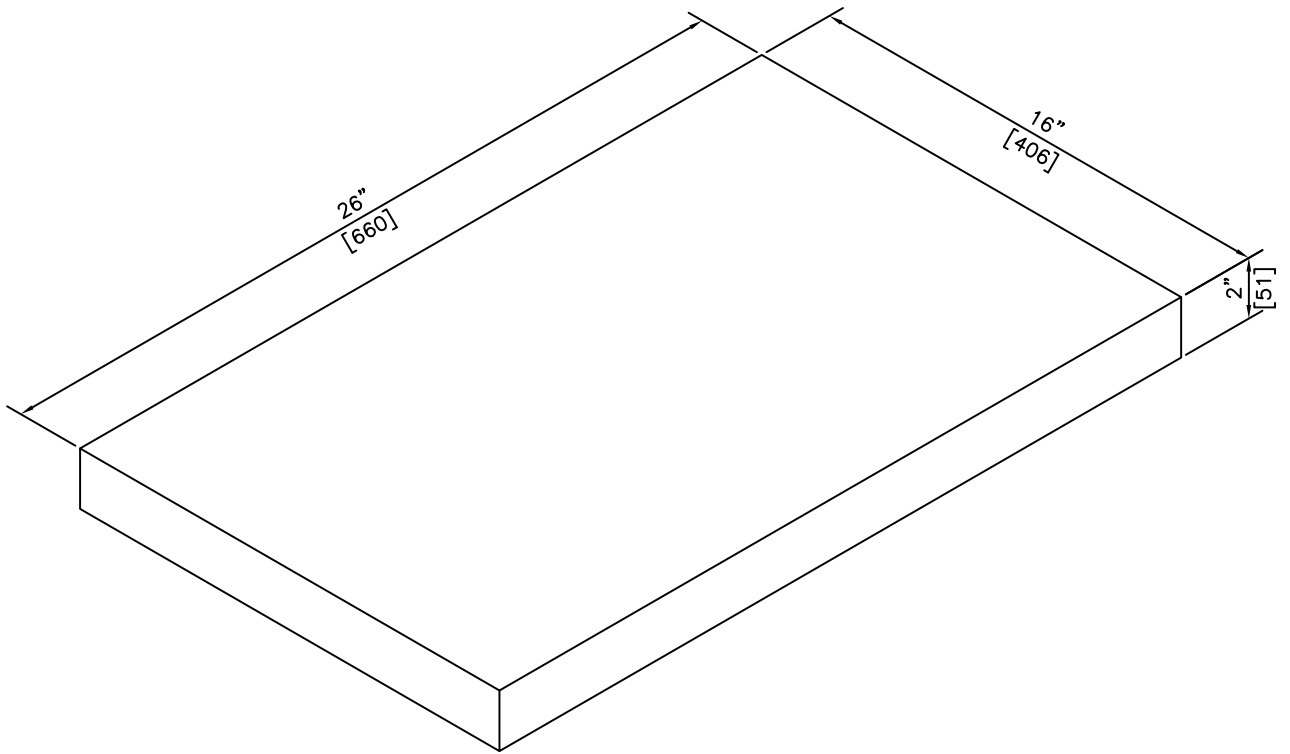
DATE: FEB 14 05

SCALE: NTS

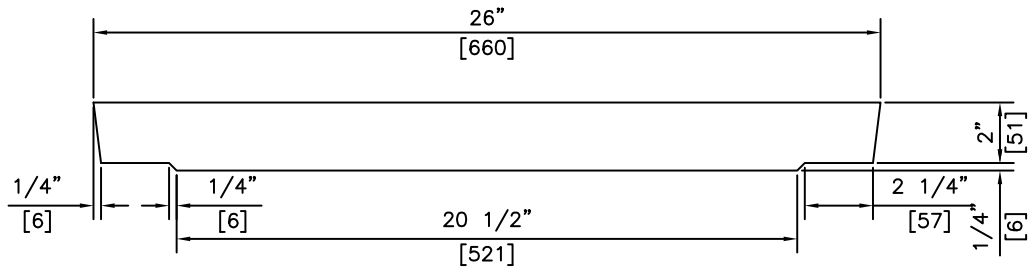
**9 HOLE
DISTRIBUTION
BOX**

ITEM NO.

205



ISOMETRIC




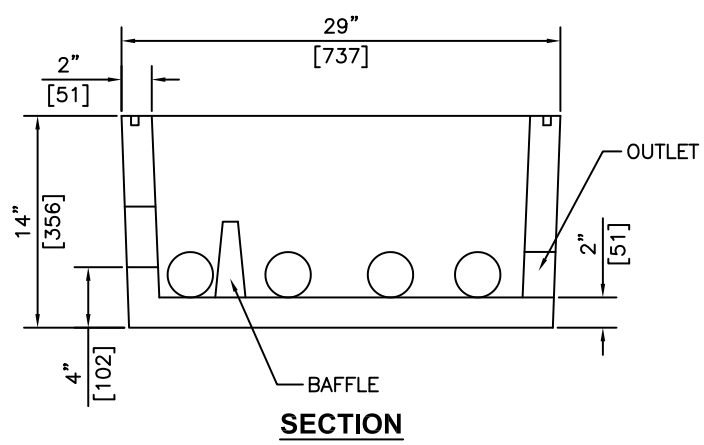
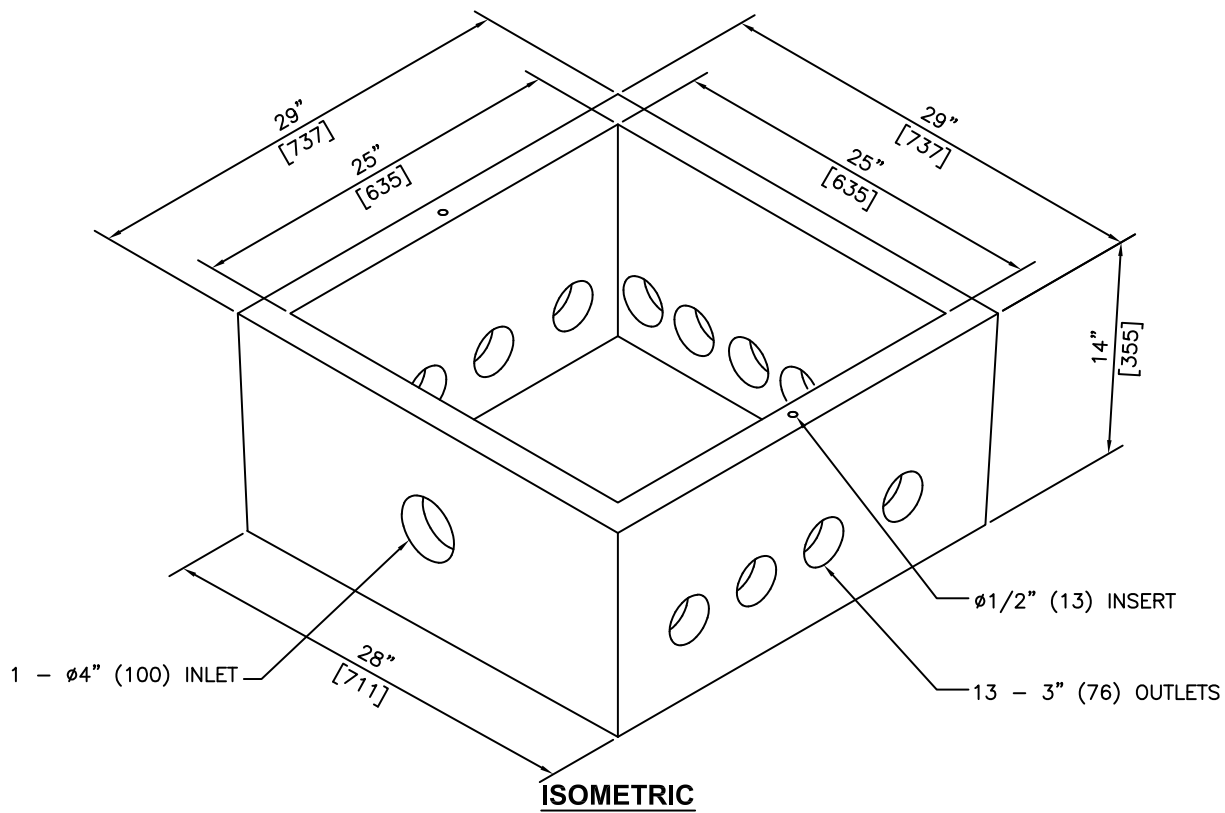
SECTION

NOTES:

1) 25 MPa @ 28 DAYS


REVISED: FEB 14 2005

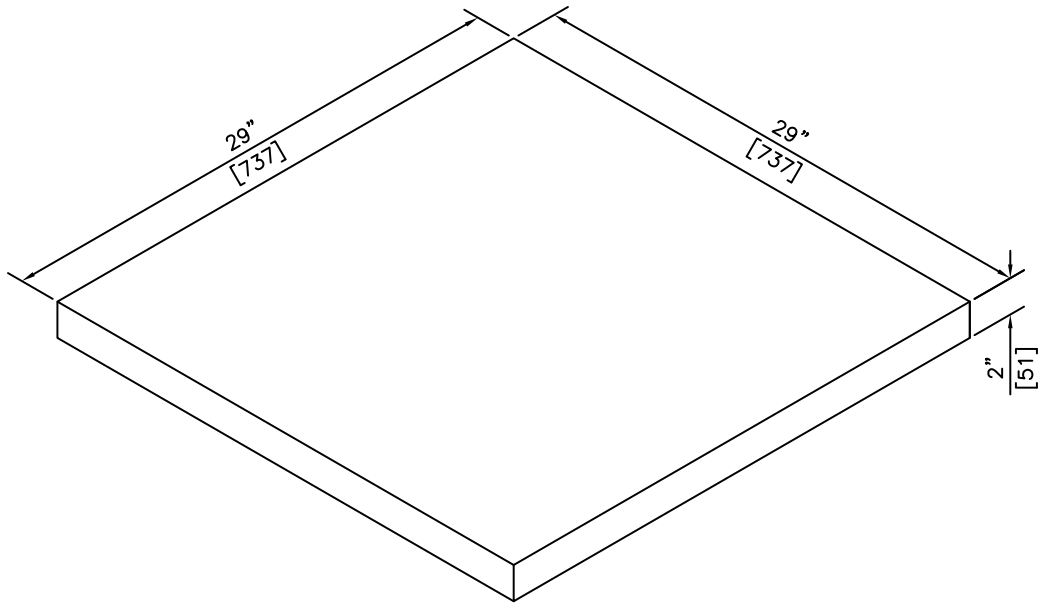
 KON KAST products (2005) Ltd. "Committed To Quality And Service"	3440 UNIVERSITY WAY KELOWNA B.C. V1V 1V9 PH: (250)765-1423 FX: (250)765-0820	BY: PKR DATE: FEB 14 05 SCALE: NTS	9 HOLE DISTRIBUTION BOX LID	ITEM NO. 206



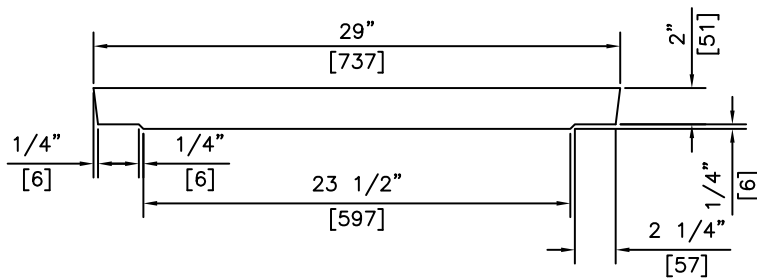
NOTES:
1) 25MPa @ 28 DAYS

REVISED: FEB 14 2005

 KON KAST products (2005) Ltd. "Committed To Quality And Service"	3440 UNIVERSITY WAY KELOWNA B.C. V1V 1V9 PH: (250)765-1423 FX: (250)765-0820	BY: PKR DATE: FEB 14 05 SCALE: NTS	14 HOLE DISTRIBUTION BOX	ITEM NO. 217



ISOMETRIC




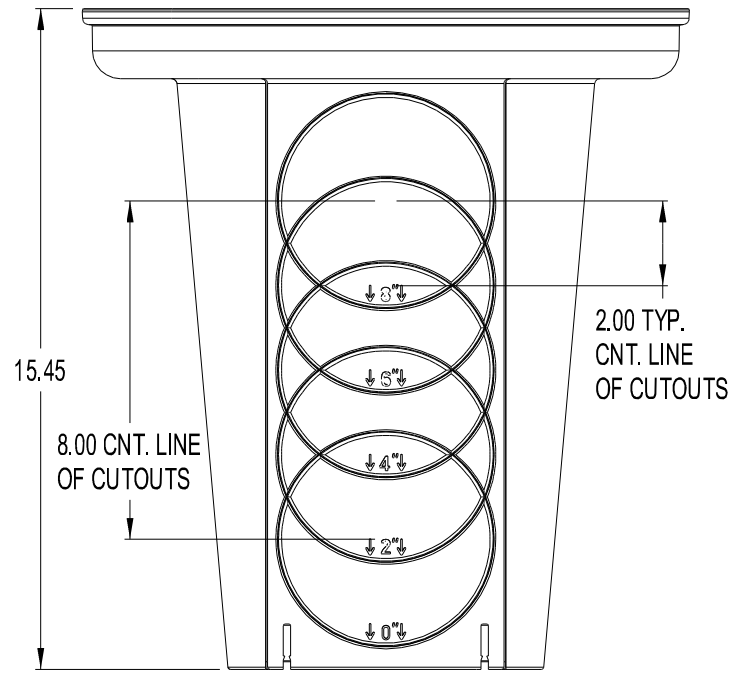
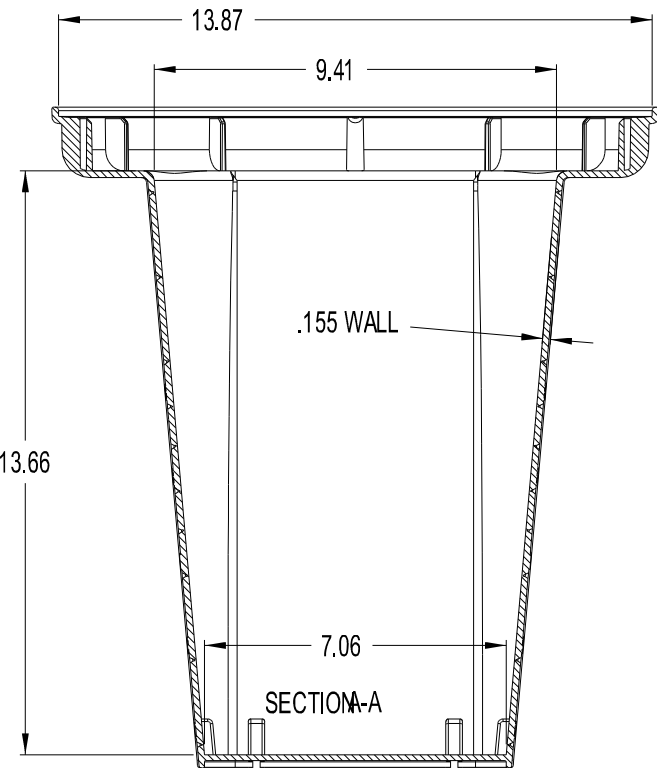
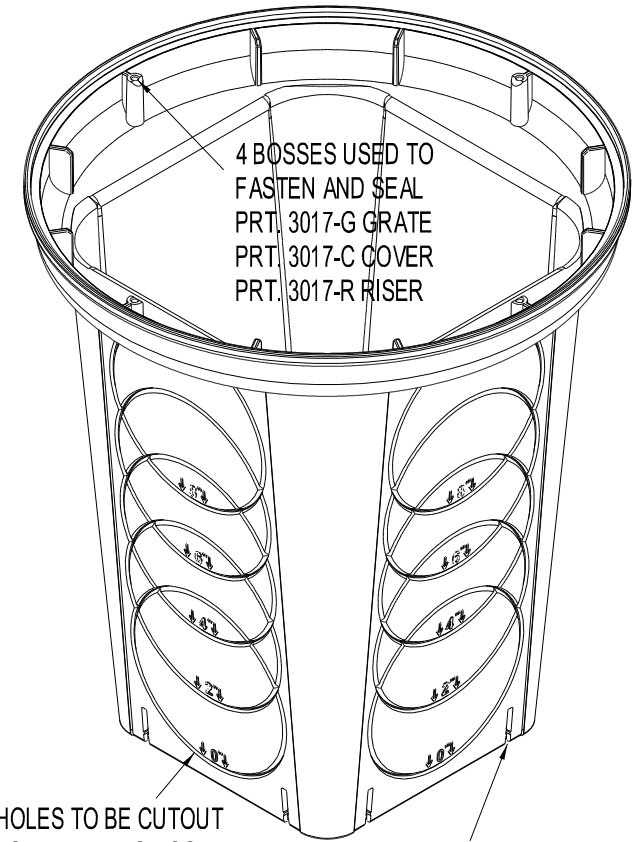
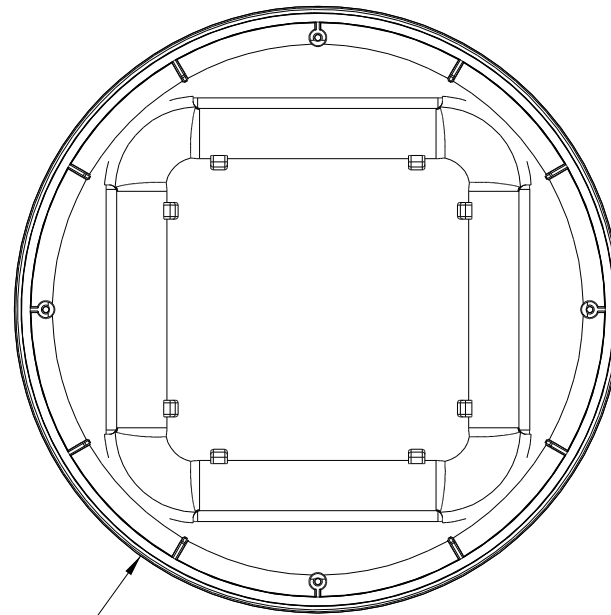
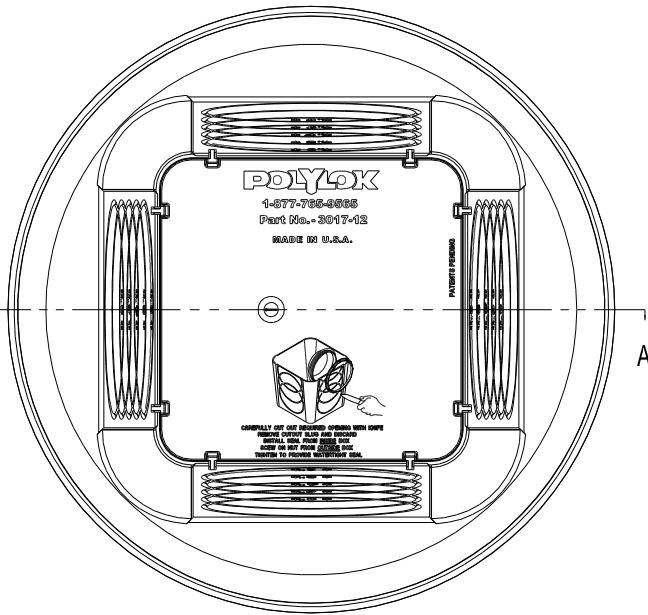
SECTION

NOTES:

1) 25 MPa @ 28 DAYS

REVISED: FEB 14 2005

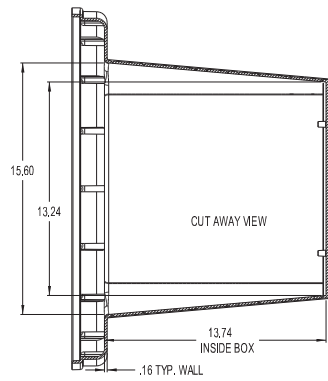
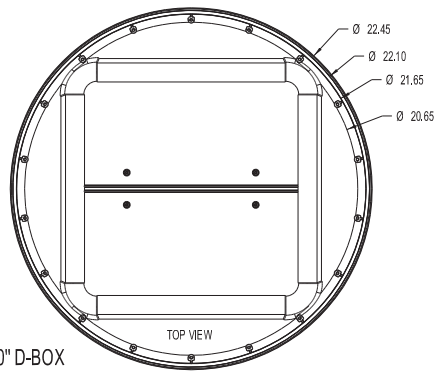
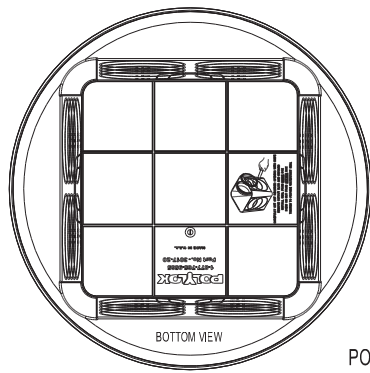
 <p>KON KAST products (2005) Ltd. "Committed To Quality And Service"</p>	<p>3440 UNIVERSITY WAY KELOWNA B.C. V1V 1V9 PH: (250)765-1423 FX: (250)765-0820</p>	<p>BY: PKR DATE: FEB 14 05 SCALE: NTS</p>	<p>14 HOLE DISTRIBUTION BOX LID</p>	<p>ITEM NO. 218</p>



HOLES TO BE CUTOUT
AS NEEDED TO ACCEPT
POLYLOK PRT. 3001
D-BOX SEAL

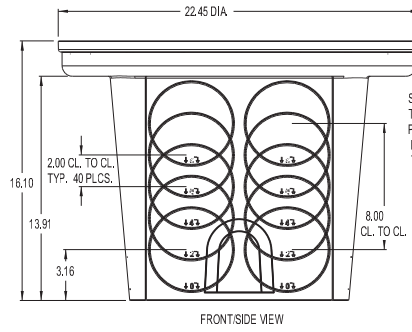
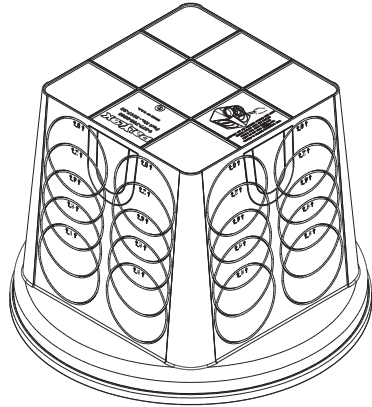
SLOTS TO ACCEPT
4 LEVELING PADS
POLYLOK PRT. 3017-12F

POLYLOK 12" D-BOX
PART NO. - 3017-12
MATERIAL - HDPE



POLYLOK 20" D-BOX
 PART NO. 3017-20
 MATERIAL - HDPE

BOX ACCEPTS:
 LIGHT COVER - PART NO. -3008C
 HEAVY COVER - PART NO.-3017-C20
 GRATE- PART NO.-3017-G20



SIDE CUT OUT
 TO ACCEPT
 POLYLOK SEAL
 PRT. NO.3001
 TYP. 40 PLCS.

CUT OUTS FOR
 VALVE/METER BOX
 CONVERSION

