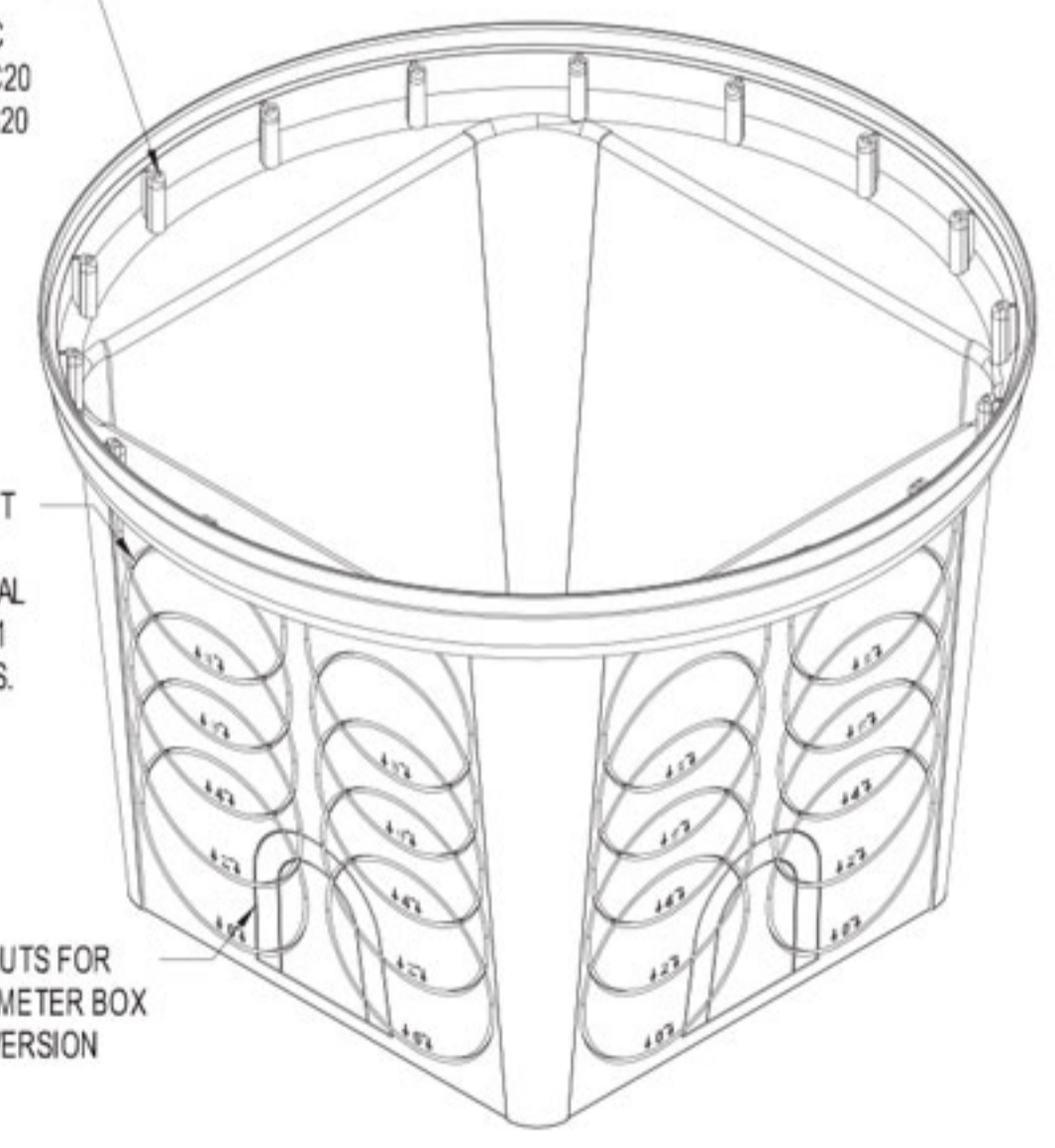
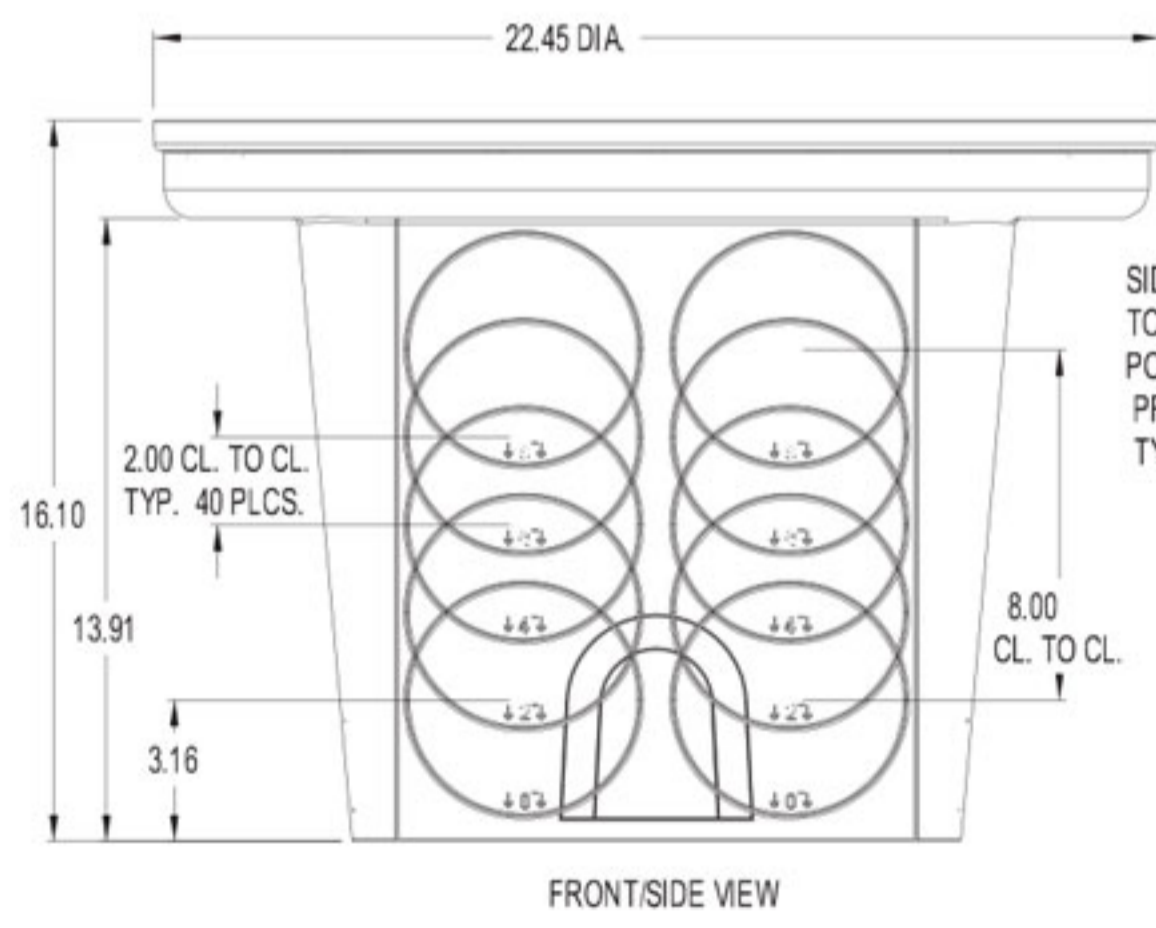
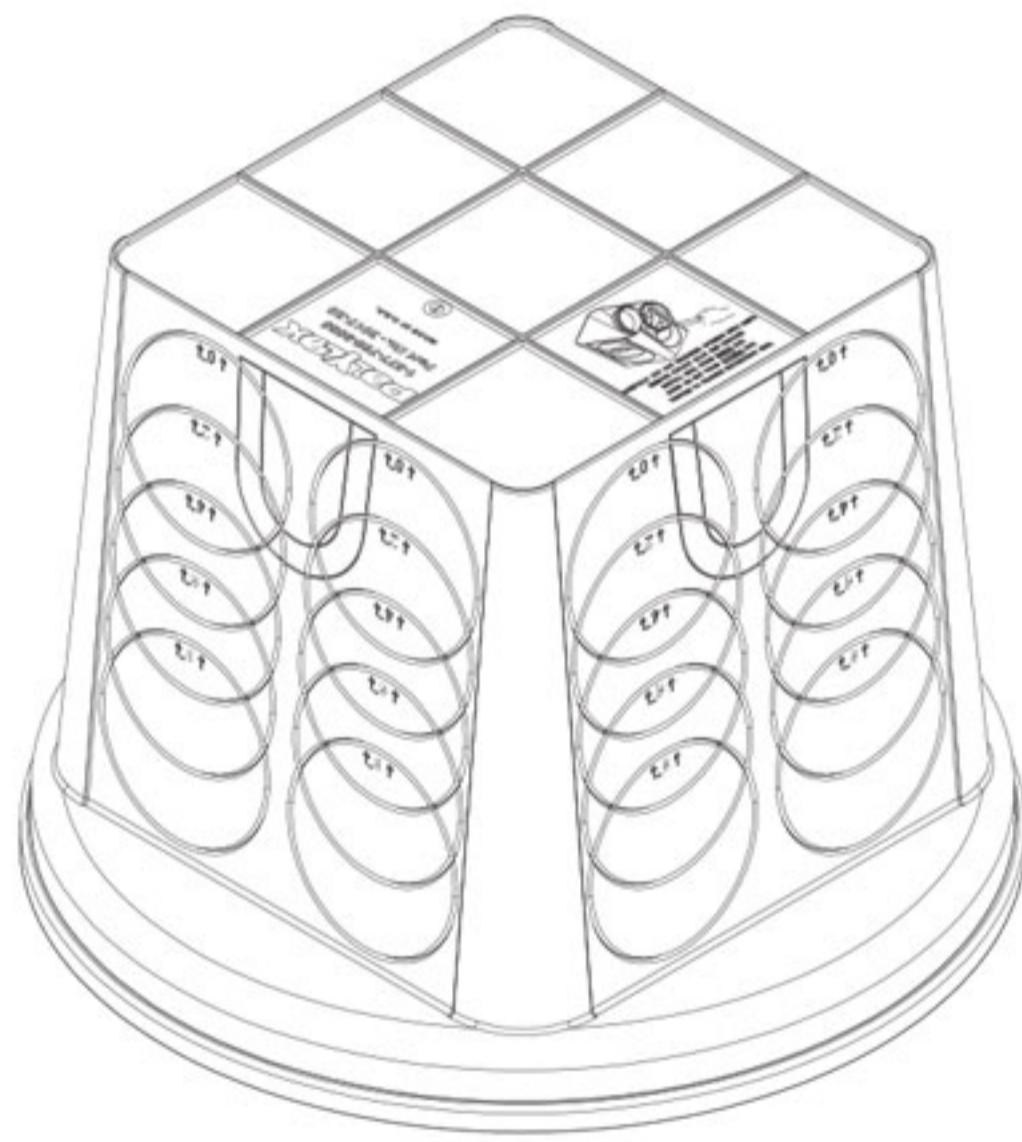


POLYLOK 20" D-BOX
PART NO. 3017-20
MATERIAL - HDPE

BOX ACCEPTS:
LIGHT COVER - PART NO. - 3009C
HEAVY COVER - PART NO. -3017-C20
GRATE- PART NO.-3017-G20



SIDE CUT OUT
TO ACCEPT
POLYLOK SEAL
PRT. NO.3001
TYP. 40 PLCS.

CUT OUTS FOR
VALVE METER BOX
CONVERSION