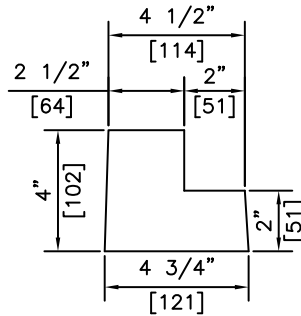


ISOMETRIC



SECTION

| ITEM No. | DESCRIPTION |
|----------|-----------------------------------|
| 901 | AS SHOWN |
| 9012 | 24" LONG, SQ. BOTH ENDS |
| 90122 | 48" LONG, 22 1/2" ANGLE BOTH ENDS |
| 90145 | 48" LONG, 45" ANGLE BOTH ENDS |

NOTES:

1) 25 MPa @ 28 DAYS

REVISED: FEB 15 2005



KON KAST

products (2005) Ltd.
"Committed To Quality And Service"

3440 UNIVERSITY WAY
KELOWNA B.C.
V1V 1V9
PH: (250)765-1423
FX: (250)765-0820

BY: PKR

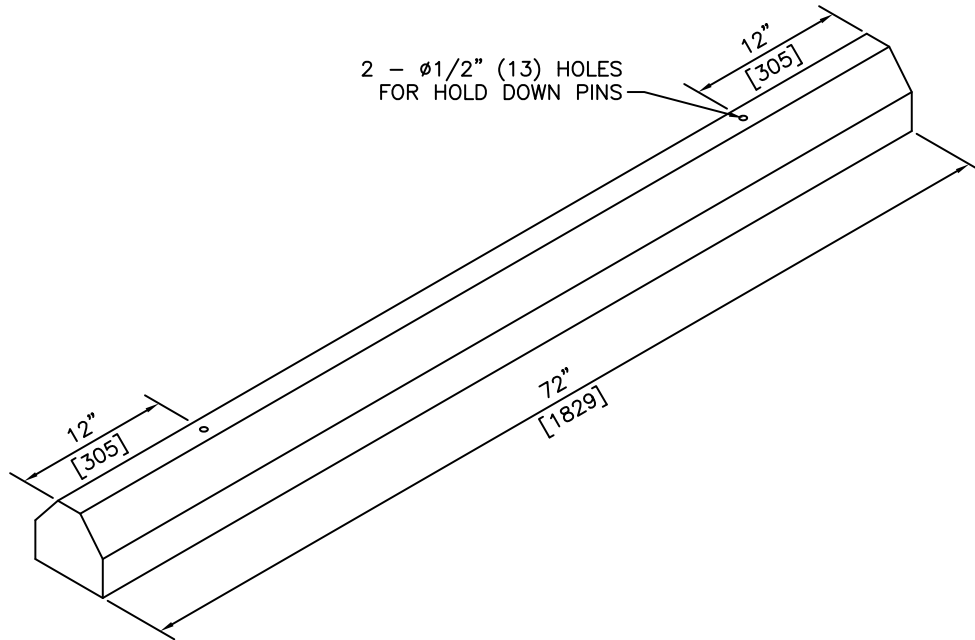
DATE: FEB 15 05

SCALE: NTS

LAWN CURB

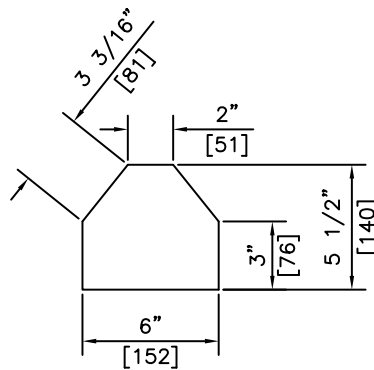
ITEM NO.

901



2 - $\phi 1/2"$ (13) HOLES
FOR HOLD DOWN PINS

ISOMETRIC



SECTION

NOTES:

- 1) 25 MPa @ 28 DAYS
- 2) c/w 10M x 15 1/2" LONG PINS

REVISED: FEB 16 2005



KON KAST
products (2005) Ltd.

"Committed To Quality And Service"

3440 UNIVERSITY WAY
KELOWNA B.C.
V1V 1V9
PH: (250)765-1423
FX: (250)765-0820

BY: BMR

DATE: FEB 16 05

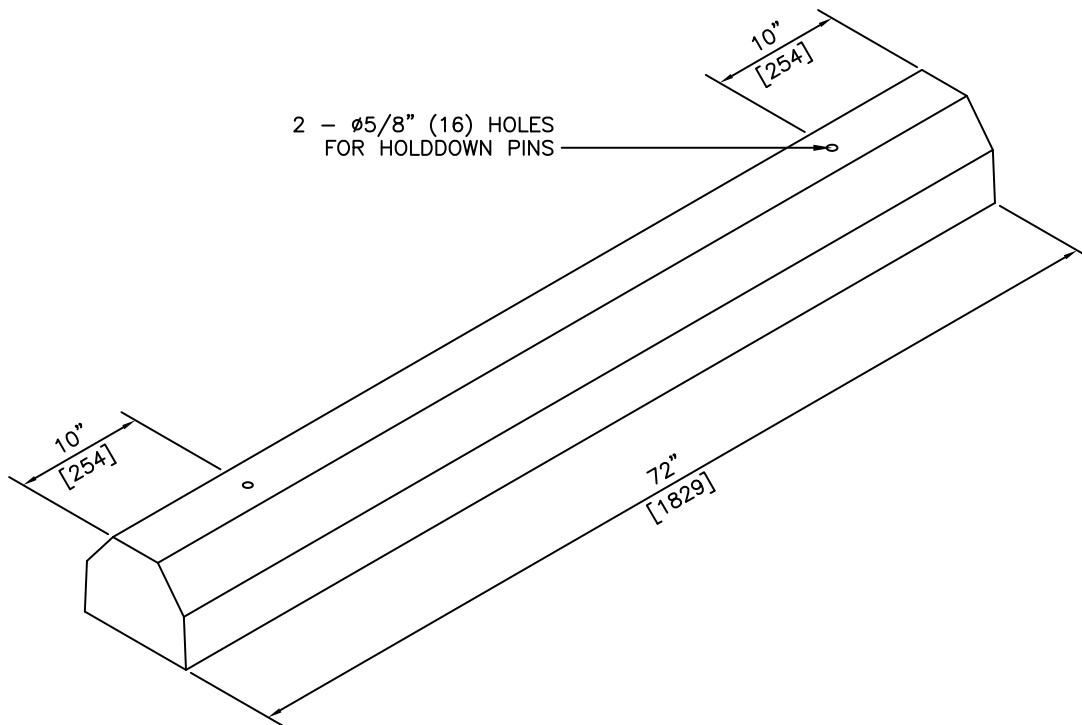
SCALE: NTS

PARKING LOT CURB

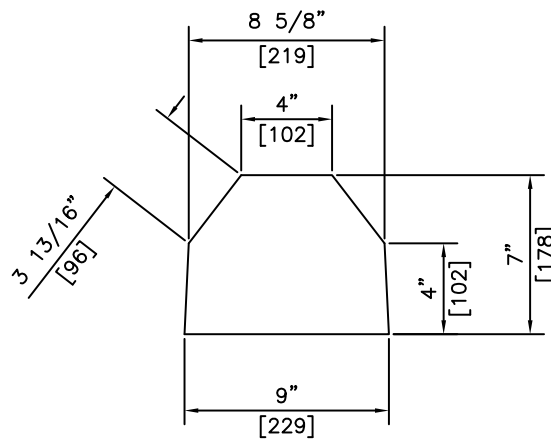
5 1/2" x 6"
(140 x 152)

ITEM NO.

902



ISOMETRIC




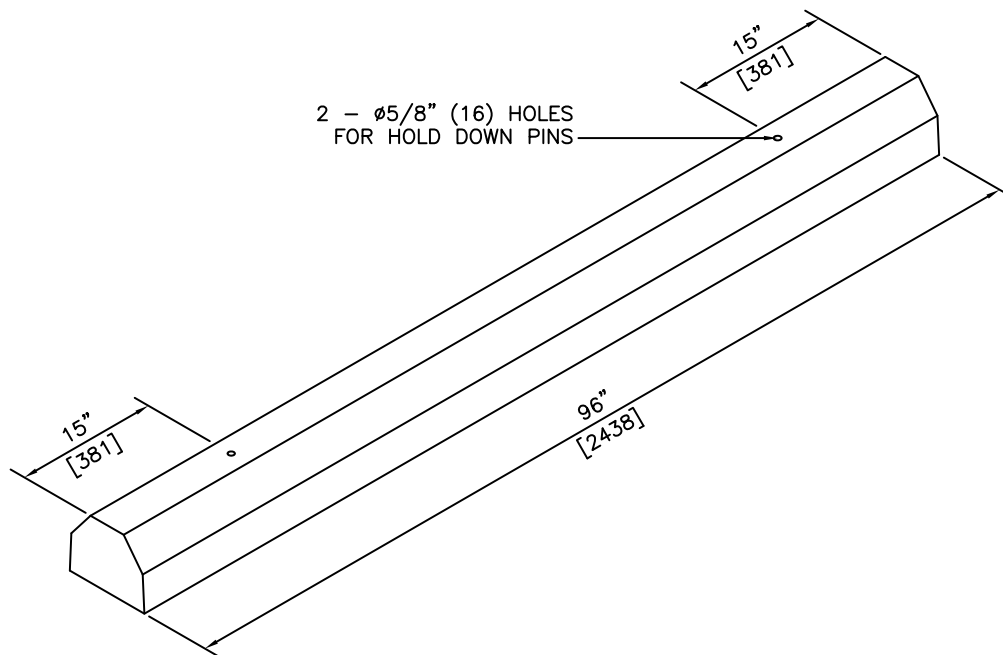
SECTION

NOTES:

- 1) 25 MPa @ 28 DAYS
- 2) c/w 10M x 15 1/2" LONG PINS

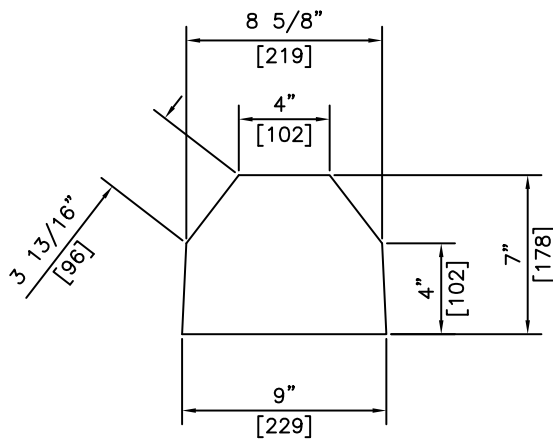
REVISED: FEB 16 2005

| | | | | |
|----------------------------------------------------------------------------------------------------------------------------------------------------------------------------|-----------------------------------------------------------------------------------------------------|-----------------|-------------------------------------------------------------------------|-------------------|
|  <p>KON KAST products (2005) Ltd. "Committed To Quality And Service"</p> | <p>3440 UNIVERSITY WAY KELOWNA B.C. V1V 1V9 PH: (250)765-1423 FX: (250)765-0820</p> | BY: BMR | <p>PARKING LOT CURB 7" x 9" x 72" (178 x 229 x 1829)</p> | ITEM NO. |
| | | DATE: FEB 16 05 | | <p>903</p> |
| | | SCALE: NTS | | |



2 - $\phi 5/8$ " (16) HOLES
FOR HOLD DOWN PINS

ISOMETRIC




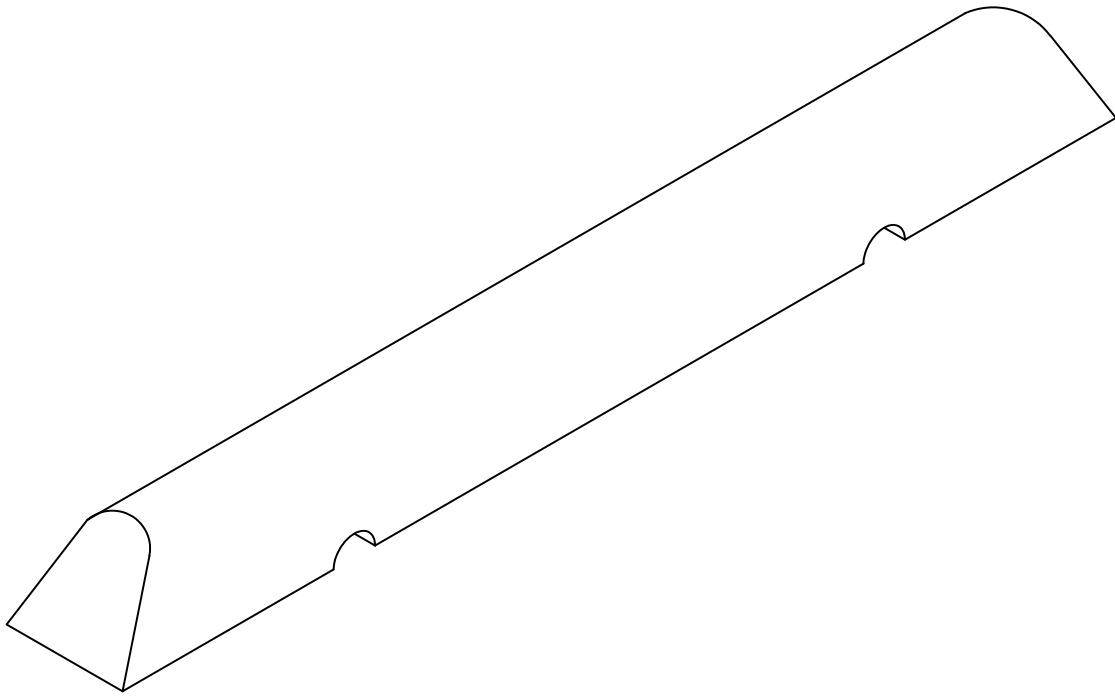
SECTION

NOTES:

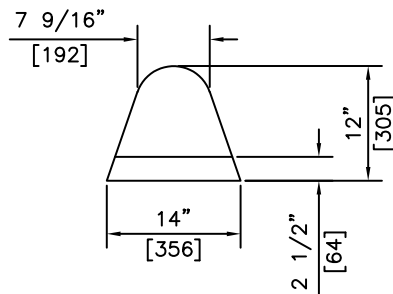
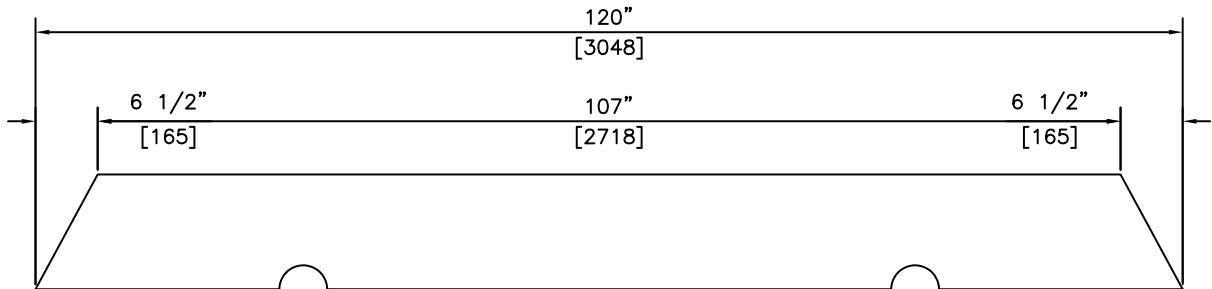
- 1) 25 MPa @ 28 DAYS
- 2) c/w 10M x 15 1/2" LONG PINS

REVISED: FEB 16 2005

| | | | | |
|----------------------------------------------------------------------------------------------------------------------------------------------------------------------------|-----------------------------------------------------------------------------------------------------|-----------------|---------------------------------------------------------------------------------------|-------------------|
|  <p>KON KAST products (2005) Ltd. "Committed To Quality And Service"</p> | <p>3440 UNIVERSITY WAY KELOWNA B.C. V1V 1V9 PH: (250)765-1423 FX: (250)765-0820</p> | BY: BMR | <p>PARKING LOT CURB 7" x 9" x 96" (178 x 229 x 2438)</p> | ITEM NO. |
| | | DATE: FEB 16 05 | | <p>904</p> |
| | | SCALE: NTS | | |



ISOMETRIC



SECTION

NOTES:

1) 27.6 MPa @ 28 DAYS

REVISED: FEB 16 2005



KON KAST

products (2005) Ltd.
"Committed To Quality And Service"

3440 UNIVERSITY WAY
KELOWNA B.C.
V1V 1V9
PH: (250)765-1423
FX: (250)765-0820

BY: BMR

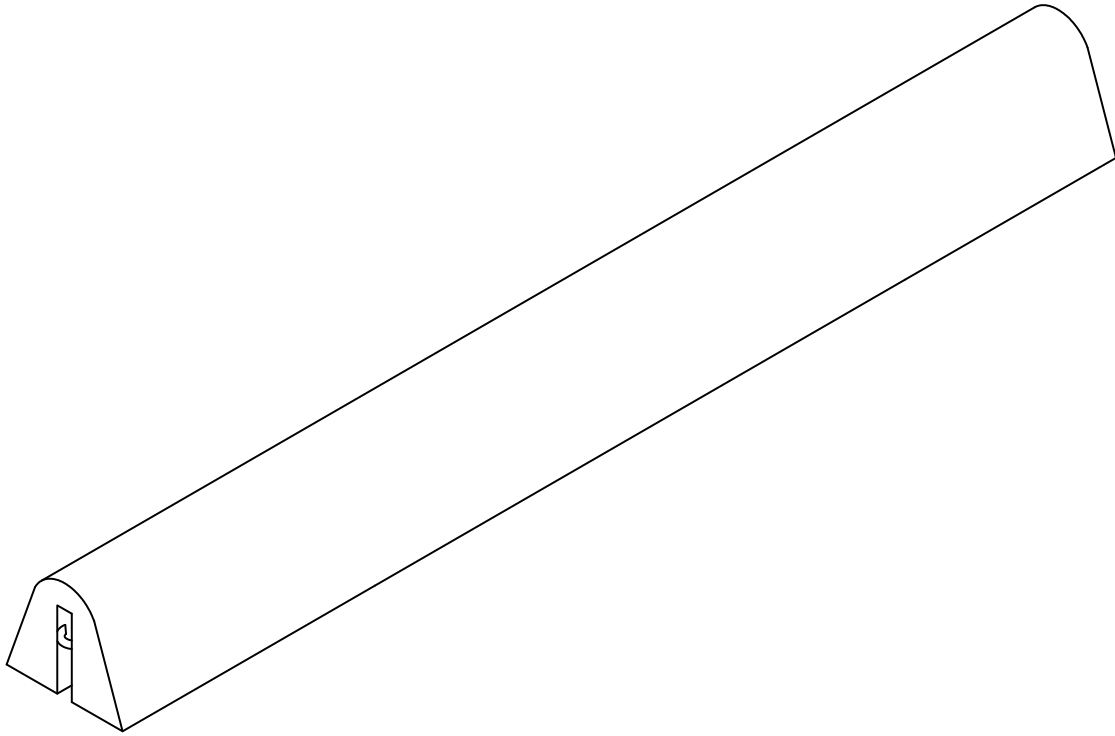
DATE: FEB 16 05

SCALE: NTS

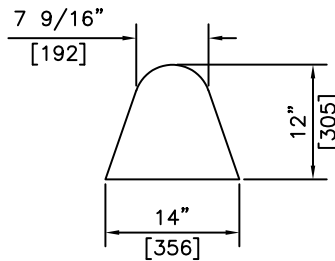
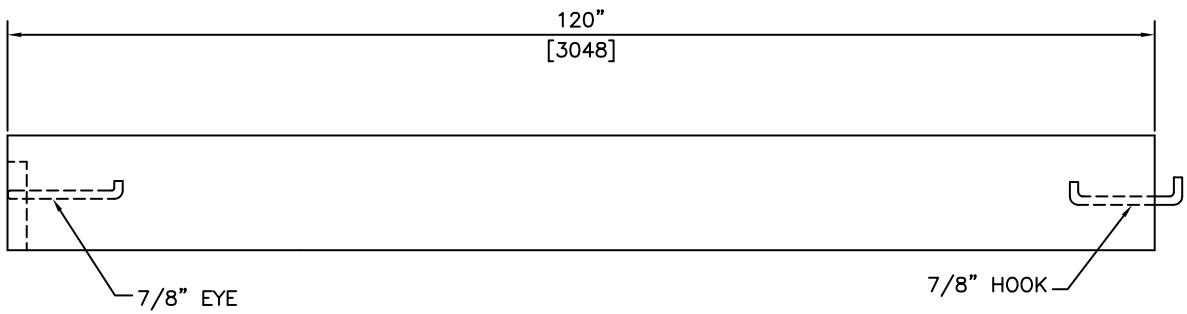
SLANT END CURB

ITEM NO.

906



ISOMETRIC



SECTION

NOTES:

- 1) 30 MPa @ 28 DAYS
- 2) CURB MAY BE PRODUCED WITHOUT HOOK & EYE CONNECTIONS
- 3) 12" HOOK & EYE CURB IS POURED WITH FIBRILATED FIBRE STRAND REINFORCED CONCRETE

REVISED: MAR 9 2006



KON KAST
products (2005) Ltd.

"Committed To Quality And Service"

3440 UNIVERSITY WAY
KELOWNA B.C.
V1V 1V9
PH: (250)765-1423
FX: (250)765-0820

BY: BMR

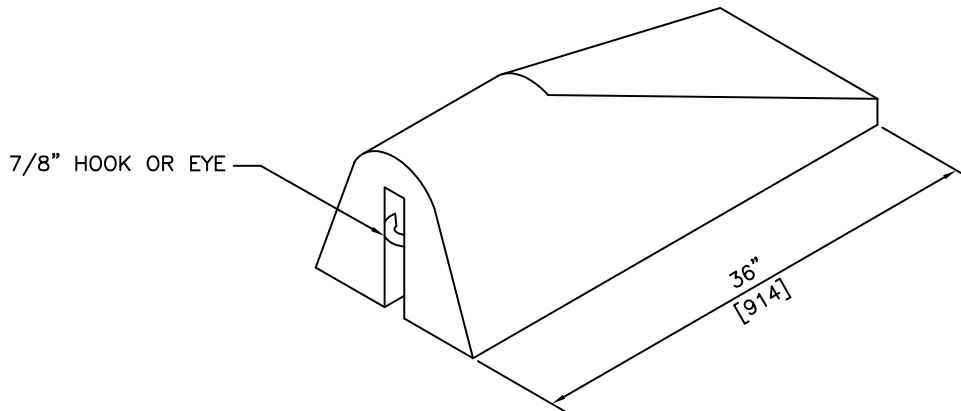
DATE: FEB 16 05

SCALE: NTS

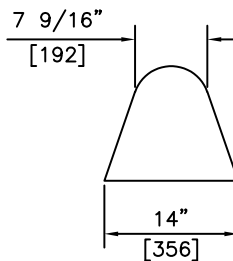
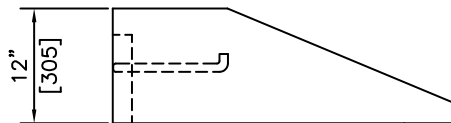
**12" HOOK & EYE
CURB**

ITEM NO.

907



ISOMETRIC



SECTION

NOTES:

- 1) 30 MPa @ 28 DAYS
- 2) CURB MAY BE PRODUCED WITHOUT HOOK & EYE CONNECTIONS
- 3) 12" BULLNOSE POURED WITH FIBRILATED FIBRE STRAND REINFORCED CONCRETE

REVISED: MAR 9 2006



KON KAST
products (2005) Ltd.
"Committed To Quality And Service"

3440 UNIVERSITY WAY
KELOWNA B.C.
V1V 1V9
PH: (250)765-1423
FX: (250)765-0820

BY: BMR

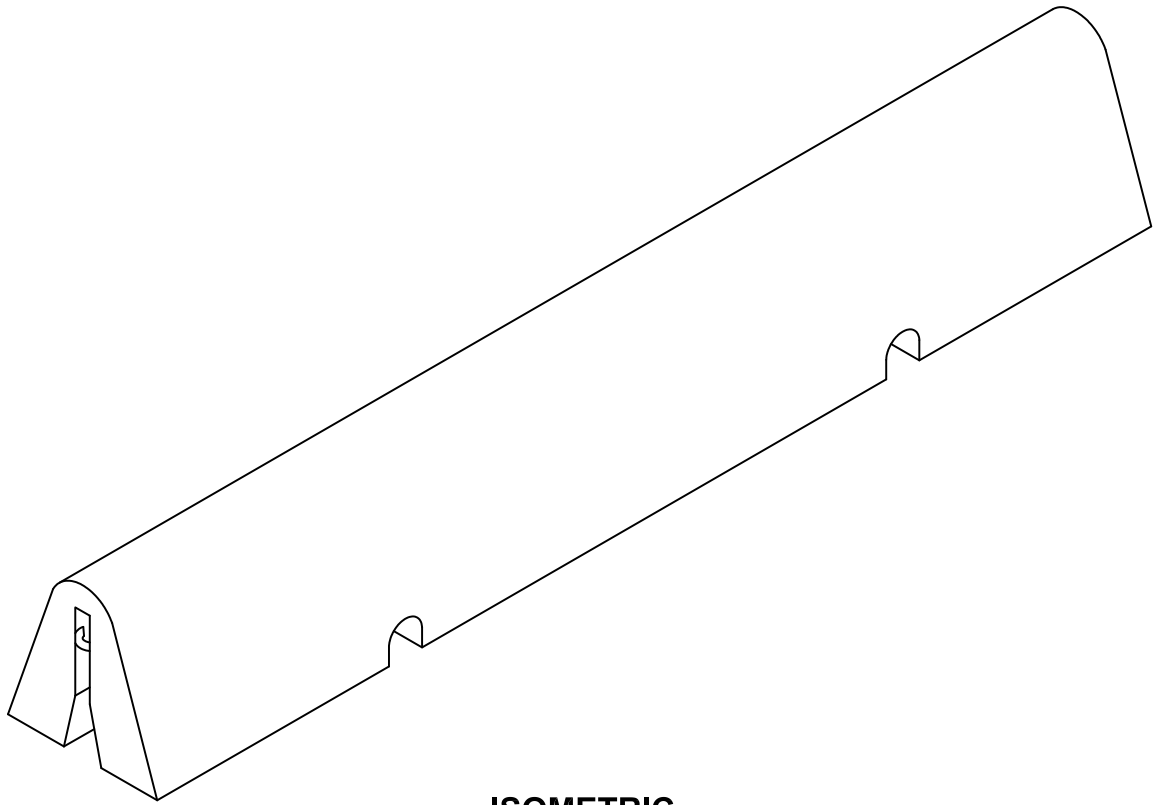
DATE: FEB 18 05

SCALE: NTS

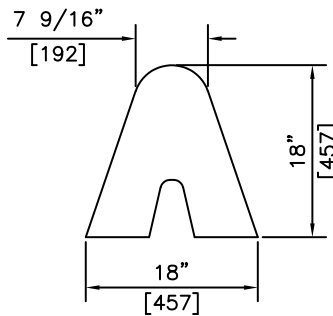
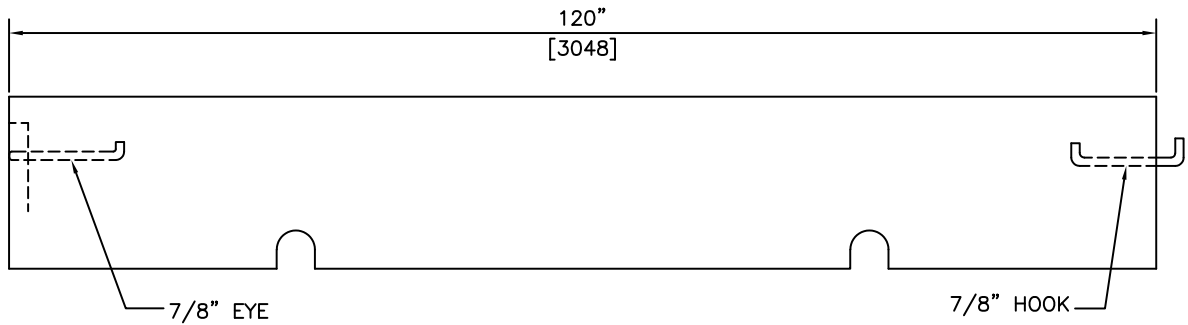
12" BULLNOSE

ITEM NO.

908



ISOMETRIC



SECTION

NOTES:

- 1) 30 MPa @ 28 DAYS
- 2) CURB MAY BE PRODUCED WITHOUT HOOK & EYE CONNECTIONS
- 3) 18" BARRIER IS Poured WITH FIBRILATED FIBRE STRAND REINFORCED CONCRETE

REVISED: FEB 16 2005



KON KAST

products (2005) Ltd.
"Committed To Quality And Service"

3440 UNIVERSITY WAY
KELOWNA B.C.
V1V 1V9
PH: (250)765-1423
FX: (250)765-0820

BY: BMR

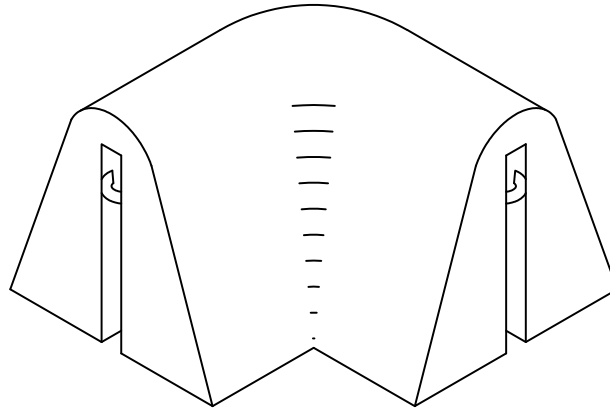
DATE: FEB 16 05

SCALE: NTS

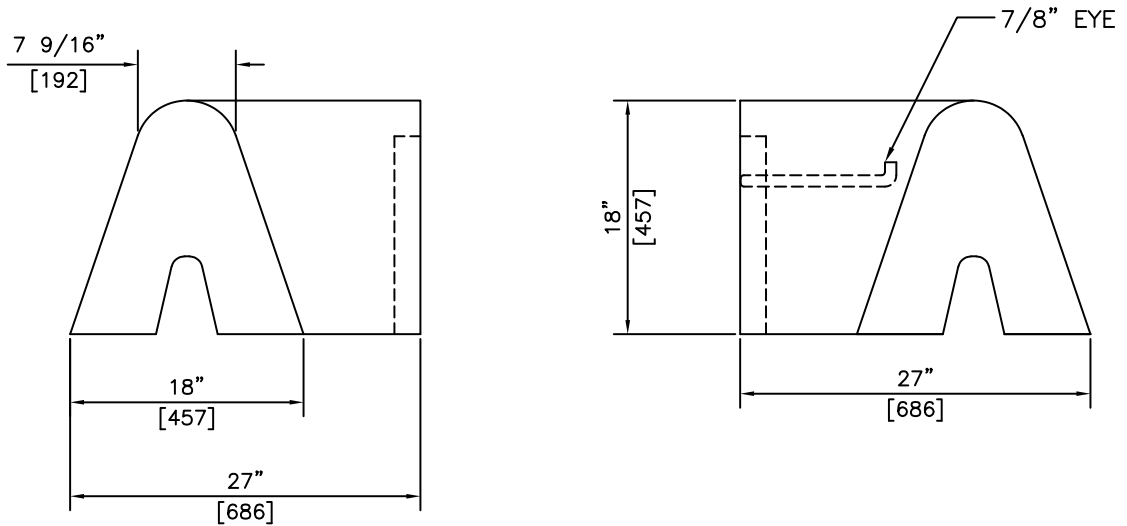
**18" BARRIER
CLB-1**

ITEM NO.

909



ISOMETRIC



SECTIONS

NOTES:

- 1) 30 MPa @ 28 DAYS
- 2) CURB MAY BE PRODUCED WITH HOOK & EYE CONNECTIONS
- 3) 18" BULLNOSE IS Poured WITH FIBRILATED FIBRE STRAND REINFORCED CONCRETE

REVISED: FEB 18 2005



KON KAST

products (2005) Ltd.
"Committed To Quality And Service"

3440 UNIVERSITY WAY
KELOWNA B.C.
V1V 1V9
PH: (250)765-1423
FX: (250)765-0820

BY: BMR

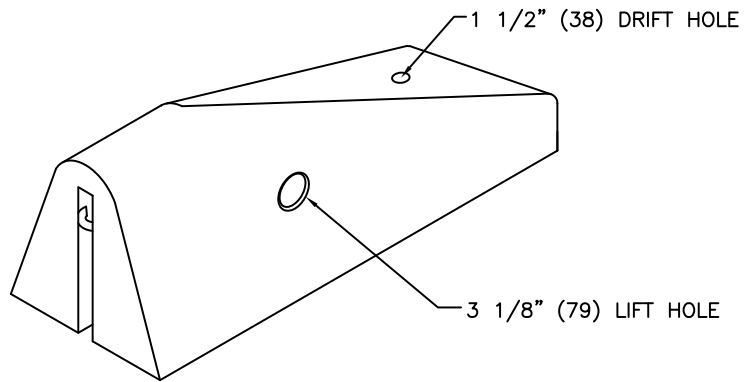
DATE: FEB 16 05

SCALE: NTS

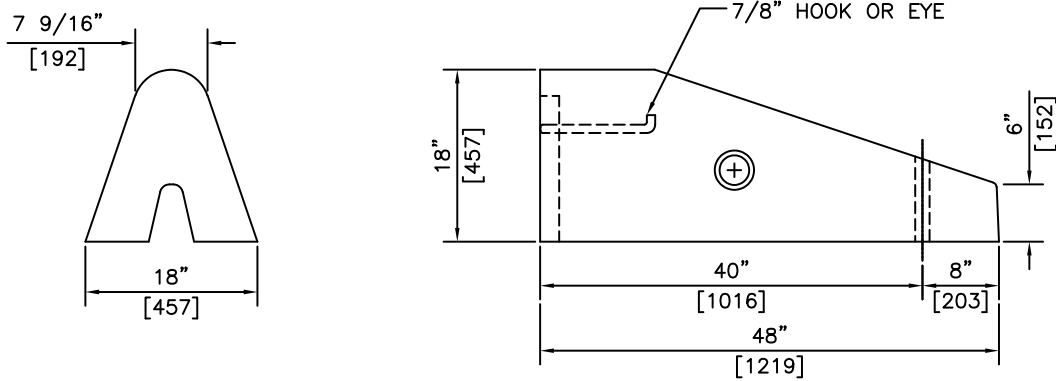
**18" GUARDRAIL
90 DEGREE
CORNER**

ITEM NO.

90990



ISOMETRIC




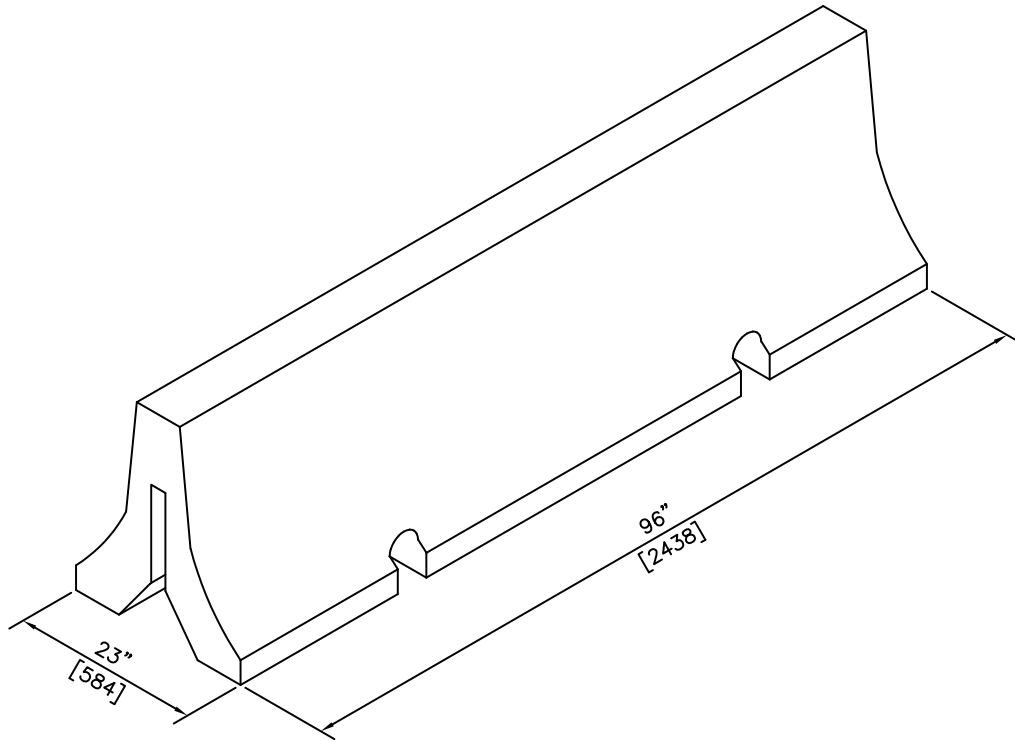
SECTIONS

NOTES:

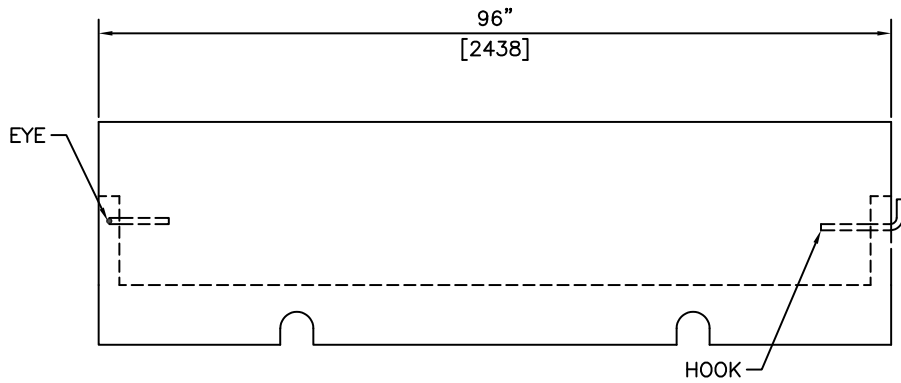
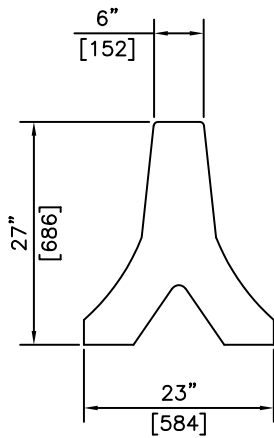
- 1) 30 MPa @ 28 DAYS
- 2) CURB MAY BE PRODUCED WITHOUT HOOK & EYE CONNECTIONS
- 3) 18" BULLNOSE IS POURED WITH FIBRILATED FIBRE STRAND REINFORCED CONCRETE

REVISED: 02-18-05

| | | | | |
|----------------------------------------------------------------------------------------------------------------------------------------------------------------------------|-----------------------------------------------------------------------------------------------------|-----------------|-----------------------------------------------------------------------|-------------------|
|  <p>KON KAST products (2005) Ltd. "Committed To Quality And Service"</p> | <p>3440 UNIVERSITY WAY KELOWNA B.C. V1V 1V9 PH: (250)765-1423 FX: (250)765-0820</p> | BY: BMR | <p>18" BULLNOSE CBN-1 MALE OR FEMALE</p> | ITEM NO. |
| | | DATE: FEB 16 05 | | <p>910</p> |
| | | SCALE: NTS | | |



ISOMETRIC




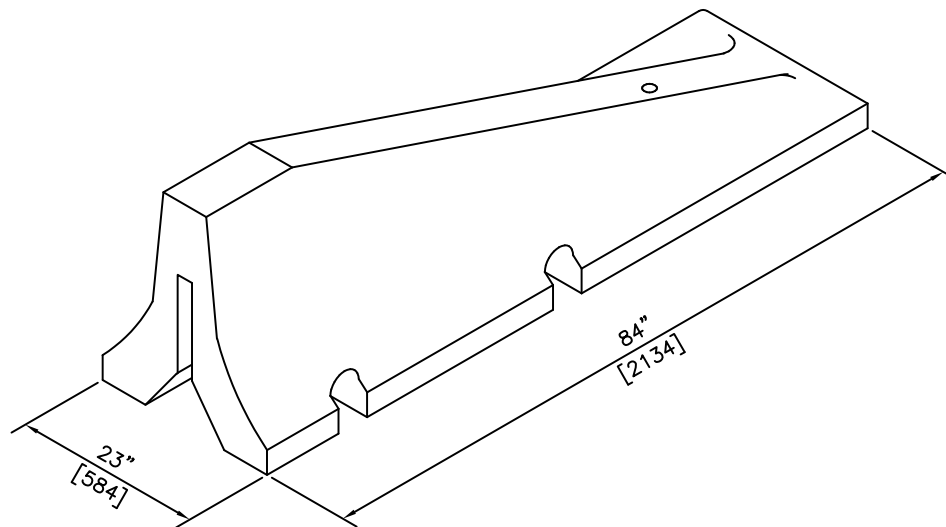
SECTIONS

NOTES:

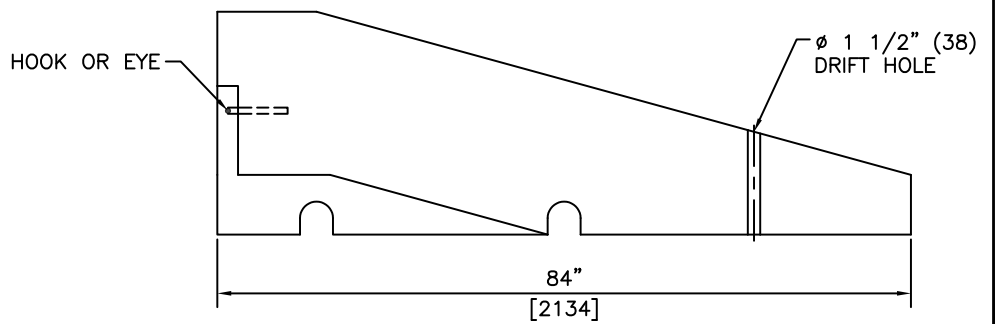
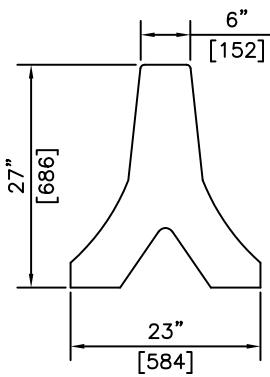
- 1) 30 MPa @ 28 DAYS
- 2) FIBRILATED FIBRE STRAND REINFORCED CONCRETE

REVISED: MAR 31 2006

| | | | | |
|----------------------------------------------------------------------------------------------------------------------------------------------------------------------------|-----------------------------------------------------------------------------------------------------|-----------------|----------------------------------------------------------------------------|-------------------|
|  <p>KON KAST products (2005) Ltd. "Committed To Quality And Service"</p> | <p>3440 UNIVERSITY WAY KELOWNA B.C. V1V 1V9 PH: (250)765-1423 FX: (250)765-0820</p> | BY: PKR | <p>27" (686mm) GUARDRAIL (JERSEY BARRIER)</p> | ITEM NO. |
| | | DATE: FEB 24 05 | | <p>911</p> |
| | | SCALE: NTS | | |



ISOMETRIC




SECTIONS

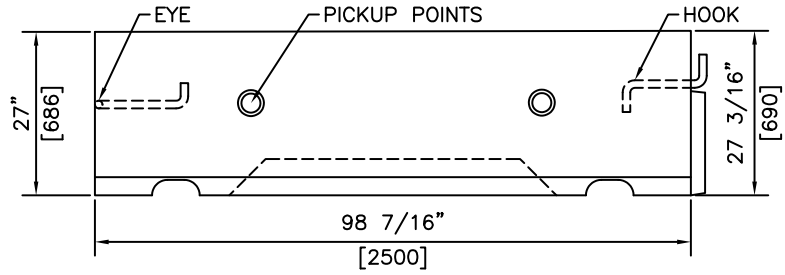
NOTES:

- 1) 30MPa @ 28 DAYS
- 2) FIBRILATED FIBRE STRAND REINFORCED CONCRETE

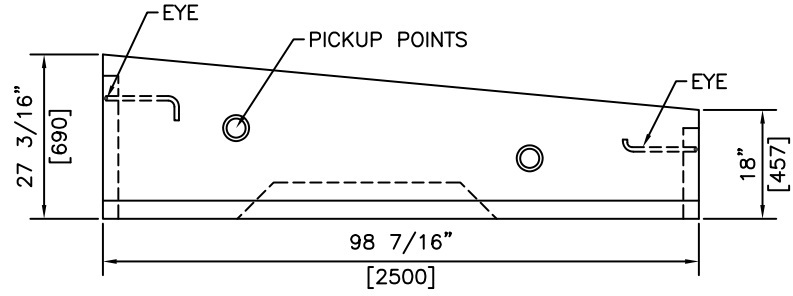
REVISED: MAR 9 2006

| | | | | |
|----------------------------------------------------------------------------------------------------------------------------------------------------------------------------|-----------------------------------------------------------------------------------------------------|-----------------|----------------------------|-------------------|
|  <p>KON KAST products (2005) Ltd. "Committed To Quality And Service"</p> | <p>3440 UNIVERSITY WAY KELOWNA B.C. V1V 1V9 PH: (250)765-1423 FX: (250)765-0820</p> | BY: PKR | <p>27" BULLNOSE</p> | ITEM NO. |
| | | DATE: FEB 24 05 | | <p>912</p> |
| | | SCALE: NTS | | |

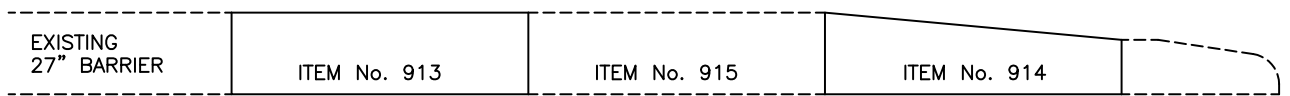
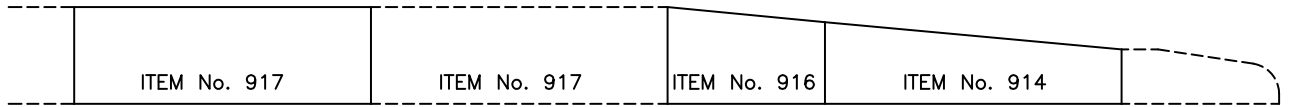
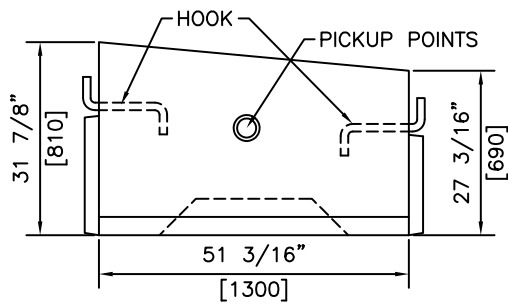
ITEM No. 913
CTB-3



ITEM No. 914
CTB-1




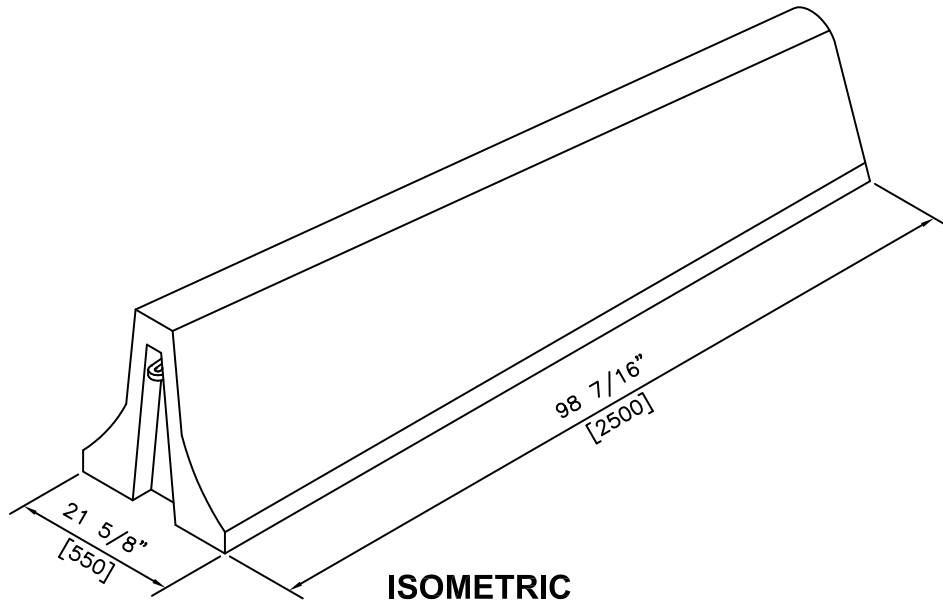
ITEM No. 916
CTB-2



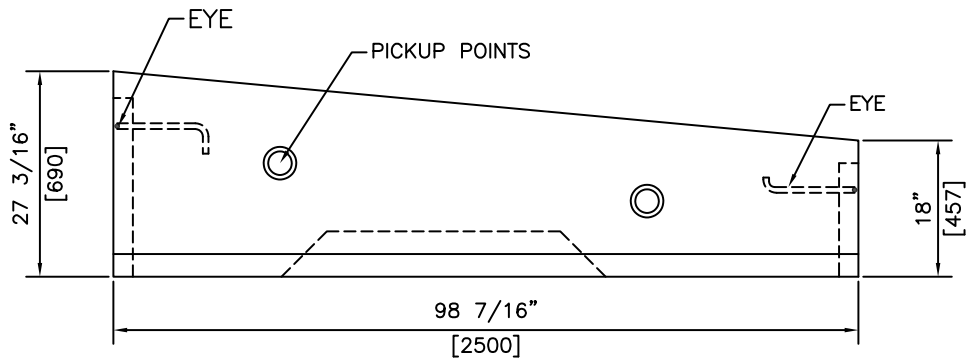
NOTES:
1) 30MPa @ 28 DAYS

REVISED: FEB 24 2005

| | | | | |
|-------------------------------------------------------------------------------------------------------------------------------------------------------------------|------------------------------------------------------------------------------------------|------------------------------------------|---------------------------------------------|--------------------------------|
|  KON KAST products (2005) Ltd. "Committed To Quality And Service" | 3440 UNIVERSITY WAY KELOWNA B.C. V1V 1V9 PH: (250)765-1423 FX: (250)765-0820 | BY: PKR DATE: FEB 24 05 SCALE: NTS | CONCRETE TRANSITION BARRIERS | ITEM NO. 913 914 916 |
| | | | | |
| | | | | |



ISOMETRIC




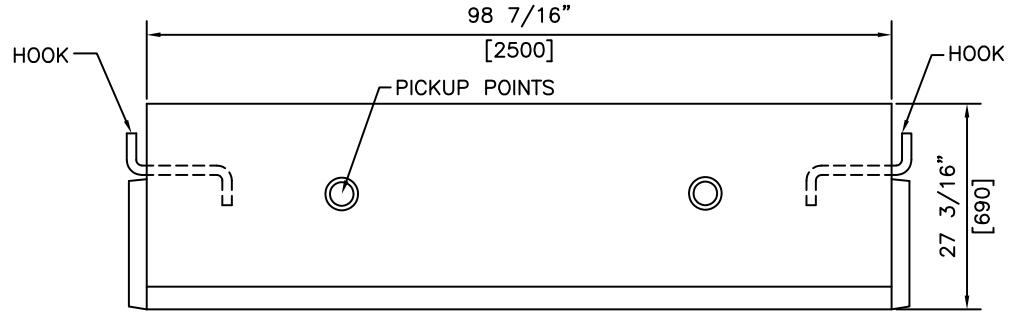
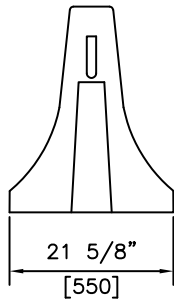
SECTION

NOTES:

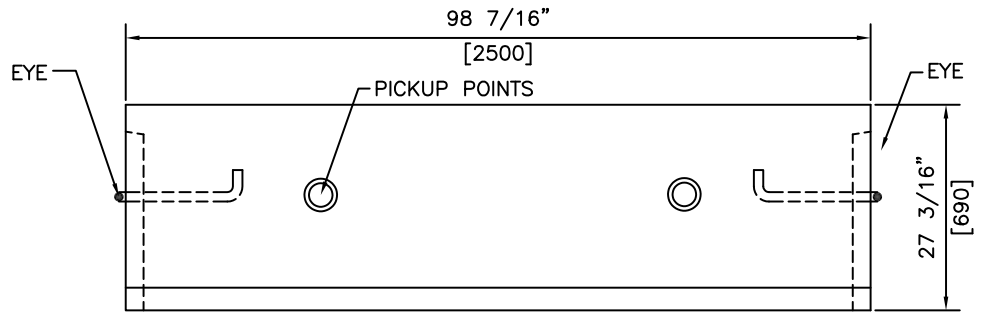
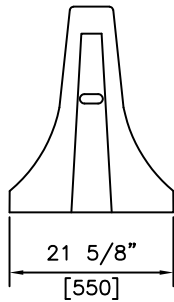
- 1) 30MPa @ 28 DAYS
- 2) FIBRILATED FIBRE STRAND REINFORCED CONCRETE

REVISED: MAR 9 2006

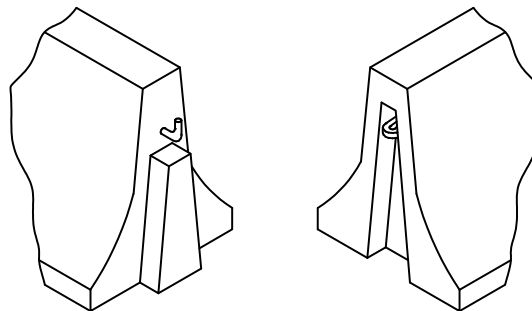
| | | | | |
|----------------------------------------------------------------------------------------------------------------------------------------------------------------------------|-----------------------------------------------------------------------------------------------------|-----------------|--------------------------------------------------------------|-------------------|
|  <p>KON KAST products (2005) Ltd. "Committed To Quality And Service"</p> | <p>3440 UNIVERSITY WAY KELOWNA B.C. V1V 1V9 PH: (250)765-1423 FX: (250)765-0820</p> | BY: PKR | <p>CTB-1 TRANSITION BARRIER</p> | ITEM NO. |
| | | DATE: FEB 24 05 | | <p>914</p> |
| | | SCALE: NTS | | |



MALE BARRIER



FEMALE BARRIER




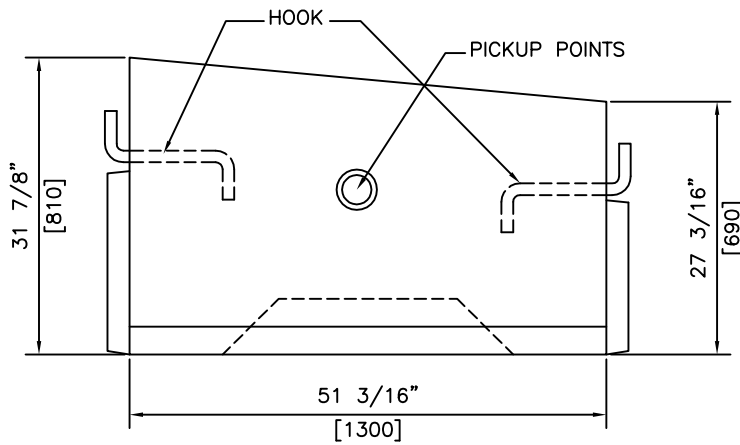
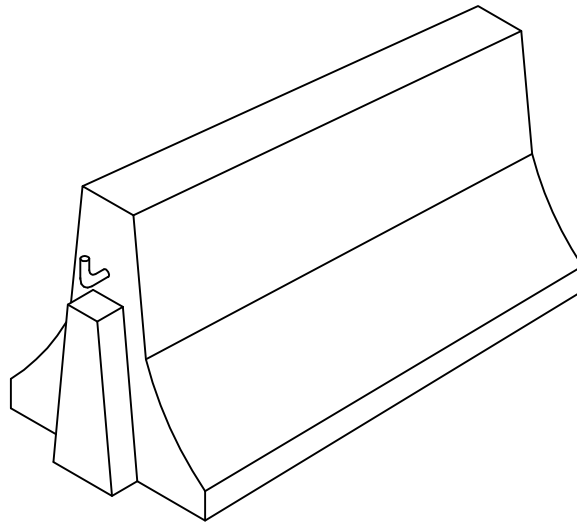
DETAILS

NOTES:

- 1) 30MPa @ 28 DAYS
- 2) FIBRILATED FIBRE STRAND REINFORCED CONCRETE

REVISED: MAY 3 2006


| | | | | |
|----------------------------------------------------------------------------------------------------------------------------------------------------------------------------|-----------------------------------------------------------------------------------------------------|-----------------|--------------------------------------------------------------------------------|-------------------|
|  <p>KON KAST products (2005) Ltd. "Committed To Quality And Service"</p> | <p>3440 UNIVERSITY WAY KELOWNA B.C. V1V 1V9 PH: (250)765-1423 FX: (250)765-0820</p> | BY: PKR | <p>ROADSIDE BARRIER CRB-690 MALE & FEMALE</p> | ITEM NO. |
| | | DATE: FEB 24 05 | | <p>915</p> |
| | | SCALE: NTS | | |

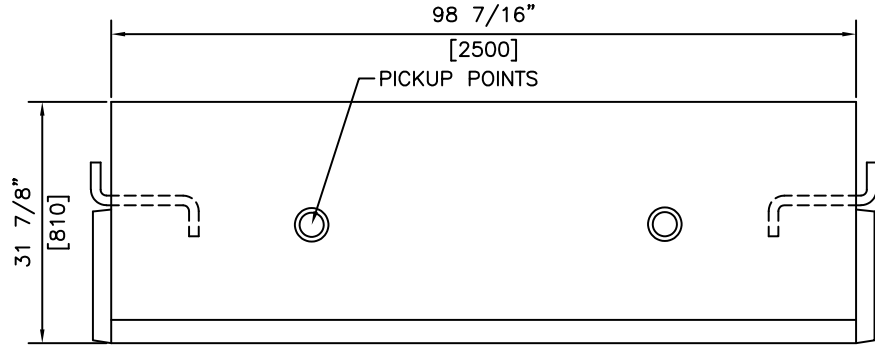
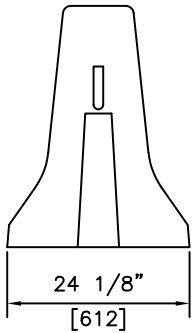


NOTES:

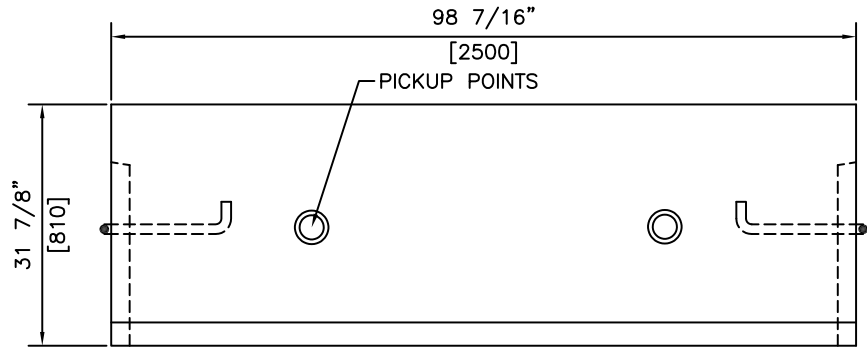
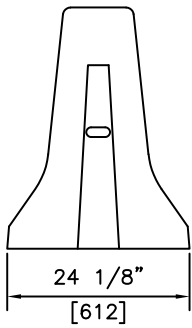
1) 30MPa @ 28 DAYS

REVISED: MAR 17 2010

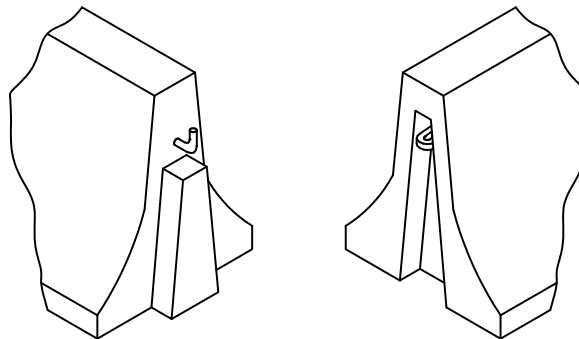
| | | | | |
|----------------------------------------------------------------------------------------------------------------------------------------------------------------------------|-----------------------------------------------------------------------------------------------------|-----------------|--------------------------------------------------|-------------------|
|  <p>KON KAST products (2005) Ltd. "Committed To Quality And Service"</p> | <p>3440 UNIVERSITY WAY KELOWNA B.C. V1V 1V9 PH: (250)765-1423 FX: (250)765-0820</p> | BY: PKR | <p>CTB-2H TRANSITION BARRIERS</p> | ITEM NO. |
| | | DATE: MAR 17 10 | | <p>916</p> |
| | | SCALE: NTS | | |



MALE BARRIER



FEMALE BARRIER




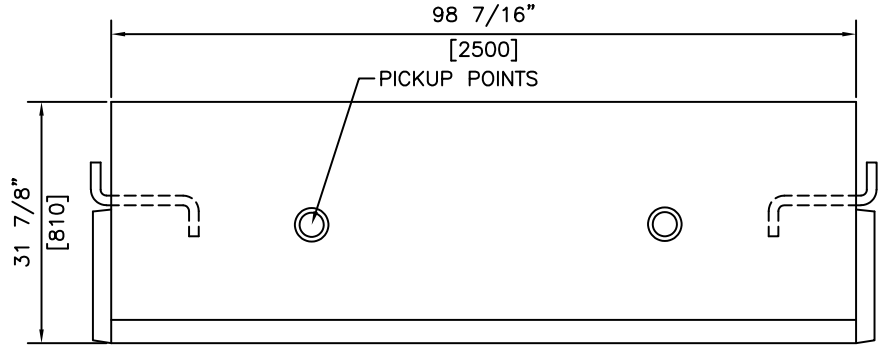
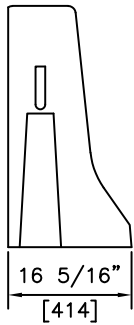
DETAILS

NOTES:

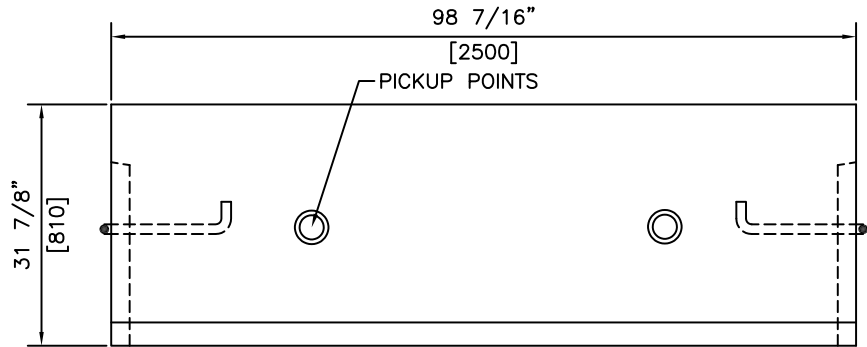
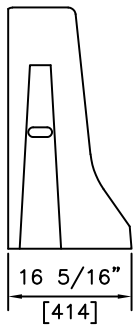
- 1) 30 MPa @ 28 DAYS
- 2) FIBRILATED FIBRE STRAND REINFORCED CONCRETE

REVISED: MAY 3 2006

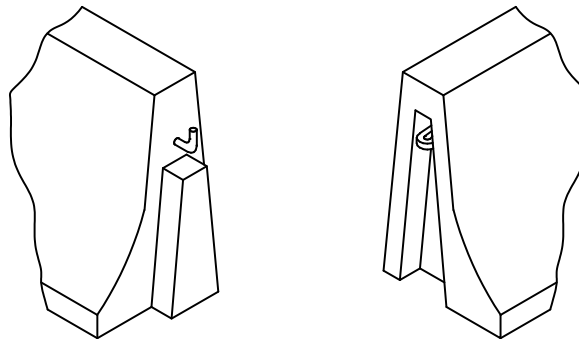
| | | | | |
|----------------------------------------------------------------------------------------------------------------------------------------------------------------------------|-----------------------------------------------------------------------------------------------------|-----------------|------------------------------------------------------------------------------|-------------------|
|  <p>KON KAST products (2005) Ltd. "Committed To Quality And Service"</p> | <p>3440 UNIVERSITY WAY KELOWNA B.C. V1V 1V9 PH: (250)765-1423 FX: (250)765-0820</p> | BY: PKR | <p>MEDIAN BARRIER CMB-810 MALE & FEMALE</p> | ITEM NO. |
| | | DATE: FEB 24 05 | | <p>917</p> |
| | | SCALE: NTS | | |



MALE BARRIER



FEMALE BARRIER




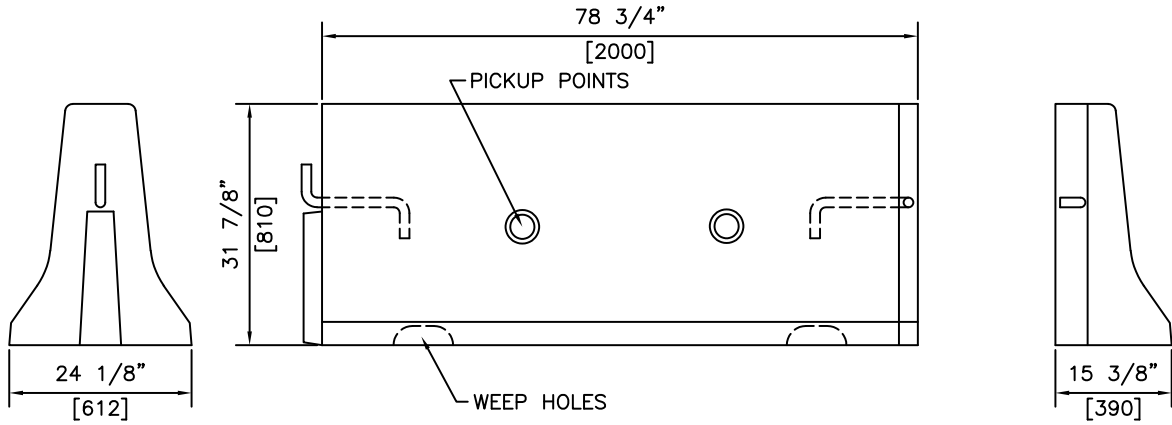
DETAILS

NOTES:

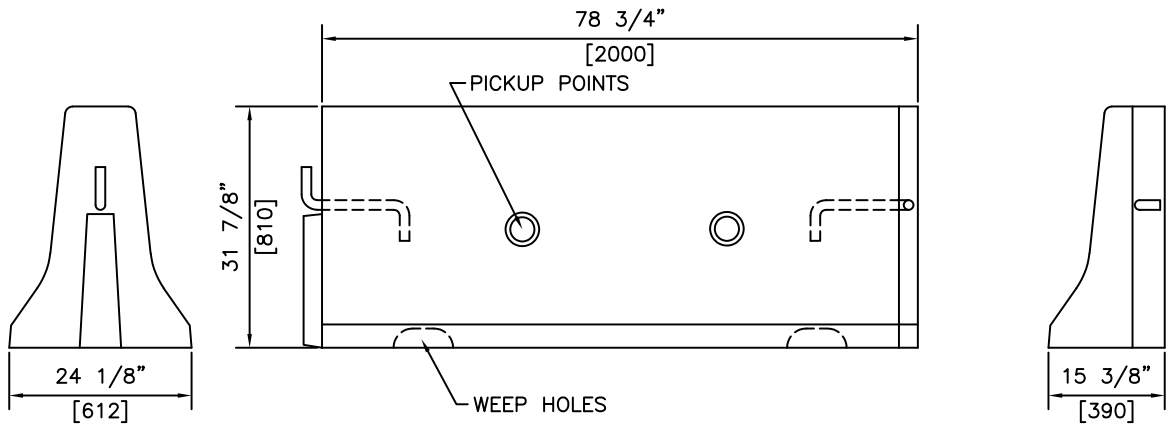
- 1) 30 MPa @ 28 DAYS
- 2) FIBRILLATED FIBRE STRAND REINFORCED CONCRETE

REVISED: MAY 3 2006

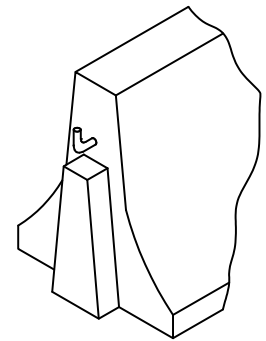
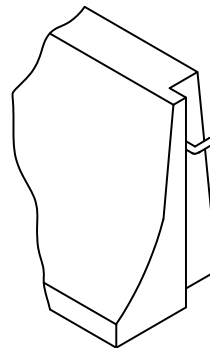
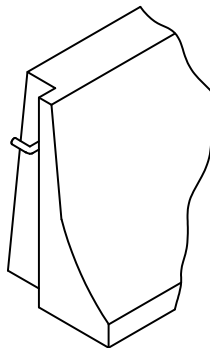
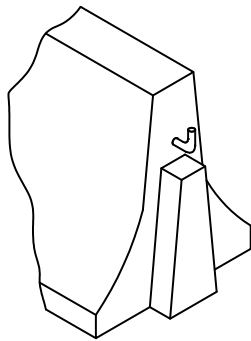
| | | | | |
|----------------------------------------------------------------------------------------------------------------------------------------------------------------------------|-----------------------------------------------------------------------------------------------------|-----------------|----------------------------------------------------------------------------|-------------------|
|  <p>KON KAST products (2005) Ltd. "Committed To Quality And Service"</p> | <p>3440 UNIVERSITY WAY KELOWNA B.C. V1V 1V9 PH: (250)765-1423 FX: (250)765-0820</p> | BY: PKR | <p>PIER BARRIER CPB-810 MALE & FEMALE</p> | ITEM NO. |
| | | DATE: FEB 24 05 | | <p>919</p> |
| | | SCALE: NTS | | |



RIGHT - HAND PARAPET



LEFT - HAND PARAPET



DETAILS - RH

DETAILS - LH

NOTES:

- 1) 30 MPa @ 28 DAYS
- 2) FIBRILLATED FIBRE STRAND REINFORCED CONCRETE

REVISED: MAR 21 2006



KON KAST

products (2005) Ltd.
"Committed To Quality And Service"

3440 UNIVERSITY WAY
KELOWNA B.C.
V1V 1V9
PH: (250)765-1423
FX: (250)765-0820

BY: PKR

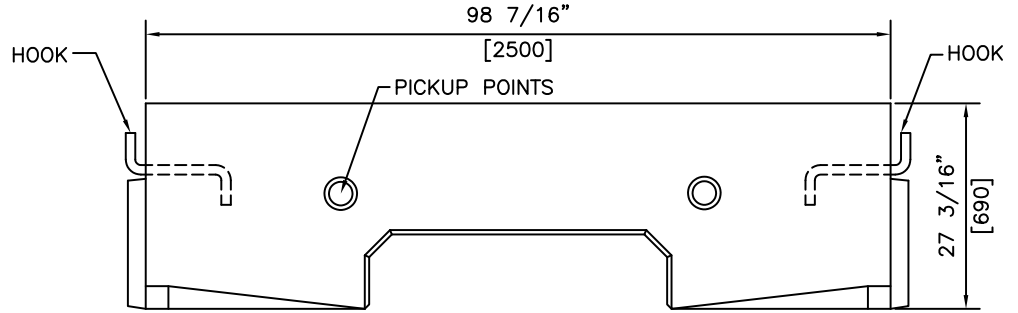
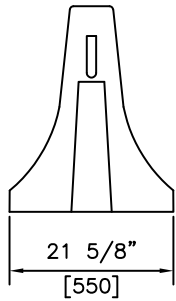
DATE: FEB 24 05

SCALE: NTS

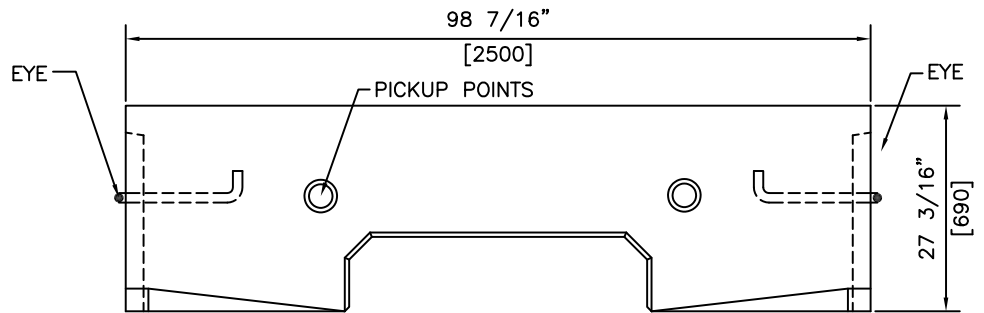
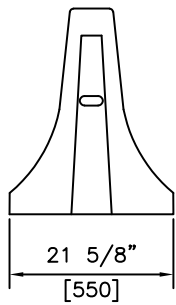
**STANDARD BRIDGE
PARAPET
LEFT & RIGHT**

ITEM NO.

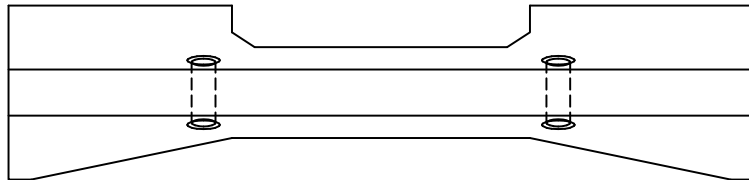
920



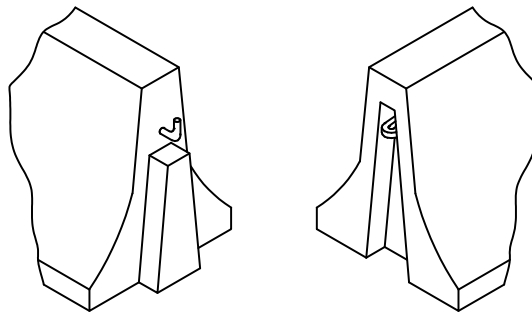
MALE BARRIER



FEMALE BARRIER



PLAN VIEW



DETAILS

NOTES:

- 1) 30MPa @ 28 DAYS
- 2) FIBRILLATED FIBRE STRAND REINFORCED CONCRETE
- 3) NOTE THAT REQUIRED REBAR CAGE NOT SHOWN

REVISED: MAR 27 2006

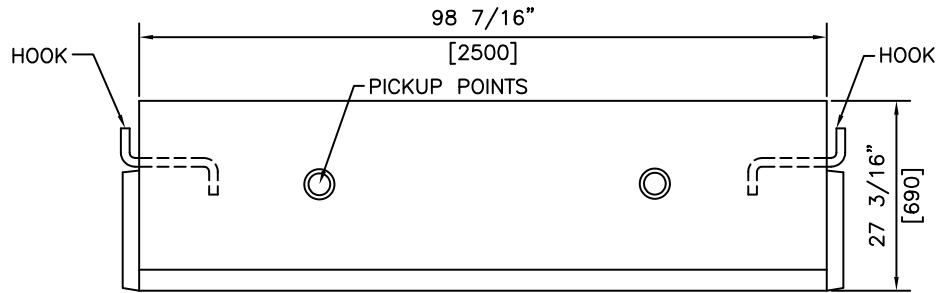
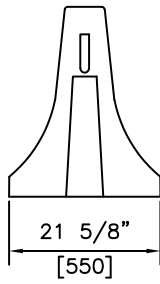
KON KAST
products (2005) Ltd.
"Committed To Quality And Service"

3440 UNIVERSITY WAY
KELOWNA B.C.
V1V 1V9
PH: (250)765-1423
FX: (250)765-0820

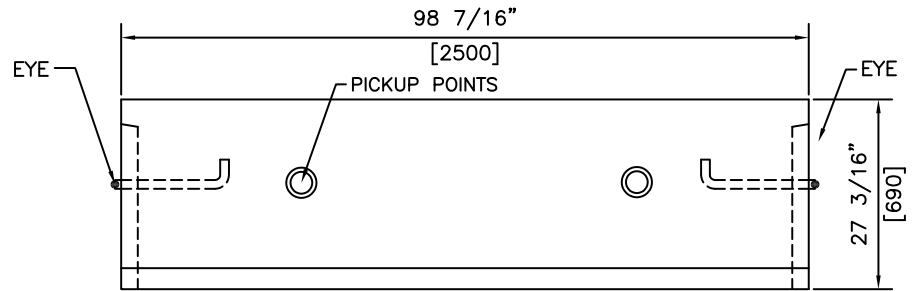
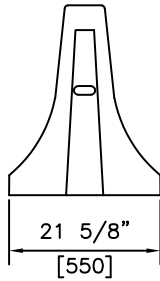
BY: PKR
DATE: FEB 24 05
SCALE: NTS

DRAINAGE BARRIER
CDB-690
MALE & FEMALE

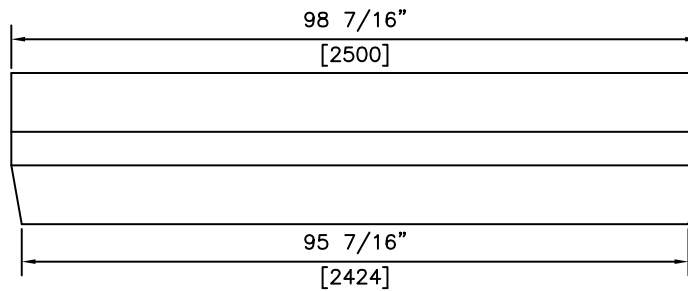
ITEM NO.
922



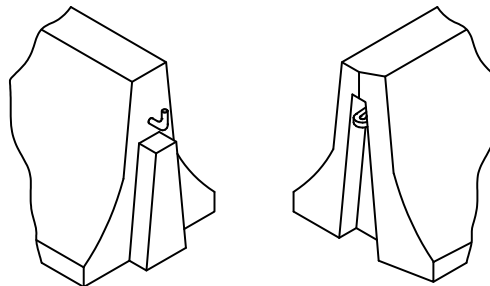
MALE BARRIER



FEMALE BARRIER



PLAN VIEW (FEMALE BARRIER)



NOTES:

- 1) 30MPa @ 28 DAYS
- 2) FIBRILLATED FIBRE STRAND REINFORCED CONCRETE

DETAILS

REVISED: MAR 21 2006

KON KAST
products (2005) Ltd.
"Committed To Quality And Service"

3440 UNIVERSITY WAY
KELOWNA B.C.
V1V 1V9
PH: (250)765-1423
FX: (250)765-0820

BY: PKR
DATE: FEB 24 05
SCALE: NTS

TIGHT RADIUS
CRB-690
MALE & FEMALE

ITEM NO.
925TR