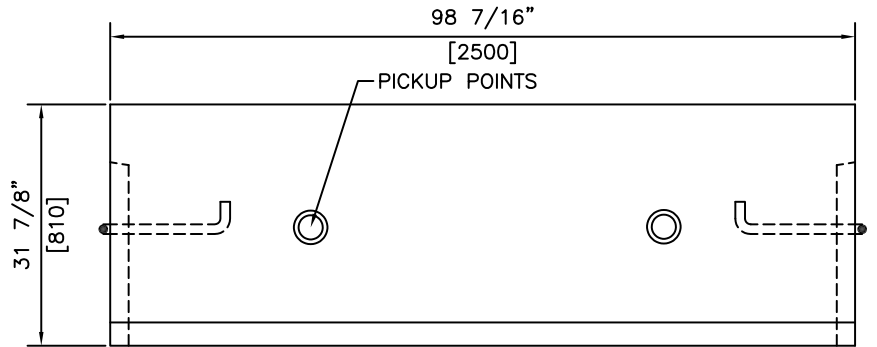
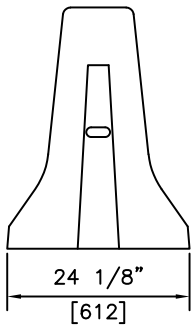
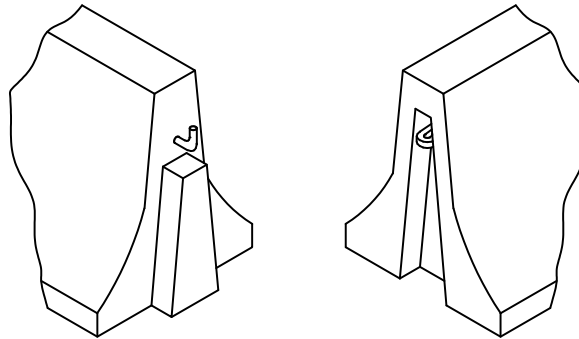


MALE BARRIER



FEMALE BARRIER




DETAILS

NOTES:

- 1) 30 MPa @ 28 DAYS
- 2) FIBRILATED FIBRE STRAND REINFORCED CONCRETE

REVISED: MAY 3 2006

 <p>KON KAST products (2005) Ltd. "Committed To Quality And Service"</p>	<p>3440 UNIVERSITY WAY KELOWNA B.C. V1V 1V9 PH: (250)765-1423 FX: (250)765-0820</p>	BY: PKR	<p>MEDIAN BARRIER CMB-810 MALE & FEMALE</p>	ITEM NO.
		DATE: FEB 24 05		<p>917</p>
		SCALE: NTS		