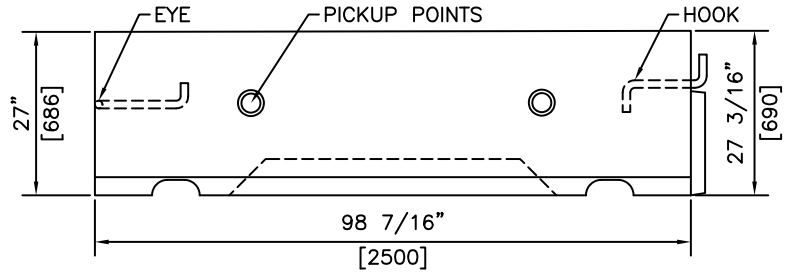
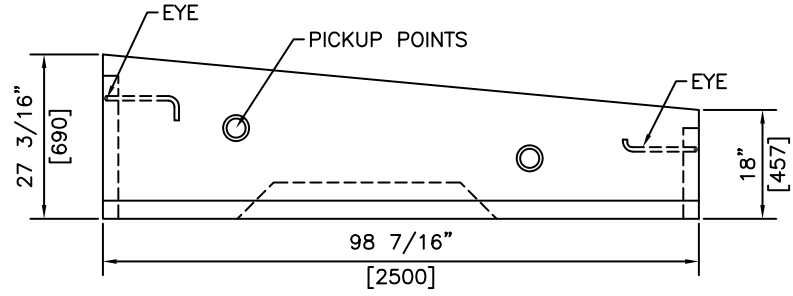


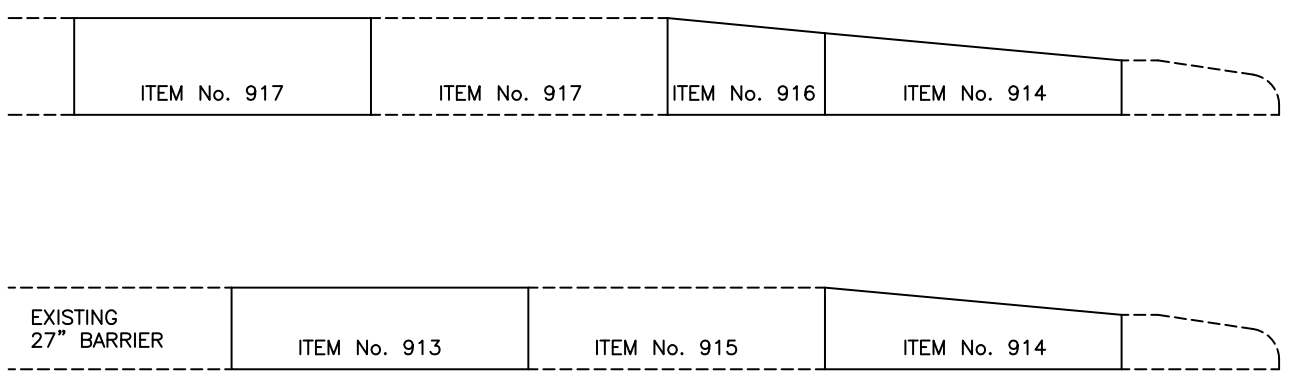
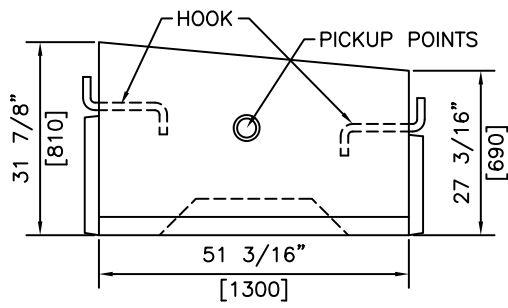
ITEM No. 913
CTB-3



ITEM No. 914
CTB-1




ITEM No. 916
CTB-2



NOTES:
1) 30MPa @ 28 DAYS

REVISED: FEB 24 2005

 KON KAST products (2005) Ltd. "Committed To Quality And Service"	3440 UNIVERSITY WAY KELOWNA B.C. V1V 1V9 PH: (250)765-1423 FX: (250)765-0820	BY: PKR DATE: FEB 24 05 SCALE: NTS	CONCRETE TRANSITION BARRIERS	ITEM NO. 913 914 916