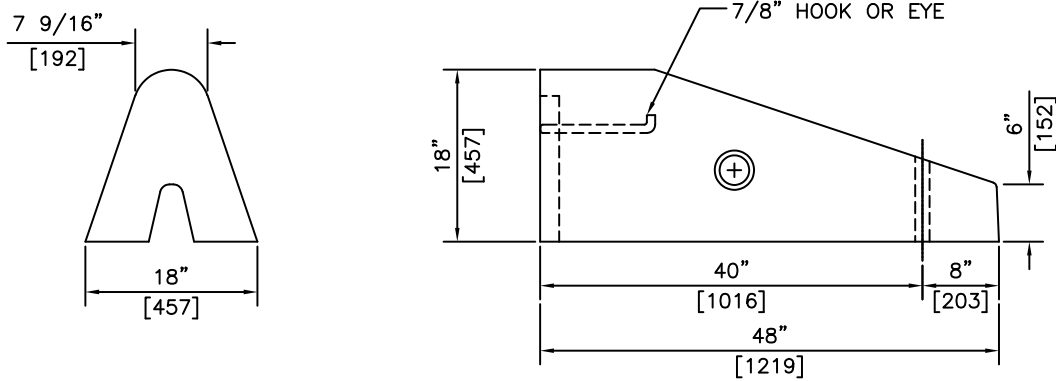


**ISOMETRIC**




**SECTIONS**

**NOTES:**

- 1) 30 MPa @ 28 DAYS
- 2) CURB MAY BE PRODUCED WITHOUT HOOK & EYE CONNECTIONS
- 3) 18" BULLNOSE IS POURED WITH FIBRILATED FIBRE STRAND REINFORCED CONCRETE

REVISED: 02-18-05

 <p><b>KON KAST</b> products (2005) Ltd. "Committed To Quality And Service"</p>	<p>3440 UNIVERSITY WAY KELOWNA B.C. V1V 1V9 PH: (250)765-1423 FX: (250)765-0820</p>	BY: BMR	<p><b>18" BULLNOSE</b> <b>CBN-1</b> <b>MALE OR FEMALE</b></p>	ITEM NO.
		DATE: FEB 16 05		<p><b>910</b></p>
		SCALE: NTS		