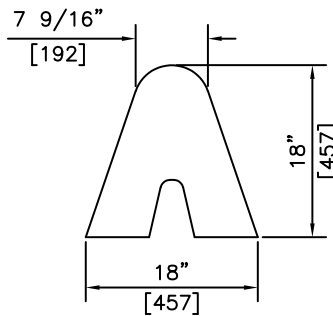
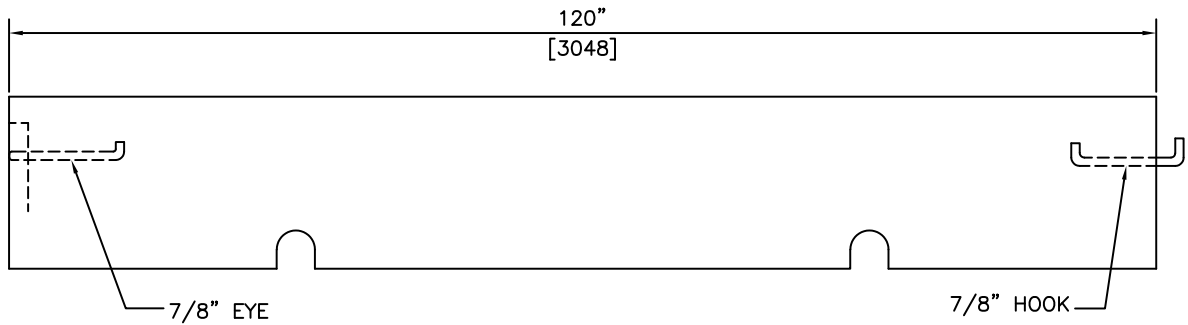


ISOMETRIC



SECTION

NOTES:

- 1) 30 MPa @ 28 DAYS
- 2) CURB MAY BE PRODUCED WITHOUT HOOK & EYE CONNECTIONS
- 3) 18" BARRIER IS Poured WITH FIBRILATED FIBRE STRAND REINFORCED CONCRETE

REVISED: FEB 16 2005



KON KAST

products (2005) Ltd.
"Committed To Quality And Service"

3440 UNIVERSITY WAY
KELOWNA B.C.
V1V 1V9
PH: (250)765-1423
FX: (250)765-0820

BY: BMR

DATE: FEB 16 05

SCALE: NTS

**18" BARRIER
CLB-1**

ITEM NO.

909