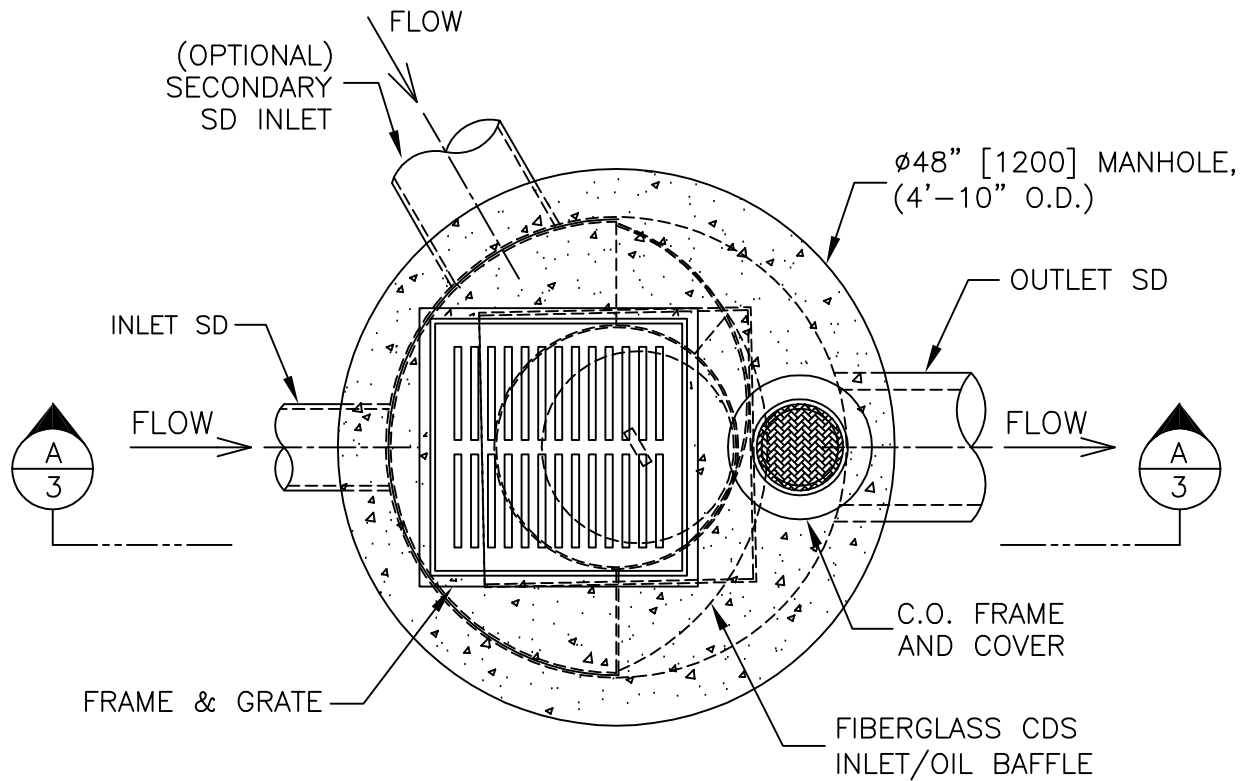


PLAN VIEW

TYPICAL / GENERIC INSTALLATION



NOTE:

THE INTERNAL COMPONENTS ARE SHOWN IN THE RIGHT-HAND CONFIGURATION—THESE COMPONENTS MAY BE FURNISHED IN THE MIRROR IMAGE TO THAT SHOWN (LEFT-HAND CONFIGURATION).

CDS MODEL PMIU20_15 STORMWATER TREATMENT UNIT

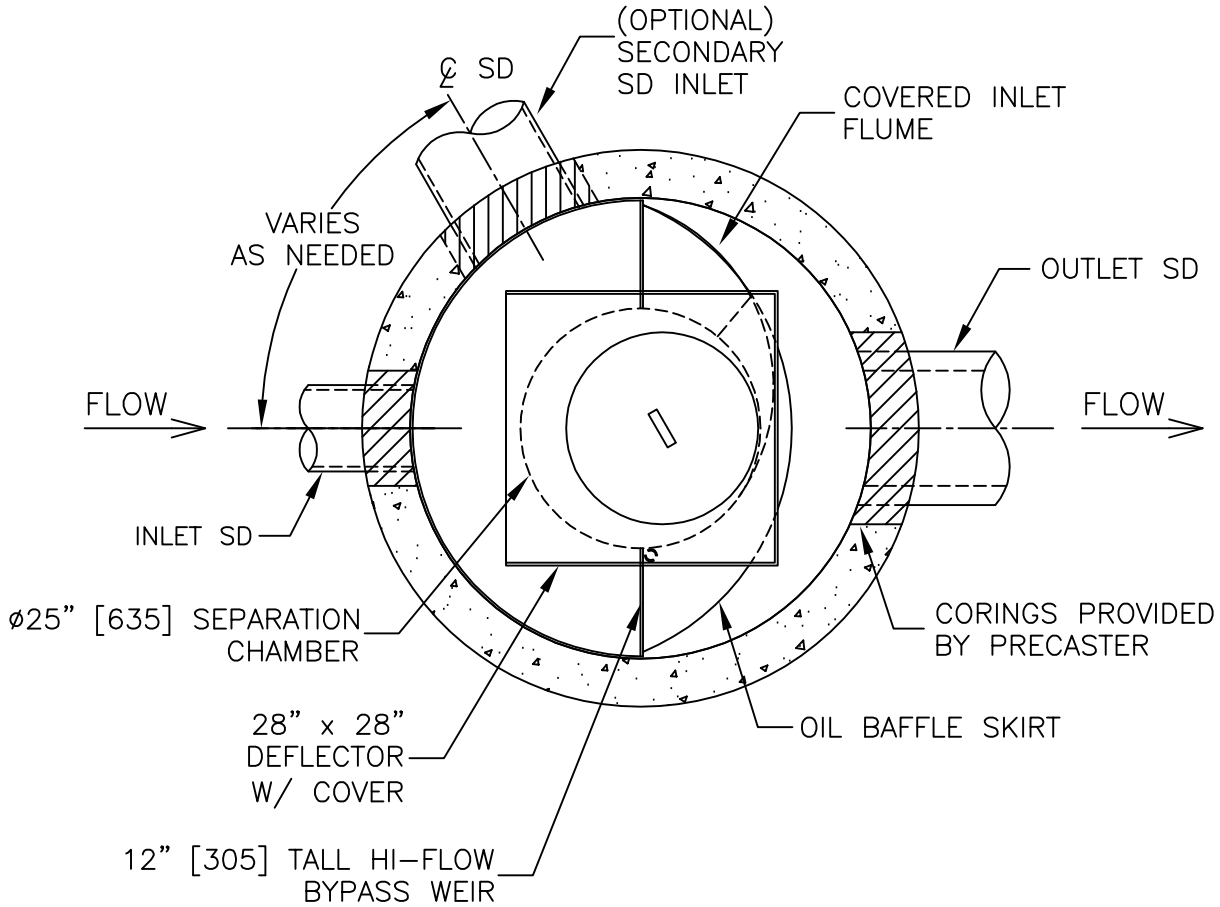


PROJECT NAME

DATE	—	SCALE 1"=1.5'
DRAWN	—	SHEET
APPROV.	—	1

SECTION B-B

TYPICAL / GENERIC INSTALLATION



NOTES:

1. THE INTERNAL COMPONENTS ARE SHOWN IN THE RIGHT-HAND CONFIGURATION.
2. FOR PROPER INSTALLATION, GREEN FLANGE ON SCREEN FACES UP; RED FLANGE FACES DOWN & FASTENS TO SEPARATION SLAB.
3. OVERSIZED CORES ARE PROVIDED TO ACCOUNT FOR DIFFERENT PIPEWALL THICKNESSES—ENSURE SUFFICIENT EXCAVATION DEPTH TO ATTAIN (EXTERNAL) SUMP INVERT ELEVATION (SEE SHEET 3).

CDS MODEL PMIU20_15 STORMWATER TREATMENT UNIT



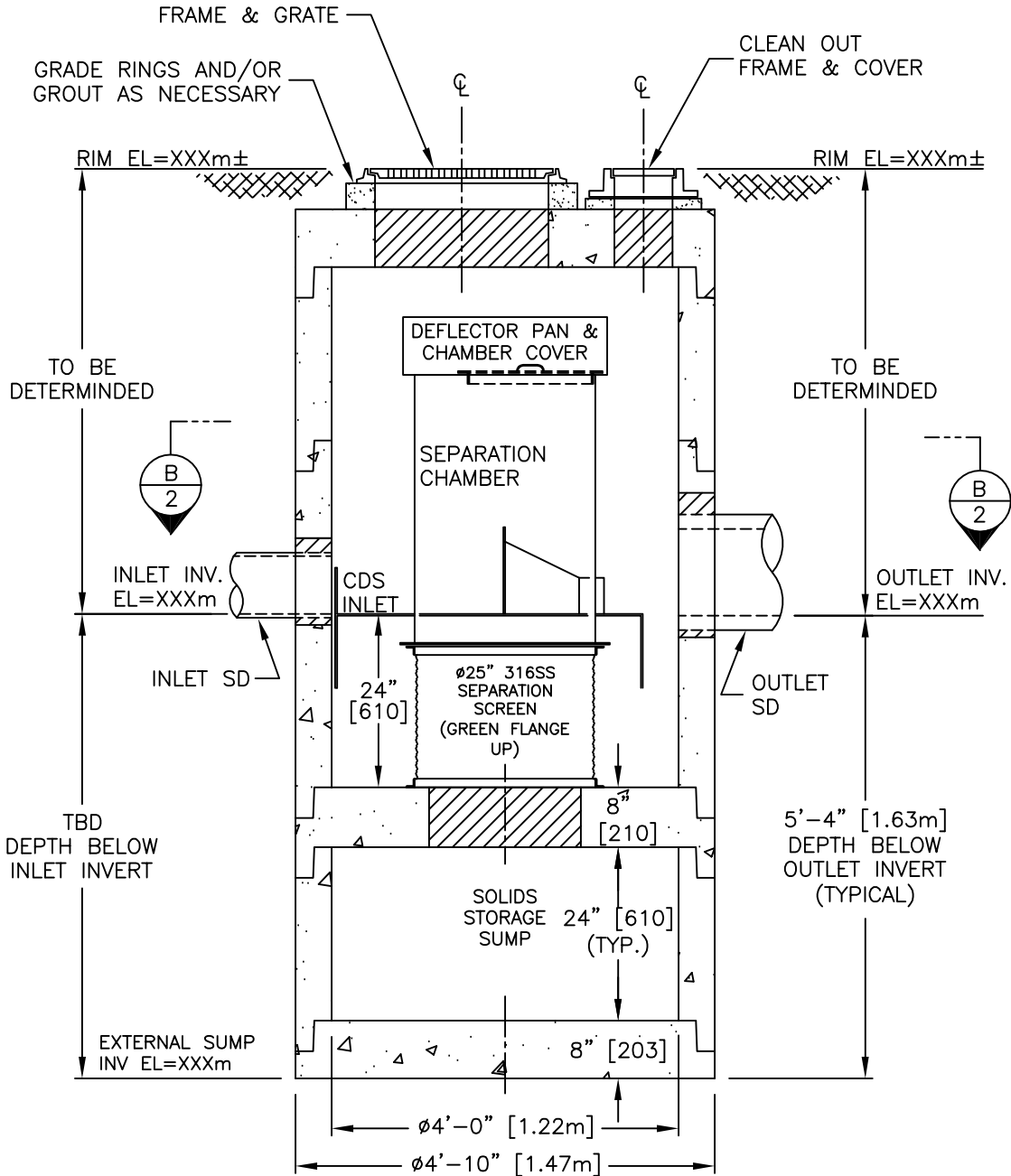
PROJECT NAME

DATE	—	SCALE	1"=2'
DRAWN	—	SHEET	2
APPROV.	—		

SECTION A-A

TYPICAL / GENERIC INSTALLATION

ELEVATION VIEW



NOTES:

1. OVERSIZED CORES ARE PROVIDED TO ACCOUNT FOR DIFFERENT PIPEWALL THICKNESSES—ENSURE SUFFICIENT EXCAVATION DEPTH TO ATTAIN INDICATED (EXTERNAL) SUMP INVERT ELEVATION.
2. FOR PROPER INSTALLATION, GREEN FLANGE ON SCREEN FACES UP & FASTENS TO FIBERGLASS CYLINDER FLANGE; RED FLANGE FASTENS TO SEPARATION SLAB WITH PROVIDED ANCHOR BOLTS.

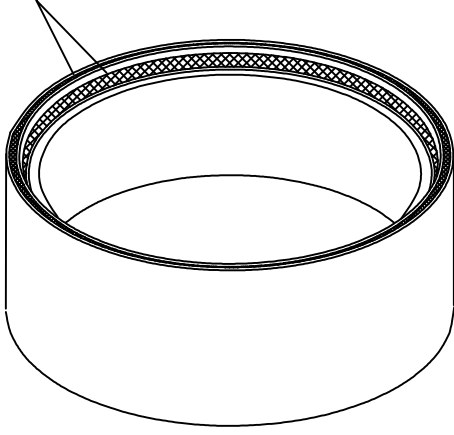
CDS MODEL PMIU20_15 STORMWATER TREATMENT UNIT



PROJECT NAME

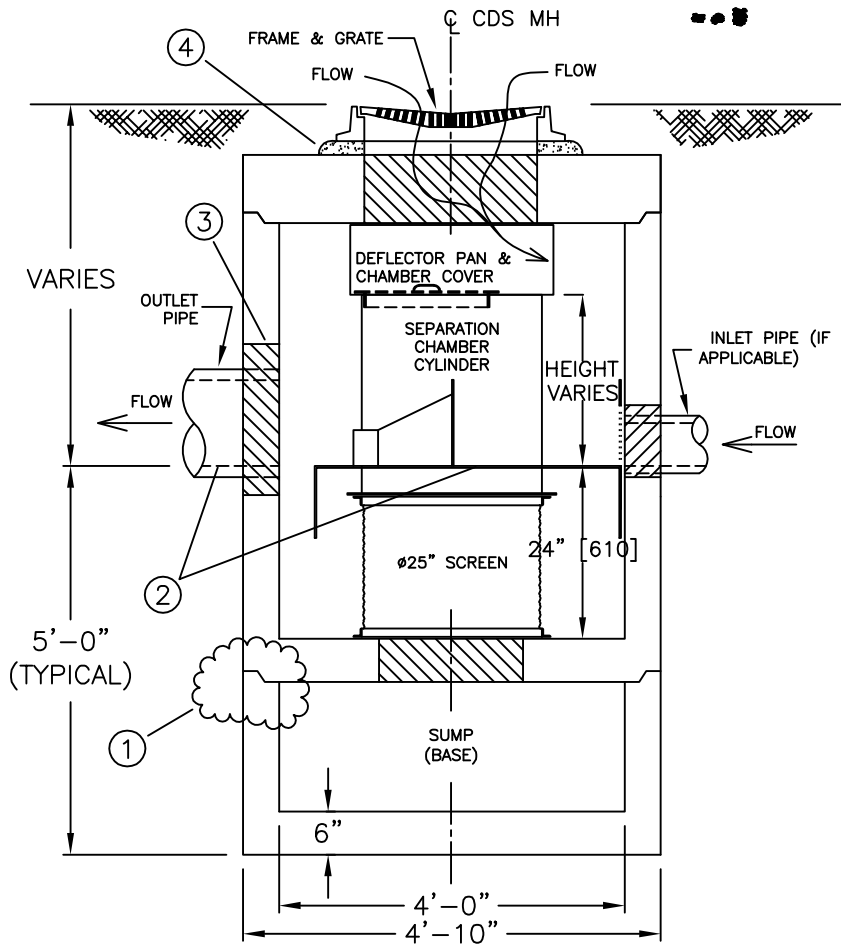
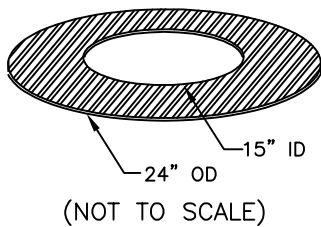
DATE	—	SCALE	1"=2'
DRAWN	—	SHEET	3
APPROV.	—		

PLACE 2x CONTINUOUS BANDS OF MASTIC ROPE ON VERTICAL AND HORIZONTAL SURFACES OF SUMP (MH BASE) T&G JOINT; GROUT EXTERIOR MH JOINT IF NECESSARY.



HYDRAULIC SHEAR PLATE
TYPE 316 STAINLESS, 11 GA.

USE WHEN ADDING
SORBENT MATERIAL



CONSTRUCTION NOTES:

1. APPLY BUTYL MASTIC TO SEAL JOINTS OF MANHOLE STRUCTURE (SEE INSET DETAIL DRAWING); APPLY GROUT TO EXTERIOR T&G JOINTS OF MH SECTIONS TO COMPLETELY SEAL IF NECESSARY (UNIT MUST BE WATER TIGHT, HOLDING WATER UP TO FLOWLINE INVERT, MINIMUM).
2. BEFORE PLACING MORE PRECAST COMPONENTS OR BACKFILLING, ENSURE FIBERGLASS INLET & (OUTLET) PIPE INLET INVERT ELEVATIONS MATCH – ADJUST IF NECESSARY.
3. PLACE GROUT OR USE FLEXIBLE CONNECTORS TO SEAL PIPE–MH CONNECTIONS.
4. USE GRADE RINGS, WALL SECTIONS, AND/OR GROUT TO MEET FINISHED–GRADE ELEVATION; SEAL AS NECESSARY.

GENERAL NOTES:

1. CDS UNIT COMES COMPLETE WITH FIBERGLASS INLET/OIL BAFFLE AND SCREEN ASSEMBLY PRE–INSTALLED.
2. INSTALL UNIT PER CDS INSTALLATION GUIDELINES AND ALL APPLICABLE PROJECT SPECIFICATIONS.
3. CONTRACTOR TO BE EQUIPPED TO LIFT HEAVIEST SECTION (SEPARATION CHAMBER, APPROX. X,XXX#)

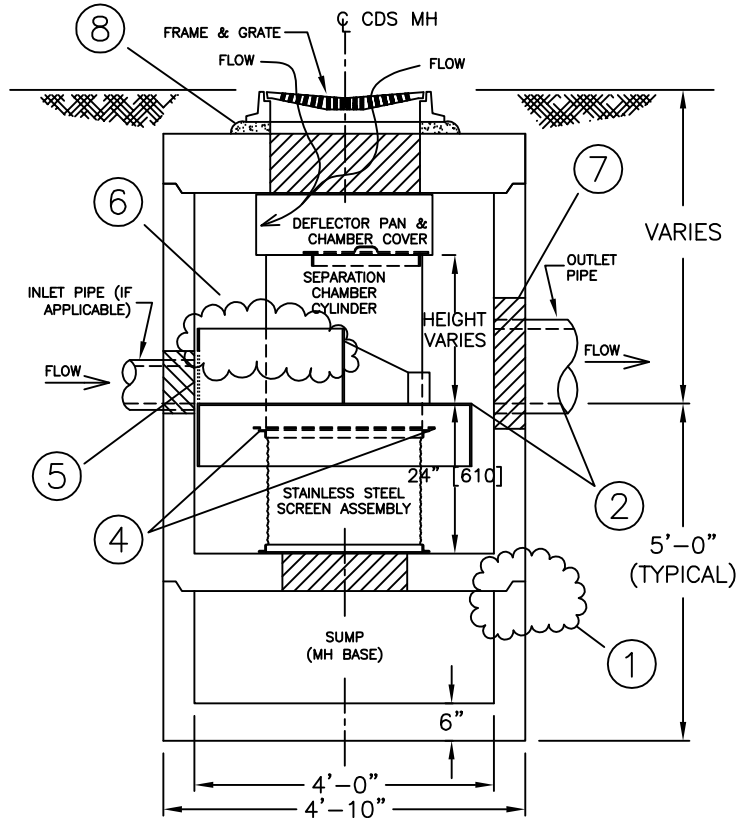
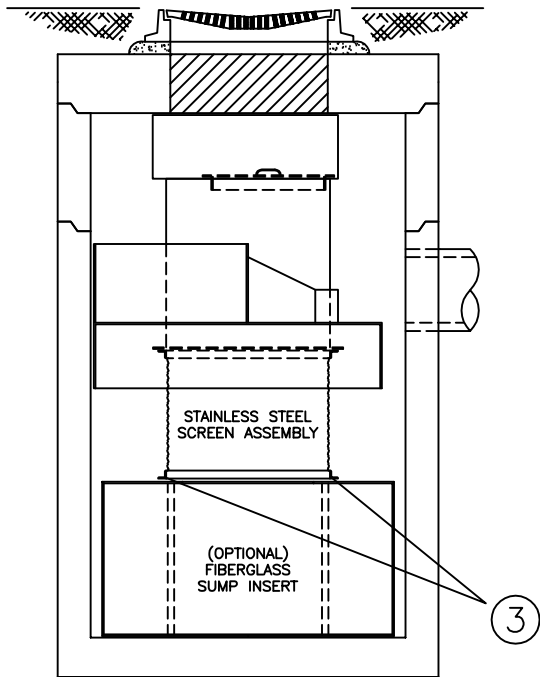


**CDS MODEL PMIU20_15
MISCELLANEOUS NOTES**

JOB#	SCALE N.T.S. SHEET 4
DATE:	
DRAWN:	
APPROV.	

**INSTRUCTIONS FOR THE
INSTALLATION OF CDS
INTERNAL COMPONENTS**

CDS W/ FIBERGLASS SUMP INSERT



CONSTRUCTION NOTES:

1. APPLY BUTYL MASTIC AND/OR GROUT TO SEAL JOINTS OF MANHOLE STRUCTURE. APPLY LOAD TO MASTIC SEAL IN JOINTS OF MH SECTIONS TO COMPRESS SEALANT IF NECESSARY. UNIT MUST BE WATER TIGHT UP TO FLOWLINE INVERT (MINIMUM).
2. BEFORE PLACING MORE PRECAST COMPONENTS OR BACKFILLING, ENSURE 24" FROM THE TOP OF THE SEPARATION SLAB TO PIPE INVERT.
3. (OPTIONAL FIBERGLASS SUMP INSERT ASSEMBLY)
IF APPLICABLE, PLACE STAINLESS STEEL SCREEN CYLINDER WITH THE CORRECT ORIENTATION (GREEN PAINTED FLANGE SHALL FACE UP & RED PAINTED FLANGE SHALL FACE DOWN) OVER THE SUMP OPENING & MATCH-DRILL FOUR (4) 9/16" DIAMETER HOLES THRU SCREEN FLANGE & TOP OF SUMP INSERT; BOLT SCREEN CYLINDER TO SUMP INSERT W/ PROVIDED 1/2" BOLTS & LOCKING HARDWARE.
4. ENSURE THAT STAINLESS STEEL SCREEN CYLINDER IS PROPERLY ORIENTED (GREEN PAINTED FLANGE SHALL FACE UP W/ RED PAINTED FLANGE SHALL FACE DOWN), MATCH-DRILL FOUR (4) 9/16" DIAMETER HOLES THRU SCREEN & CDS INLET FLANGES & BOLT TOGETHER W/ PROVIDED 1/2" BOLTS & LOCKING HARDWARE.
5. IF CDS UNIT IS TO HAVE PIPE INLET(S) ENTERING THRU SIDE OF MANHOLE, MARK & TRIM AWAY THE INLET FLANGE WHERE FIBERGLASS MATERIAL BLOCKS THE PIPE ENTRANCE (IF APPLICABLE).
6. PLACE SEPARATION SCREEN & FIBERGLASS INLET/BAFFLE ASSEMBLY (& SUMP INSERT, IF APPLICABLE) IN MH & POSITION WITH INLET FLANGE AGAINST THE INSIDE WALL (ROTATE TO MATCH OPENINGS IN FLANGE WITH PIPE ORIFICE AS NEEDED); DRILL & INSERT 3/8" CONC. EXPANSION ANCHORS AT APPROXIMATELY 9" O.C. TO FASTEN CDS INLET TO MANHOLE; FILL GAP BETWEEN FIBERGLASS INLET FLANGE & MANHOLE WALL WITH WATER-STOP SEALANT AS NEEDED.
7. GROUT OR USE FLEXIBLE GASKETING TO SEAL OUTLET (& INLET, IF APPLICABLE) PIPE CONNECTION(S).
8. USE GRADE RINGS, BLOCKS AND/OR GROUT TO MATCH FINISHED GRADE - SEAL AS REQ'D.

GENERAL NOTES:

1. INSTALL CDS UNIT PER CDS INSTALLATION SPECIFICATIONS.
2. CONTRACTOR TO BE EQUIPPED TO HANDLE THE HEAVIEST PICK SECTIONS.



**CDS MODEL PMIU20_15
MISCELLANEOUS NOTES**

JOB#	
DATE:	-
DRAWN:	-
APPROV.	

SCALE
N.T.S.
SHEET

4