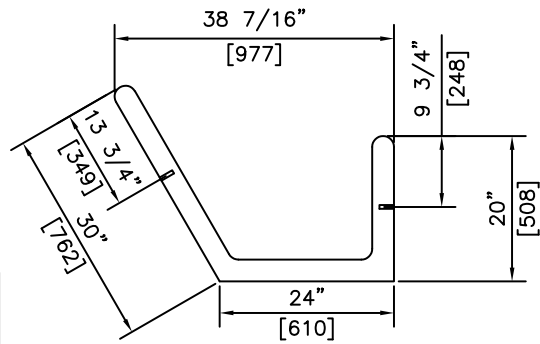
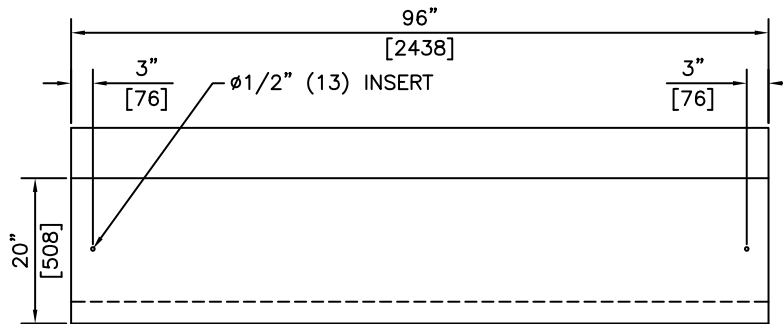


**ISOMETRIC**



**SECTION**


**NOTE:**  
SLINGS ARE TO BE USED  
FOR HANDLING & PLACING

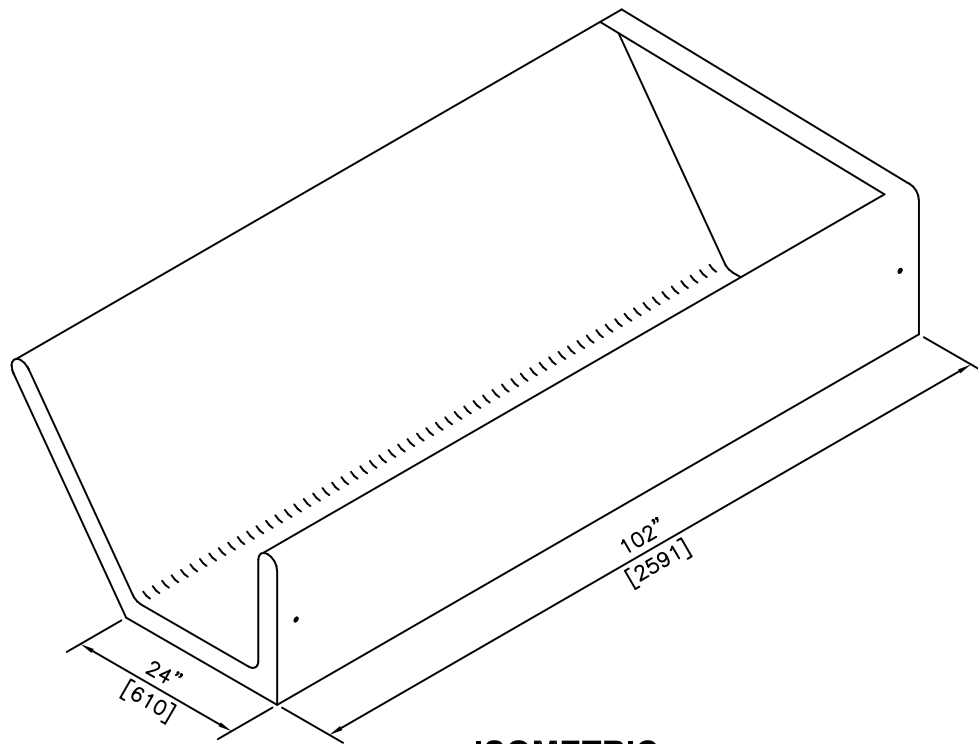


**ELEVATION**

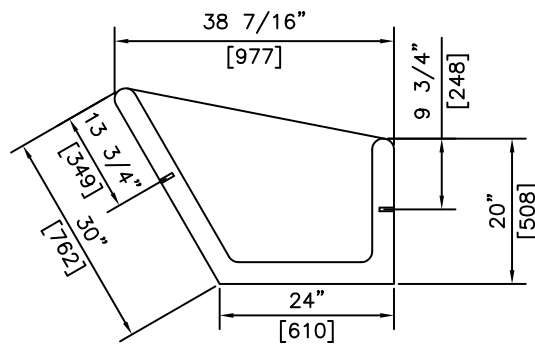
**NOTES:**  
1) 27.6 MPa @ 28 DAYS

REVISED: MAR 8 2005

 <b>KON KAST</b> products (2005) Ltd. "Committed To Quality And Service"	3440 UNIVERSITY WAY KELOWNA B.C. V1V 1V9 PH: (250)765-1423 FX: (250)765-0820	BY: PKR DATE: MAR 8 05 SCALE: NTS	<b>J BUNK          CATTLE          FEEDER</b>	ITEM NO. <b>1201</b>

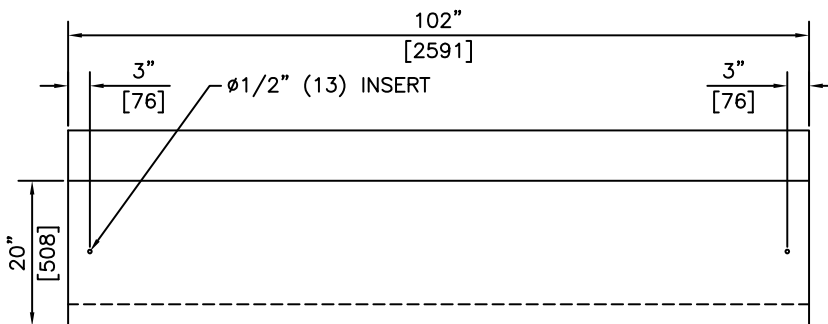


**ISOMETRIC**



**SECTION**

NOTE:  
SLINGS ARE TO BE USED  
FOR HANDLING & PLACING




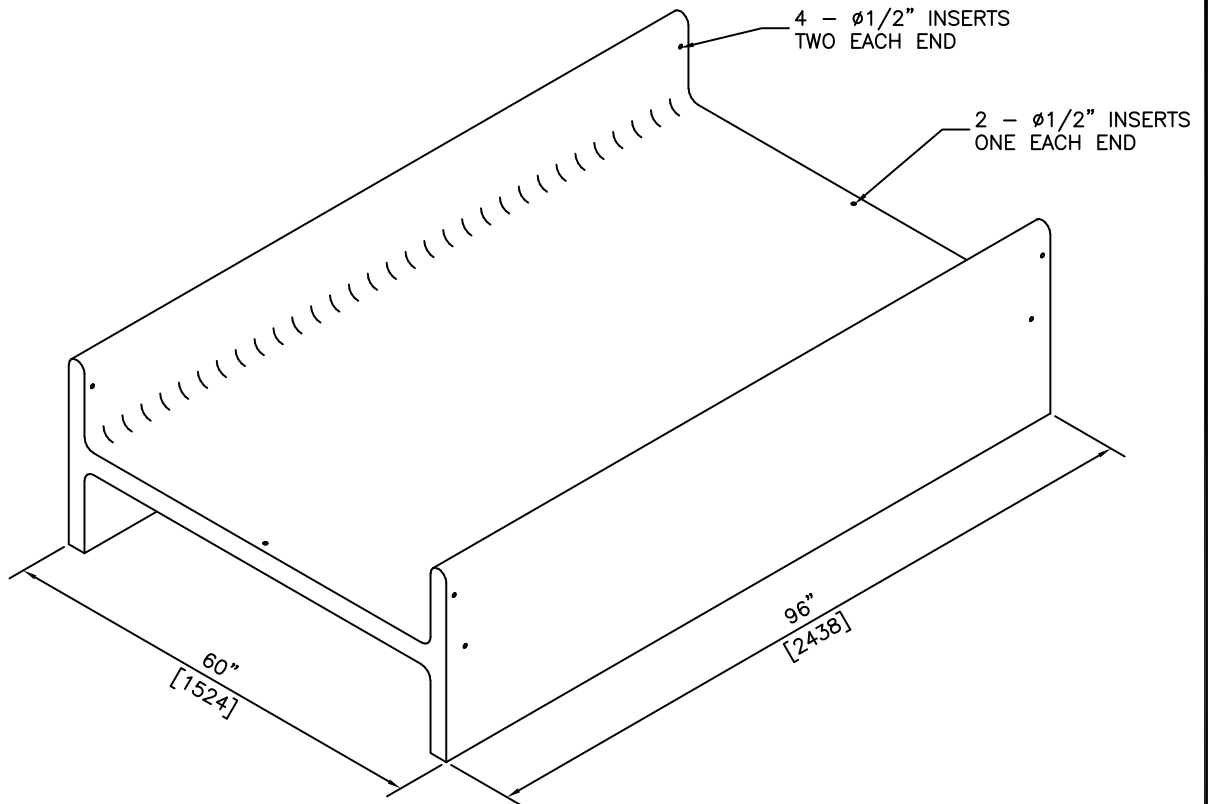
**ELEVATION**

**NOTES:**

- 1) 27.6 MPa @ 28 DAYS
- 2) AVAILABLE IN EITHER LEFT OR RIGHT HAND

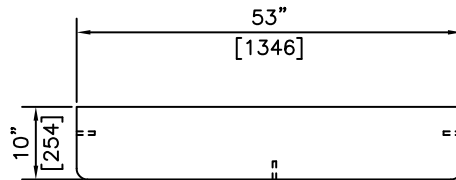
REVISED: MAR 8 2005

 <p><b>KON KAST</b> products (2005) Ltd. "Committed To Quality And Service"</p>	<p>3440 UNIVERSITY WAY KELOWNA B.C. V1V 1V9 PH: (250)765-1423 FX: (250)765-0820</p>	BY: PKR	<p><b>J BUNK CATTLE FEEDER c/w END</b></p>	ITEM NO.
		DATE: MAR 8 05		<p><b>1203</b></p>
		SCALE: NTS		

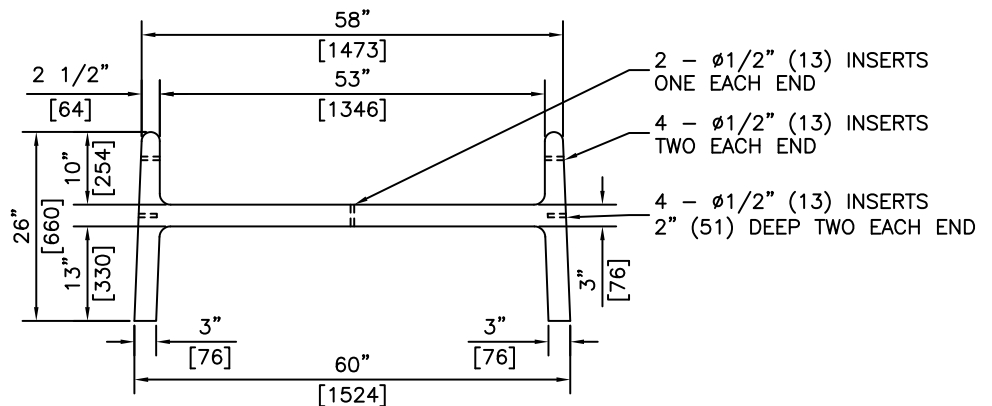


**ISOMETRIC**

**NOTE:**  
SLINGS ARE TO BE USED  
FOR HANDLING & PLACING



**END PLUG**



**SECTION**

**NOTES:**  
1) 27.6 MPa @ 28 DAYS

REVISED: MAR 8 2005

 **KON KAST**  
products (2005) Ltd.  
"Committed To Quality And Service"

3440 UNIVERSITY WAY  
KELOWNA B.C.  
V1V 1V9  
PH: (250)765-1423  
FX: (250)765-0820

BY: PKR  
DATE: MAR 8 05  
SCALE: NTS

**H BUNK  
CATTLE  
FEEDER**

ITEM NO.  
**1210**