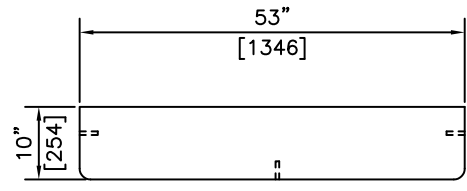
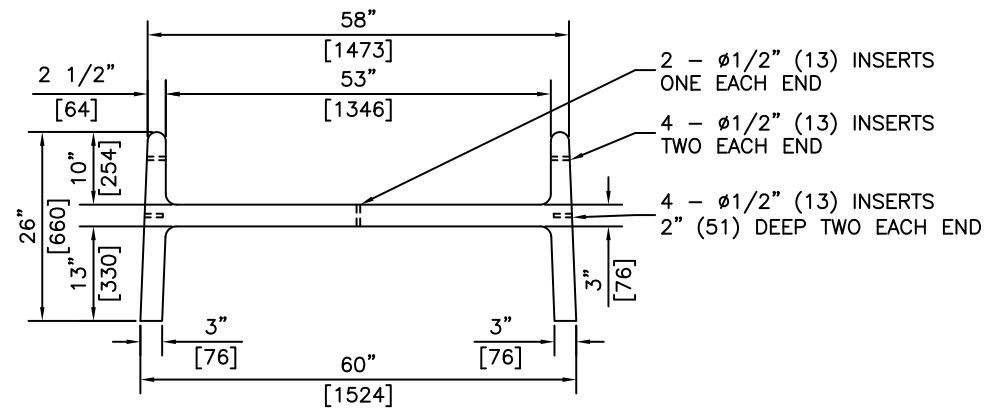


ISOMETRIC

NOTE:
SLINGS ARE TO BE USED
FOR HANDLING & PLACING




END PLUG



SECTION

NOTES:
1) 27.6 MPa @ 28 DAYS

REVISED: MAR 8 2005

| | | | | |
|--|---|----------------|--|--------------------|
|  <p>KON KAST products (2005) Ltd. "Committed To Quality And Service"</p> | <p>3440 UNIVERSITY WAY KELOWNA B.C. V1V 1V9 PH: (250)765-1423 FX: (250)765-0820</p> | BY: PKR | <p>H BUNK CATTLE FEEDER</p> | ITEM NO. |
| | | DATE: MAR 8 05 | | <p>1210</p> |
| | | SCALE: NTS | | |