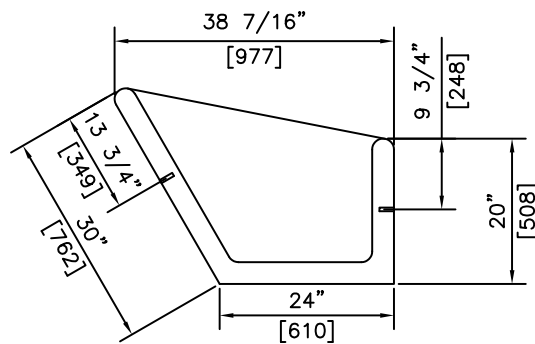
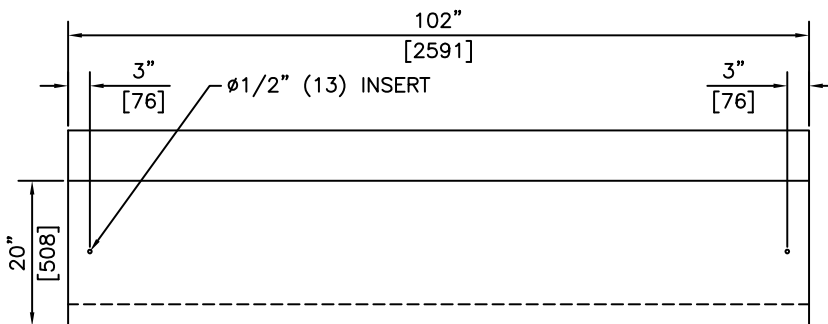


**ISOMETRIC**



**SECTION**

NOTE:  
SLINGS ARE TO BE USED  
FOR HANDLING & PLACING



**ELEVATION**

**NOTES:**

- 1) 27.6 MPa @ 28 DAYS
- 2) AVAILABLE IN EITHER LEFT OR RIGHT HAND

REVISED: MAR 8 2005



**KON KAST**  
products (2005) Ltd.  
"Committed To Quality And Service"

3440 UNIVERSITY WAY  
KELOWNA B.C.  
V1V 1V9  
PH: (250)765-1423  
FX: (250)765-0820

BY: PKR  
DATE: MAR 8 05  
SCALE: NTS

**J BUNK  
CATTLE FEEDER  
c/w END**

ITEM NO.  
**1203**