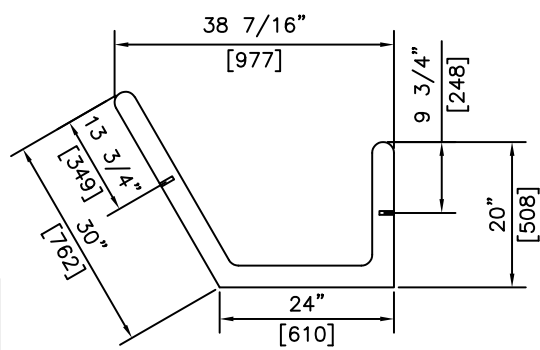
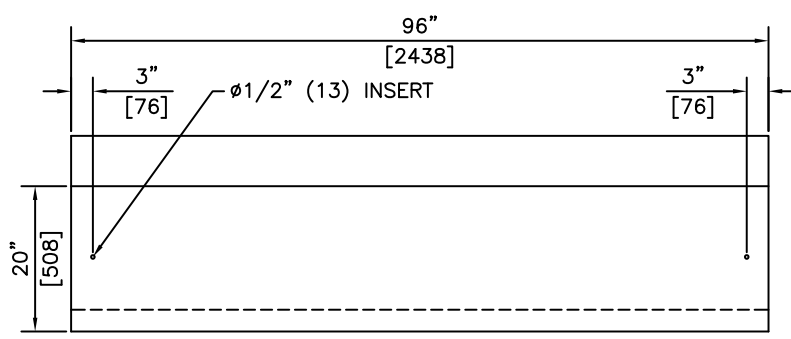


ISOMETRIC



SECTION


NOTE:
SLINGS ARE TO BE USED
FOR HANDLING & PLACING



ELEVATION

NOTES:
1) 27.6 MPa @ 28 DAYS

REVISED: MAR 8 2005

 KON KAST products (2005) Ltd. "Committed To Quality And Service"	3440 UNIVERSITY WAY KELOWNA B.C. V1V 1V9 PH: (250)765-1423 FX: (250)765-0820	BY: PKR DATE: MAR 8 05 SCALE: NTS	J BUNK CATTLE FEEDER	ITEM NO. 1201