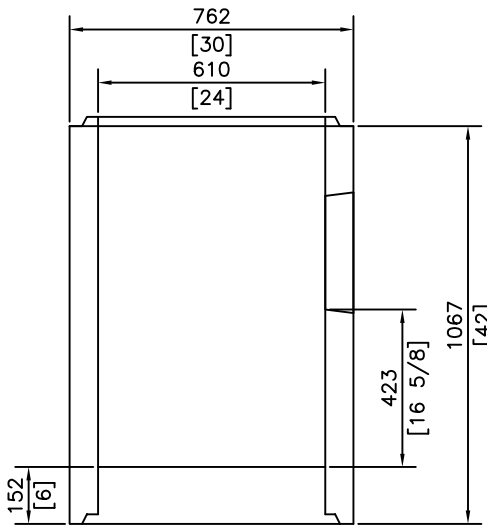
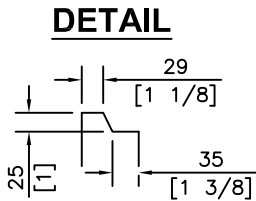


**ISOMETRIC**



**SECTION**



**DETAIL**

THIS CATCHBASIN IS NOT A  
MONOLITHIC UNIT. THE BASE IS  
POURED INTO THE BARREL.  
10M REBAR IS ANCHORED INTO  
THE WALL FOR REINFORCEMENT.

MEETS OR EXCEEDS ASTM C478  
27.6 MPa @ 28 DAYS  
MEETS H-20 LOADING  
WEIGHT: 610 kg

REVISED: FEB 25 2016



**KON KAST**  
products (2005) ltd.

ph: (250) 765 1423  
fx: (250) 765 0820  
www.konkast.com

"Committed To Quality And Service"

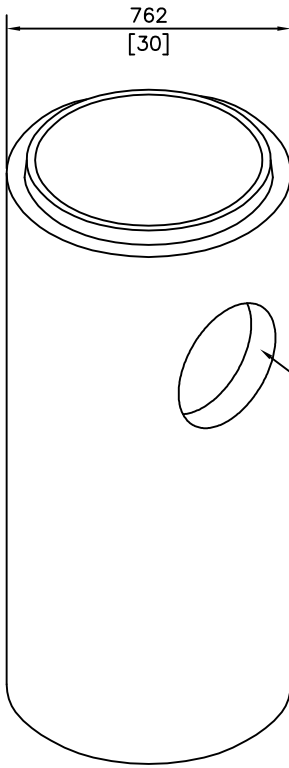
DESCRIPTION

**600mm (24") I.D.  
CATCH BASIN  
x 1067 (42") HEIGHT**

DRAWN BY: PKR  
DATE: FEB 9 05  
SCALE: NTS

DRAWING:

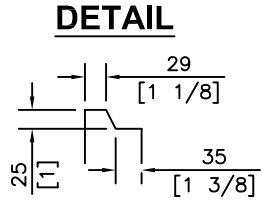
**801A**



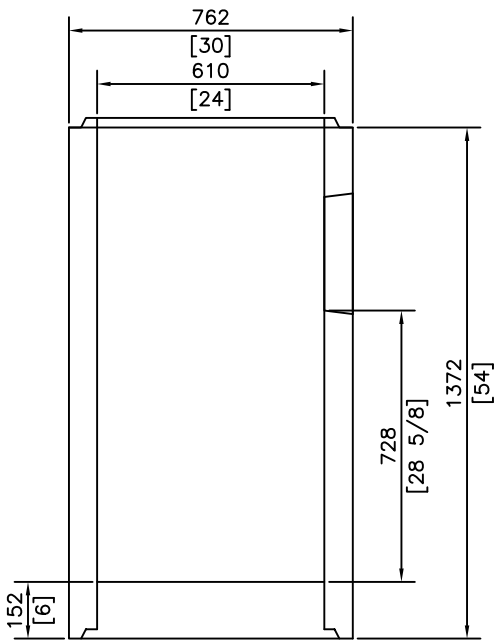
ø305 (12") KNOCKOUT (1 REQ'D)

**ISOMETRIC**

NOTE:  
c/w 2-2 3/16" LIFTING  
ANCHORS FOR HANDLING



**DETAIL**




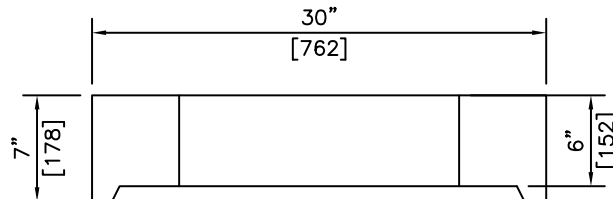
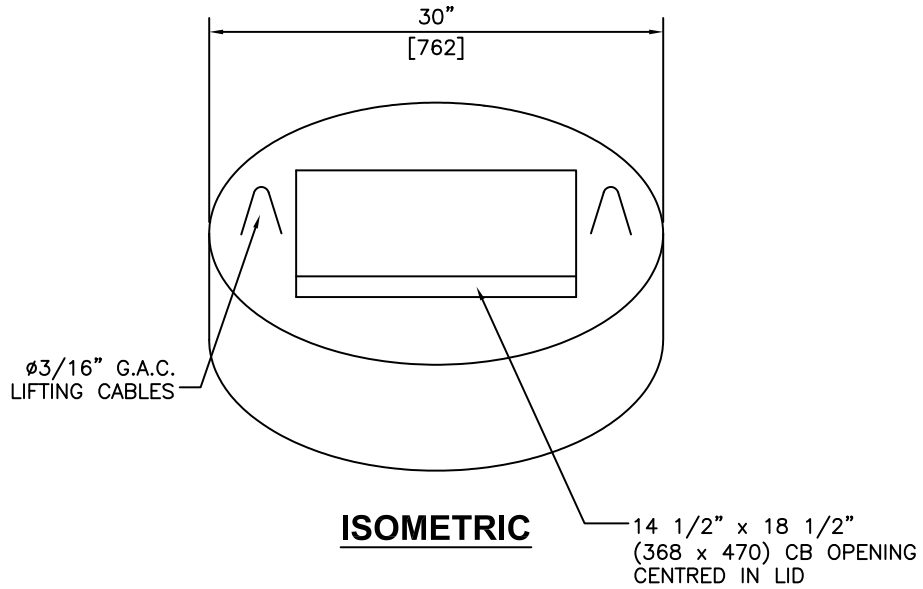
**SECTION**

THIS CATCHBASIN IS NOT A  
MONOLITHIC UNIT. THE BASE IS  
POURED INTO THE BARREL.  
10M REBAR IS ANCHORED INTO  
THE WALL FOR REINFORCEMENT.

- NOTES:**
- 1) MEETS OR EXCEEDS ASTM C478
  - 2) 27.6 MPa @ 28 DAYS
  - 3) MEETS H-20 LOADING

REVISED: JAN 3 2012


 <p><b>KON KAST</b> products (2005) ltd. "Committed To Quality And Service"</p>	<p>1313 INNOVATION DR KELOWNA B.C. V1V 3B3 PH: (250)765-1423 FX: (250)765-0820</p>	BY: PKR	<p><b>600 I.D. CATCH BASIN</b> 610mm x 1372mm</p>	DRAWING
		DATE: FEB 9 05		<p><b>801D</b></p>
		SCALE: NTS		

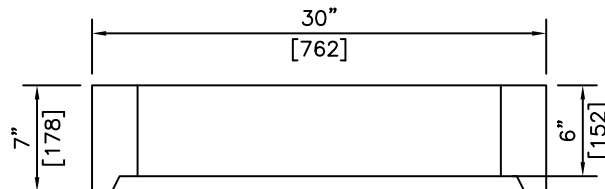
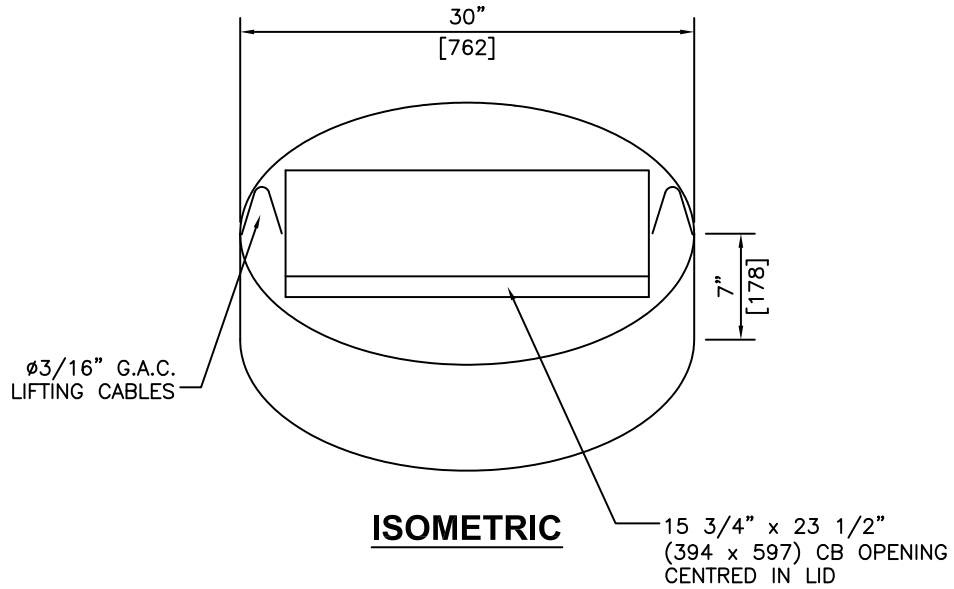


**NOTES:**

- 1) MEETS OR EXCEEDS ASTM C478
- 2) 27.6 MPa @ 28 DAYS
- 3) MEETS H-20 LOADING

REVISED: FEB 9 2005

 <b>KON KAST</b> products (2005) Ltd. "Committed To Quality And Service"	3440 UNIVERSITY WAY KELOWNA B.C. V1V 1V9 PH: (250)765-1423 FX: (250)765-0820	BY: PKR	<b>30" (762) O.D. LID</b> <b>B37 OPENING FOR</b> <b>24" (600) CATCH BASIN</b>	ITEM NO.
		DATE: FEB 9 05		<b>802</b>
		SCALE: NTS		



**NOTES:**

- 1) MEETS OR EXCEEDS ASTM C478
- 2) 27.6 MPa @ 28 DAYS
- 3) MEETS H-20 LOADING

REVISED: FEB 9 2005



**KON KAST**

products (2005) Ltd.  
"Committed To Quality And Service"

3440 UNIVERSITY WAY  
KELOWNA B.C.  
V1V 1V9  
PH: (250)765-1423  
FX: (250)765-0820

BY: PKR

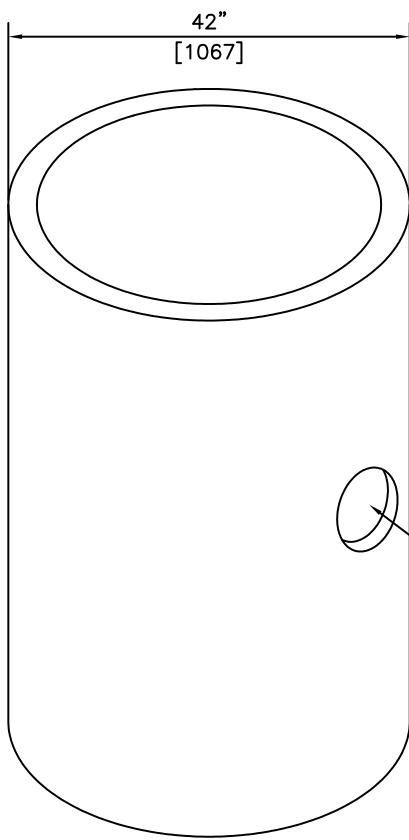
DATE: FEB 9 05

SCALE: NTS

**30" (762) O.D. LID  
HWYS OPENING FOR  
24" (600) CATCH BASIN**

ITEM NO.

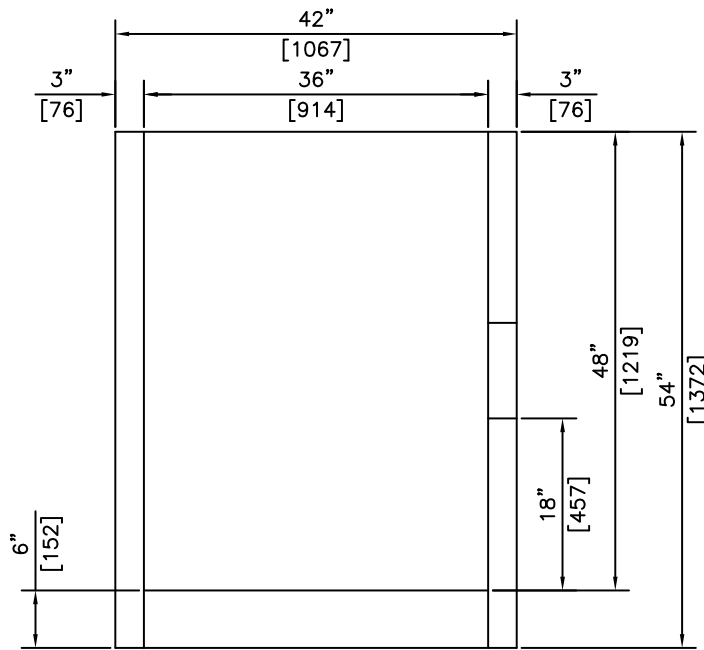
**802H**



ø10" (254) KNOCKOUT (1 REQ'D)

NOTE:  
c/w 2-2 3/16" UNI-LIFT  
ANCHORS FOR HANDLING

**ISOMETRIC**



**SECTION**

**NOTES:**

- 1) MEETS OR EXCEEDS ASTM C478
- 2) 27.6 MPa @ 28 DAYS
- 3) MEETS H-20 LOADING

THIS CATCH BASIN IS NOT A MONOLITHIC UNIT.  
THE BASE IS POURED INTO THE BARREL.  
10M REBAR IS ANCHORED INTO THE WALL  
FOR REINFORCEMENT.

REVISED: MAR 6 2006



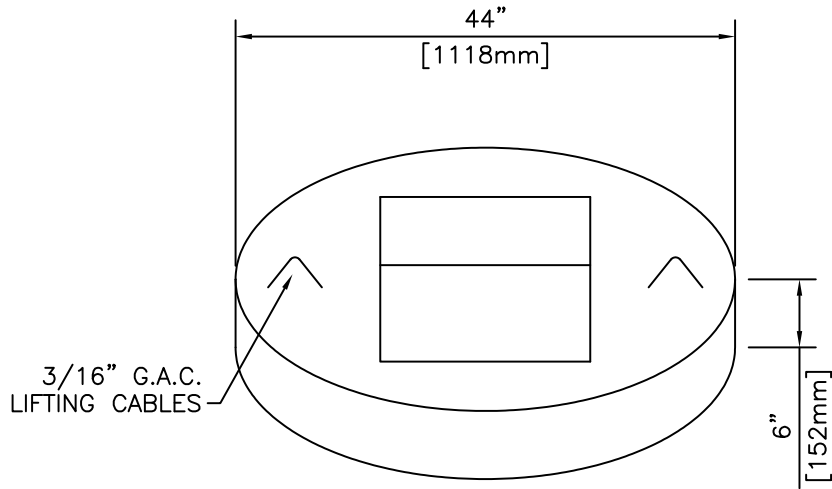
**KON KAST**  
products (2005) Ltd.  
"Committed To Quality And Service"

3440 UNIVERSITY WAY  
KELOWNA B.C.  
V1V 1V9  
PH: (250)765-1423  
FX: (250)765-0820

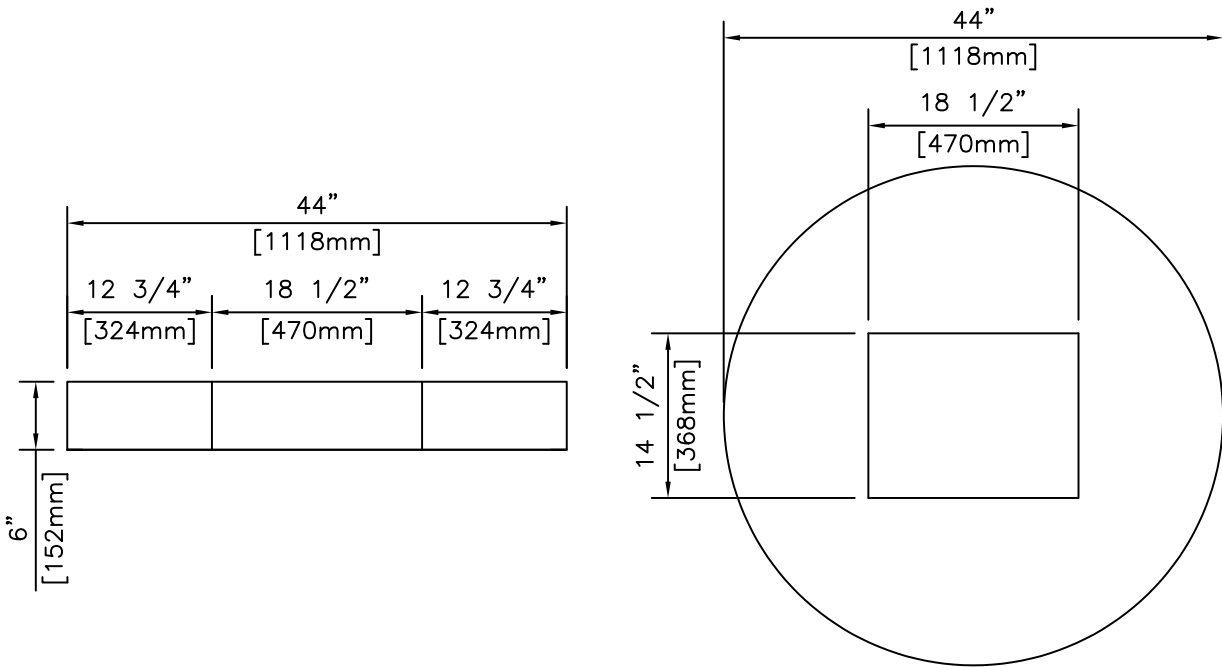
BY: PKR  
DATE: FEB 9 05  
SCALE: NTS

**36" (900) I.D.**  
**CATCH BASIN**  
**54" (1372) HEIGHT**

ITEM NO.  
**803**



**ISOMETRIC**



**SECTION**

**PLAN**

**NOTE: MEETS H-20 LOADING**

REVISED: NOV 27 03



**KON KAST**  
products Ltd.

"Committed To Quality And Service"

3440 COLLEGE WAY  
KELOWNA, B.C.  
V1V-1V9  
765-1423  
FAX: 765-0820

BY: PKR

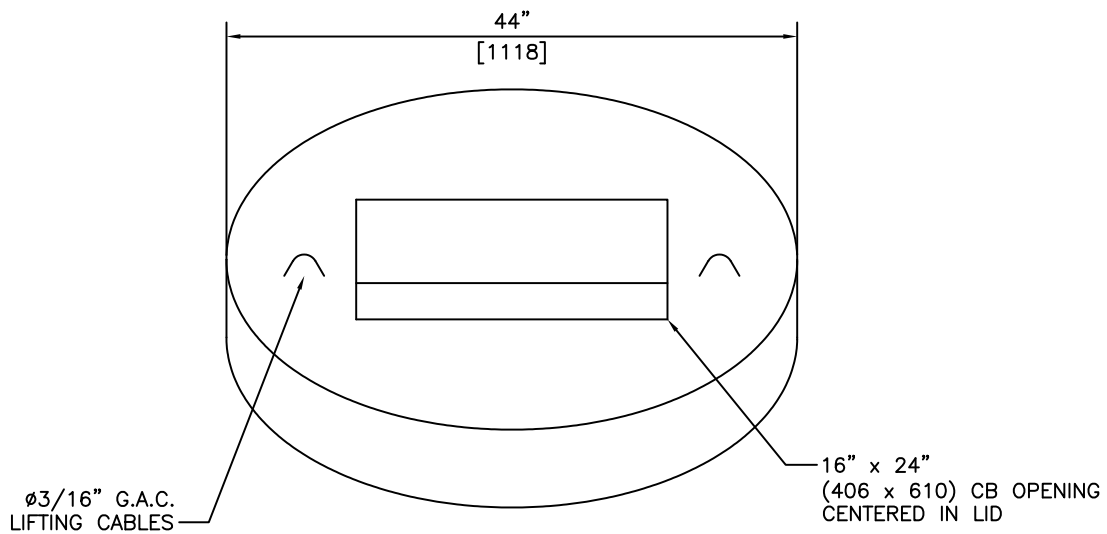
DATE: NOV 27 03

SCALE: 1/16

**36" (914) I.D.**  
**CATCH BASIN LID**  
**B37 OPENING**

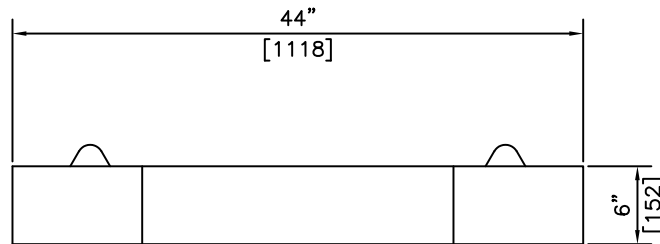
ITEM NO.

**804B**



**ISOMETRIC**

NOTE:  
ø1 1/4" HOLE SIZE  
FOR ø1" LIFTING PINS




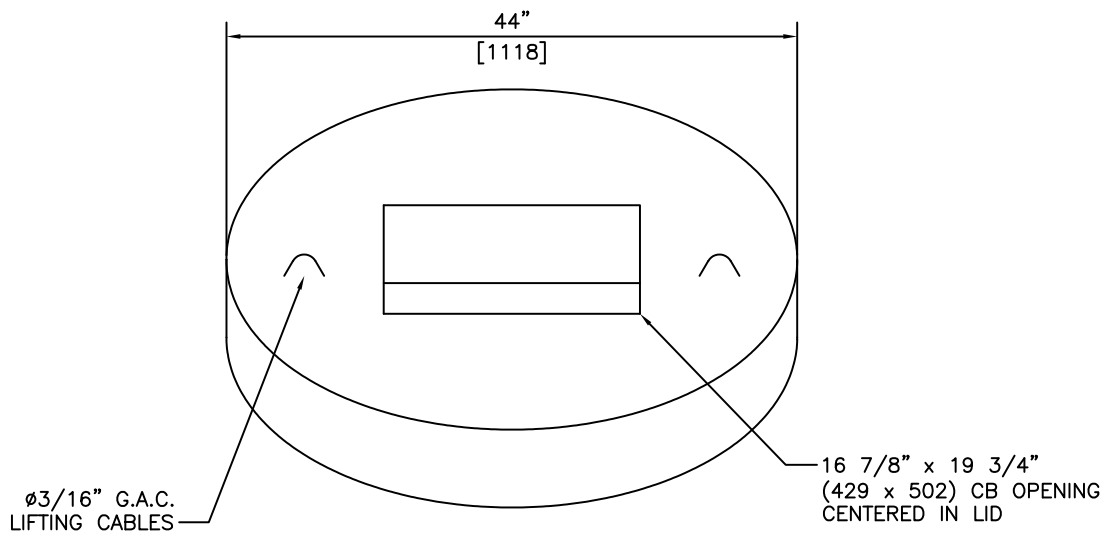
**SECTION**

**NOTES:**

- 1) MEETS OR EXCEEDS ASTM C478
- 2) 27.6 MPa @ 28 DAYS
- 3) MEETS H-20 LOADING

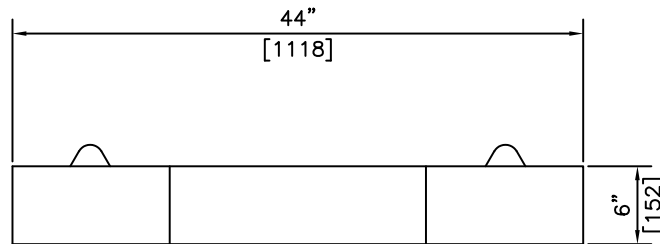
REVISED: FEB 10 2005

 <p><b>KON KAST</b> products (2005) Ltd. "Committed To Quality And Service"</p>	<p>3440 UNIVERSITY WAY KELOWNA B.C. V1V 1V9 PH: (250)765-1423 FX: (250)765-0820</p>	BY: PKR	<p><b>44" (1118) O.D. LID</b> <b>HWYS OPENING LID</b> <b>36" (900) CATCH BASIN</b></p>	ITEM NO.
		DATE: FEB 10 05		<p><b>804H</b></p>
		SCALE: NTS		



**ISOMETRIC**

NOTE:  
ø1 1/4" HOLE SIZE  
FOR ø1" LIFTING PINS



**SECTION**

**NOTES:**

- 1) MEETS OR EXCEEDS ASTM C478
- 2) 27.6 MPa @ 28 DAYS
- 3) MEETS H-20 LOADING

REVISED: FEB 9 2005



**KON KAST**

products (2005) Ltd.  
"Committed To Quality And Service"

3440 UNIVERSITY WAY  
KELOWNA B.C.  
V1V 1V9  
PH: (250)765-1423  
FX: (250)765-0820

BY: PKR

DATE: FEB 9 05

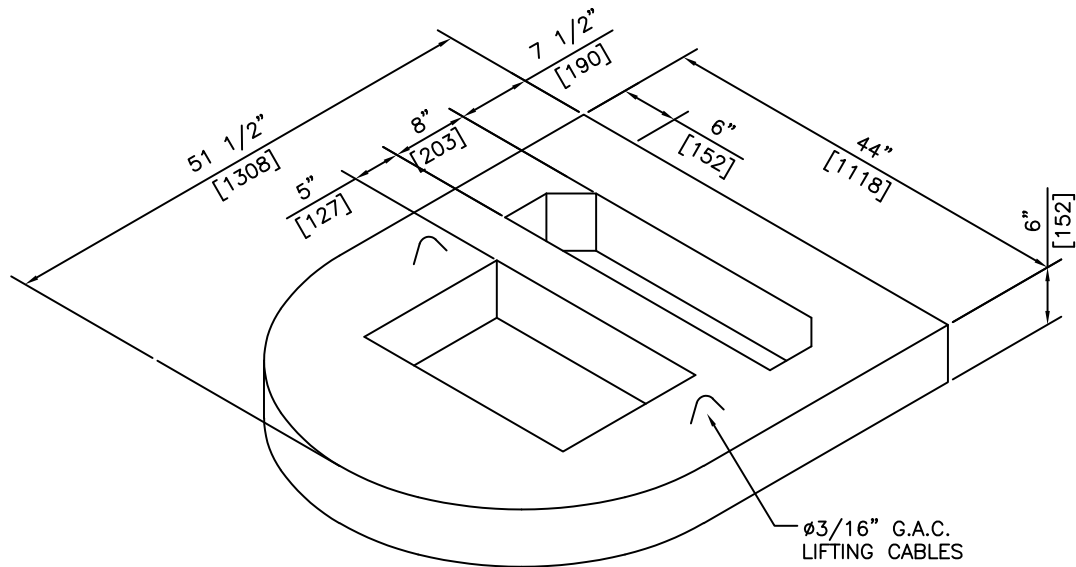
SCALE: NTS

**44" (1118) O.D. LID**  
**TK7 OPENING FOR**  
**36" (900) CATCH BASIN**

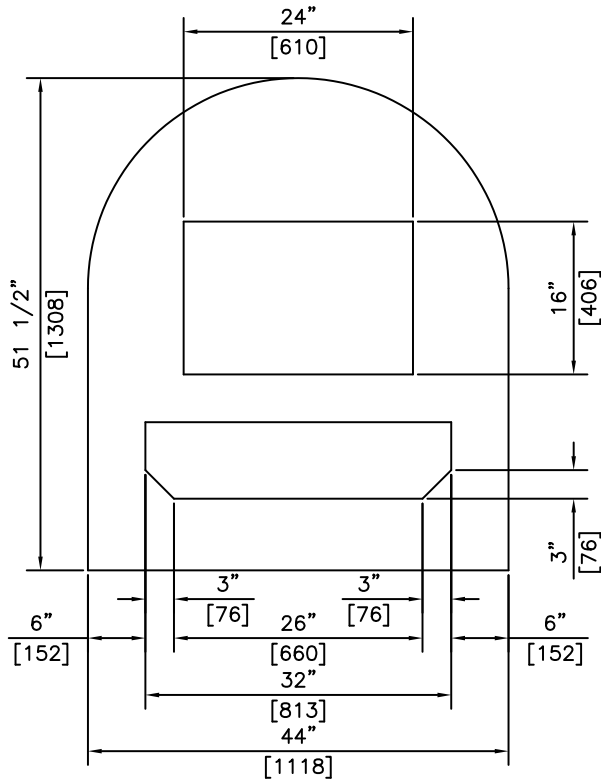
ITEM NO.

**804R**

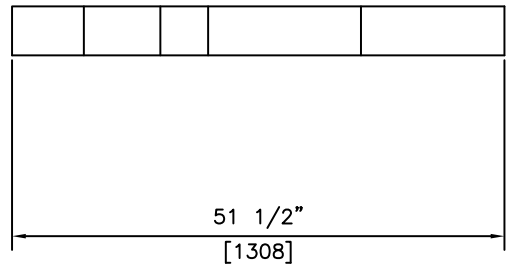




**ISOMETRIC**



**PLAN**



**SECTION**

**NOTES:**

- 1) MEETS OR EXCEEDS ASTM C478
- 2) 27.6 MPa @ 28 DAYS
- 3) MEETS H-20 LOADING

REVISED: FEB 10 2005



**KON KAST**

products (2005) Ltd.  
"Committed To Quality And Service"

3440 UNIVERSITY WAY  
KELOWNA B.C.  
V1V 1V9  
PH: (250)765-1423  
FX: (250)765-0820

BY: PKR

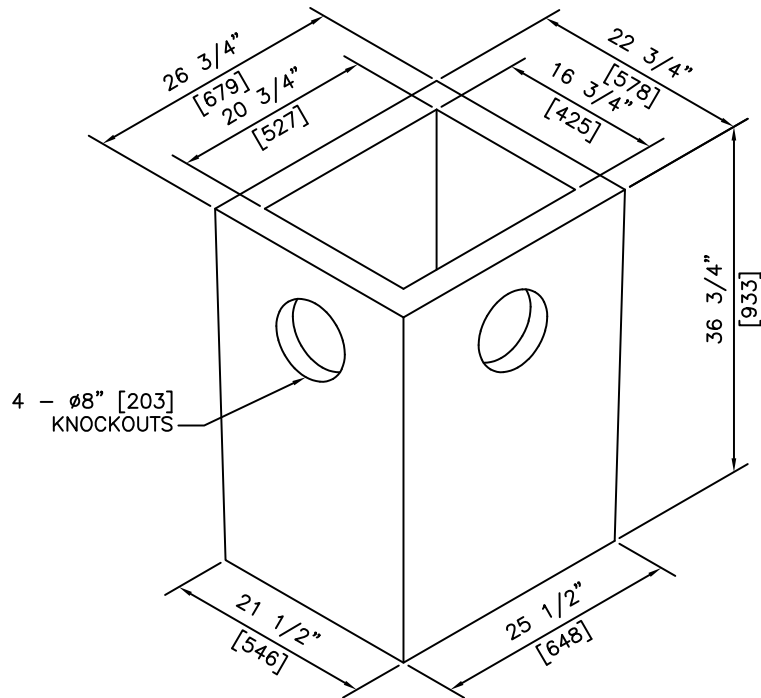
DATE: FEB 10 05

SCALE: NTS

**SIDE DRAIN LID  
FOR 36" (900) I.D.  
CATCH BASIN**

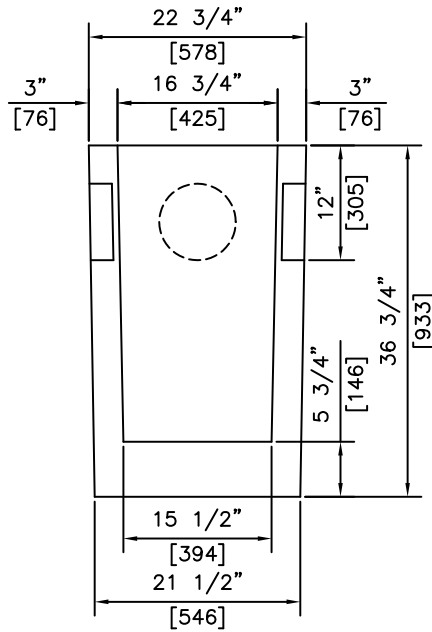
ITEM NO.

**805**



**ISOMETRIC**

NOTE:  
c/w 2-2 3/16" UNI-LIFT  
ANCHORS FOR HANDLING




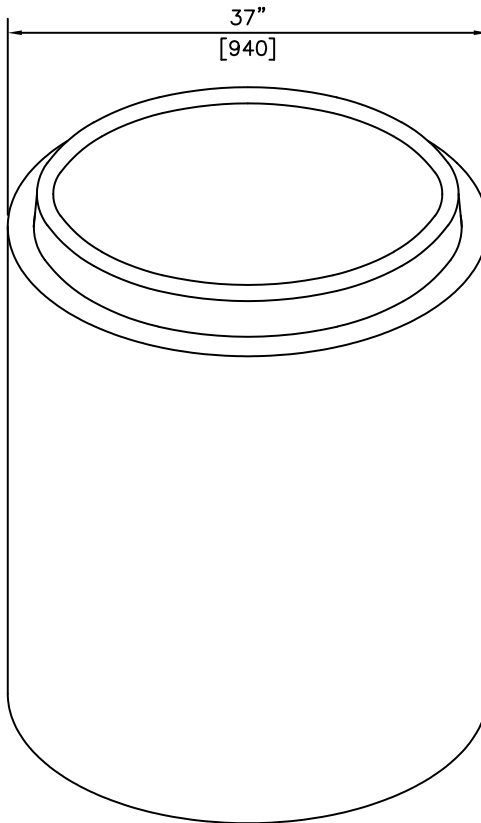
**SECTION**

**NOTES:**

- 1) MEETS OR EXCEEDS ASTM C478
- 2) 27.6 MPa @ 28 DAYS
- 3) MEETS H-20 LOADING

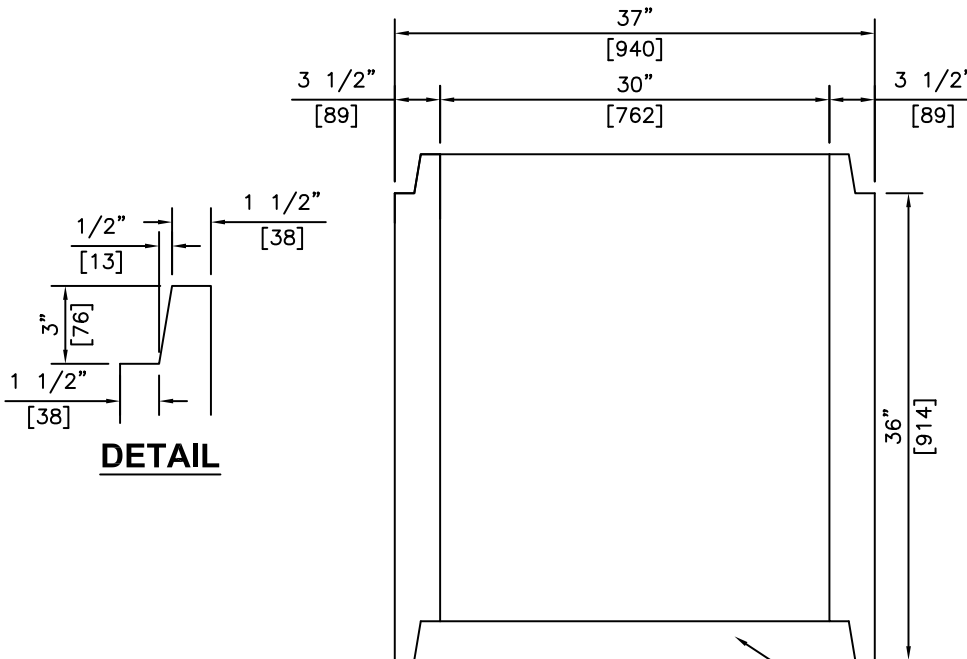
REVISED: MAR 6 2006

 <p><b>KON KAST</b> products (2005) Ltd. "Committed To Quality And Service"</p>	<p>3440 UNIVERSITY WAY KELOWNA B.C. V1V 1V9 PH: (250)765-1423 FX: (250)765-0820</p>	BY: PKR	<p><b>RECTANGULAR CATCH BASIN (VERNON STYLE)</b></p>	ITEM NO.
		DATE: FEB 10 05		<p><b>806</b></p>
		SCALE: NTS		



NOTE:  
c/w 2-2 3/16" UNI-LIFT  
ANCHORS FOR HANDLING

**ISOMETRIC**



**SECTION**

BASE - PREFABRICATED BY KON KAST  
OR CAST IN PLACE BY CONTRACTOR

REVISED: MAR 28 2006

**NOTES:**

- 1) 27.6 MPa @ 28 DAYS
- 2) MEETS H-20 LOADING

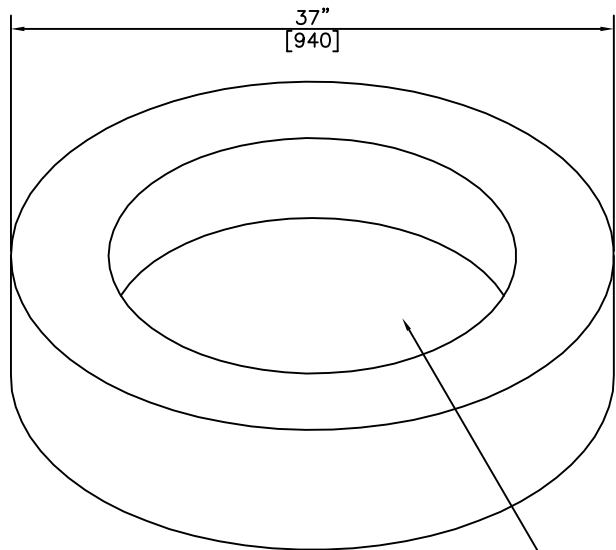
**KON KAST**  
products (2005) Ltd.  
"Committed To Quality And Service"

3440 UNIVERSITY WAY  
KELOWNA B.C.  
V1V 1V9  
PH: (250)765-1423  
FX: (250)765-0820

BY: PKR  
DATE: FEB 11 05  
SCALE: NTS

**30" (750) I.D.**  
**CATCH BASIN**  
**36" (914) HEIGHT**

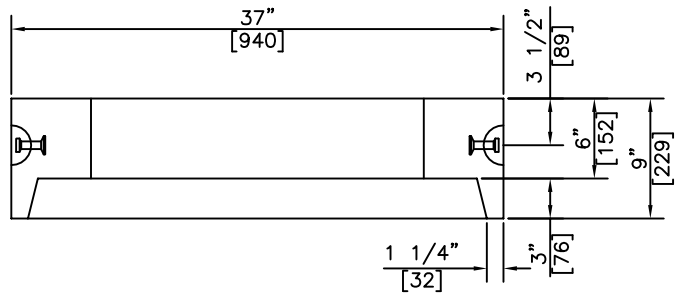
ITEM NO.  
**807**



**ISOMETRIC**

ø25" (635) OPENING  
CENTERED IN LID


NOTE:  
c/w 3-3 3/8" LIFTING  
ANCHORS FOR HANDLING

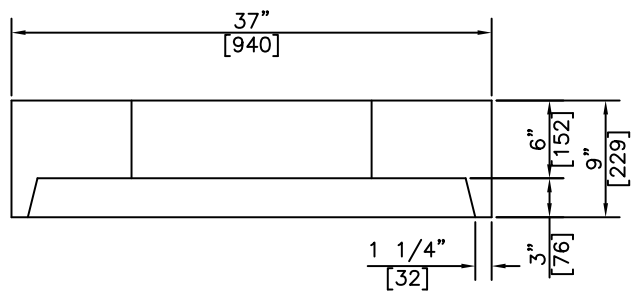
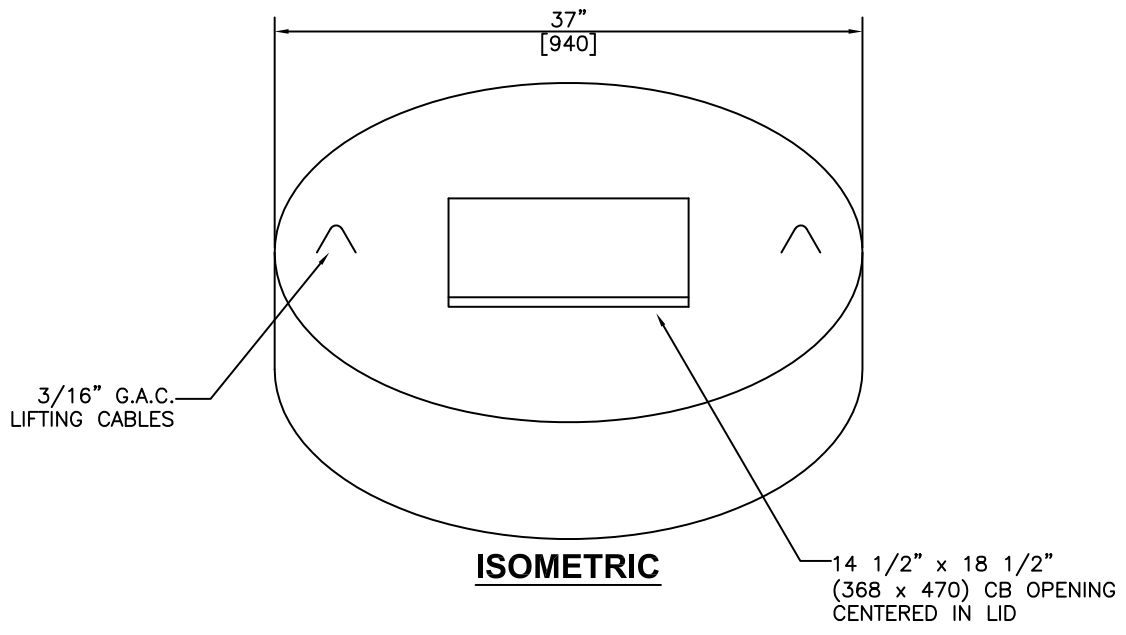


**SECTION**

- NOTES:**
- 1) MEETS OR EXCEEDS ASTM C478
  - 2) 27.6 MPa @ 28 DAYS
  - 3) MEETS H-20 LOADING

REVISED: JAN 6 2011

 <p><b>KON KAST</b> products (2005) Ltd. "Committed To Quality And Service"</p>	<p>3440 UNIVERSITY WAY KELOWNA B.C. V1V 1V9 PH: (250)765-1423 FX: (250)765-0820</p>	BY: PKR	<p><b>37" (940) O.D. LID</b> <b>25" (635) OPENING FOR</b> <b>30" (750) CATCH BASIN</b></p>	ITEM NO.
		DATE: JAN 6 11		<p><b>808-25</b></p>
		SCALE: NTS		




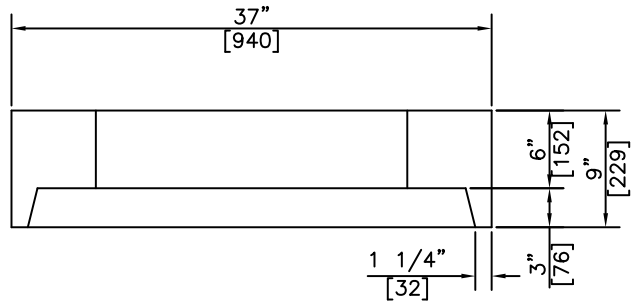
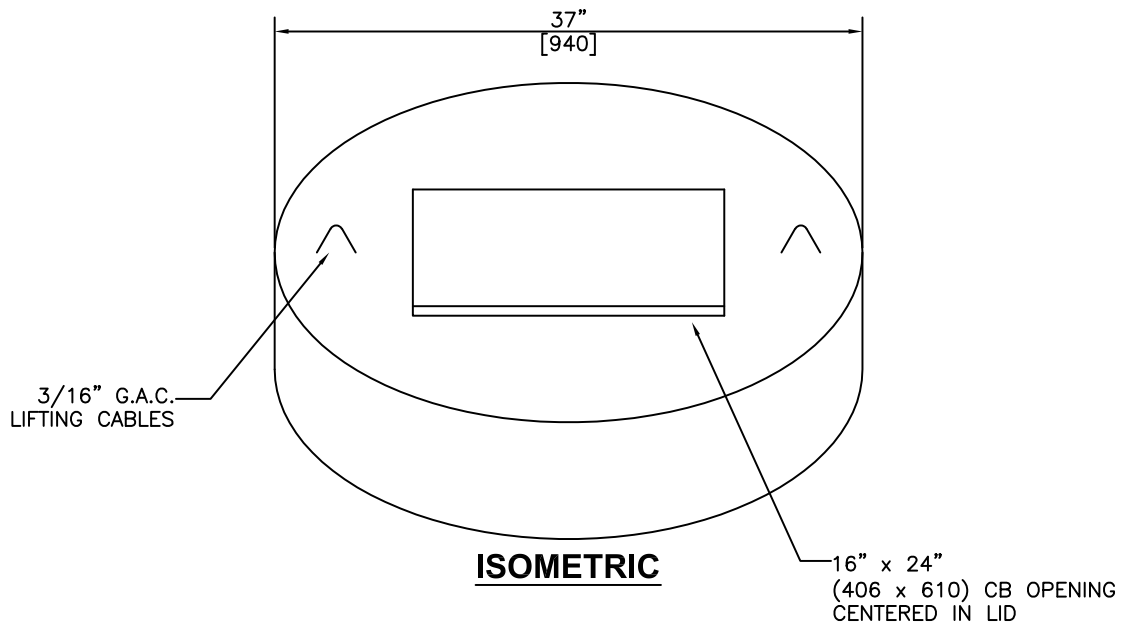
**SECTION**

**NOTES:**

- 1) MEETS OR EXCEEDS ASTM C478
- 2) 27.6 MPa @ 28 DAYS
- 3) MEETS H-20 LOADING


REVISED: FEB 10 2005

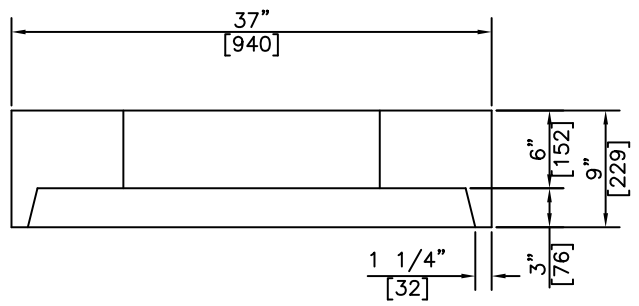
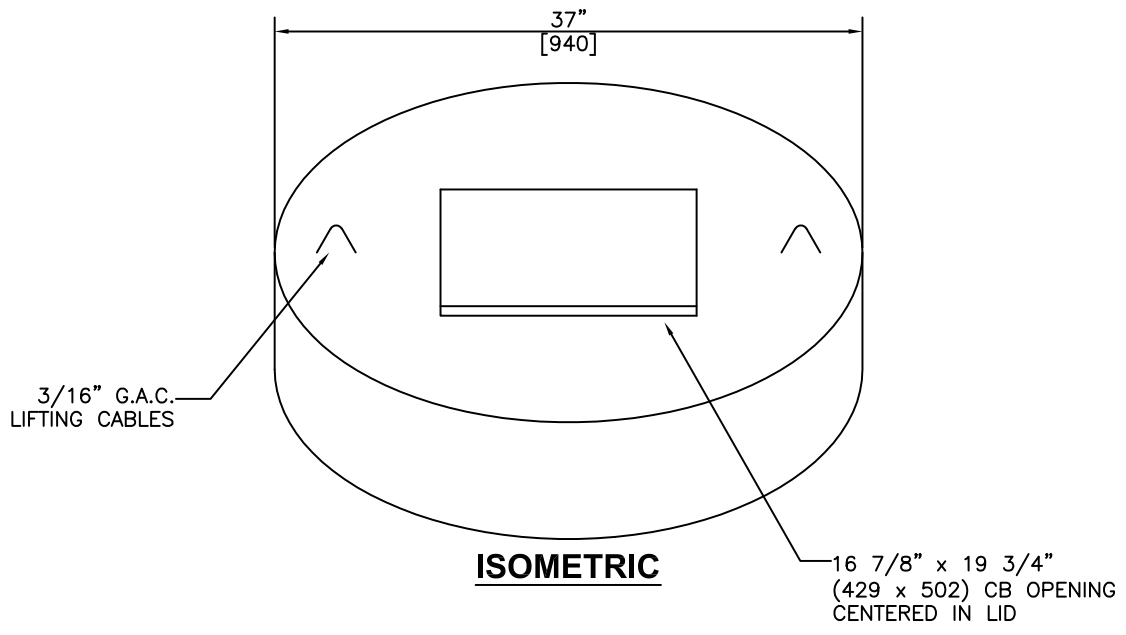
 <p><b>KON KAST</b> products (2005) Ltd. "Committed To Quality And Service"</p>	<p>3440 UNIVERSITY WAY KELOWNA B.C. V1V 1V9 PH: (250)765-1423 FX: (250)765-0820</p>	<p>BY: PKR</p>	<p><b>37" (940) O.D. LID</b> <b>B37 OPENING FOR</b> <b>30" (750) CATCH BASIN</b></p>	<p>ITEM NO.</p>
		<p>DATE: FEB 10 05</p>		<p><b>808B</b></p>
		<p>SCALE: NTS</p>		



- NOTES:**
- 1) MEETS OR EXCEEDS ASTM C478
  - 2) 27.6 MPa @ 28 DAYS
  - 3) MEETS H-20 LOADING


REVISED: FEB 10 2005

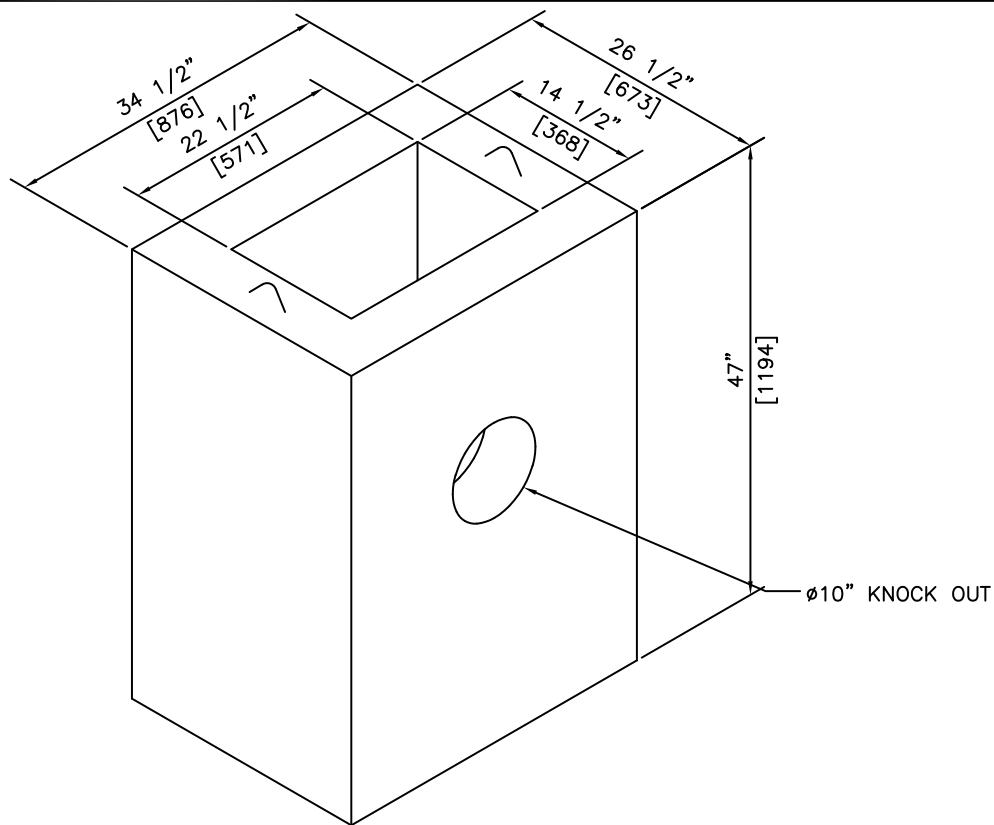
 <p><b>KON KAST</b> products (2005) Ltd. "Committed To Quality And Service"</p>	<p>3440 UNIVERSITY WAY KELOWNA B.C. V1V 1V9 PH: (250)765-1423 FX: (250)765-0820</p>	BY: PKR	<p><b>37" (940) O.D. LID</b> <b>HWYS OPENING FOR</b> <b>30" (750) CATCH BASIN</b></p>	ITEM NO.
		DATE: FEB 10 05		<p><b>808H</b></p>
		SCALE: NTS		



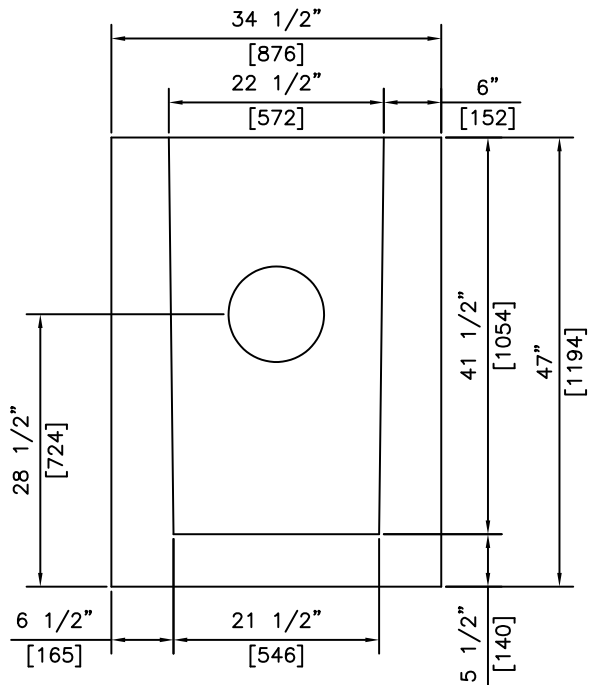
- NOTES:**
- 1) MEETS OR EXCEEDS ASTM C478
  - 2) 27.6 MPa @ 28 DAYS
  - 3) MEETS H-20 LOADING

REVISED: FEB 10 2005

 <b>KON KAST</b> products (2005) Ltd. "Committed To Quality And Service"	3440 UNIVERSITY WAY KELOWNA B.C. V1V 1V9 PH: (250)765-1423 FX: (250)765-0820	BY: PKR DATE: FEB 10 05 SCALE: NTS	<b>37" (940) O.D.</b> <b>TK7 OPENING FOR</b> <b>30" (750) CATCH BASIN</b>	ITEM NO. <b>808R</b>



**ISOMETRIC**



**SECTION**

**NOTES:**

- 1) MEETS OR EXCEEDS ASTM C478
- 2) 27.6 MPa @ 28 DAYS
- 3) MEETS H-25 LOADING

REVISED: FEB 10 2005

**KON KAST**  
products (2005) Ltd.  
"Committed To Quality And Service"

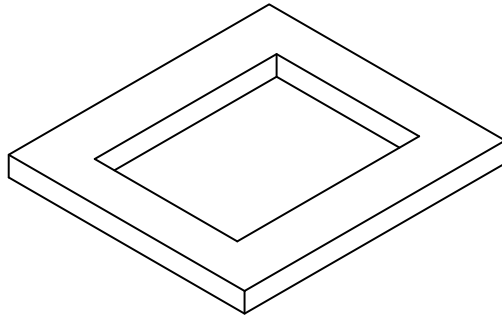
3440 UNIVERSITY WAY  
KELOWNA B.C.  
V1V 1V9  
PH: (250)765-1423  
FX: (250)765-0820

BY: PKR  
DATE: FEB 10 05  
SCALE: NTS

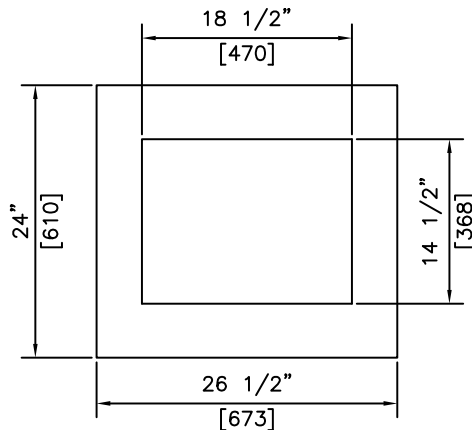
**HEAVY  
CATCH BASIN  
H-25 LOADING**

ITEM NO.  
**809**





**ISOMETRIC**



**PLAN**




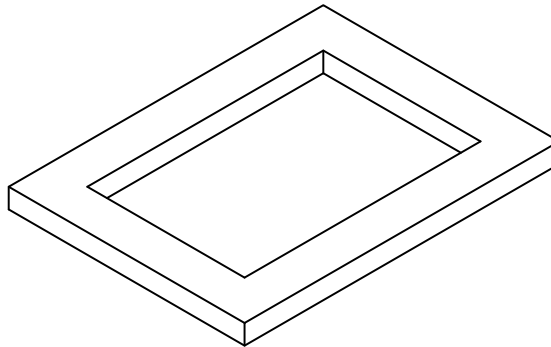
**SECTION**

**NOTES:**

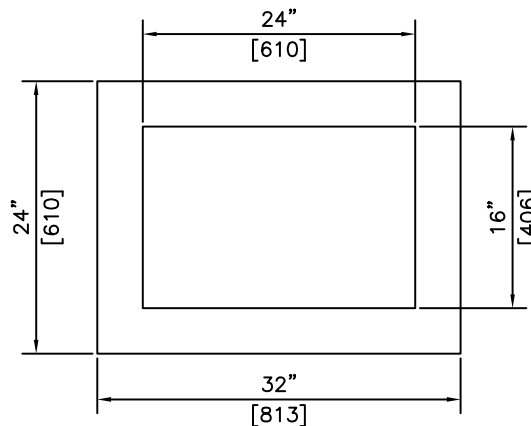
- 1) MEETS OR EXCEEDS ASTM C478
- 2) 27.6 MPa @ 28 DAYS
- 3) MEETS H-20 LOADING

REVISED: FEB 10 2005

 <b>KON KAST</b> products (2005) Ltd. "Committed To Quality And Service"	3440 UNIVERSITY WAY KELOWNA B.C. V1V 1V9 PH: (250)765-1423 FX: (250)765-0820	BY: PKR	<b>2" (51) C.B.</b> <b>GRADE RING</b> <b>B37 OPENING</b>	ITEM NO.
		DATE: FEB 10 05		<b>810B</b>
		SCALE: NTS		



**ISOMETRIC**



**PLAN**




**SECTION**

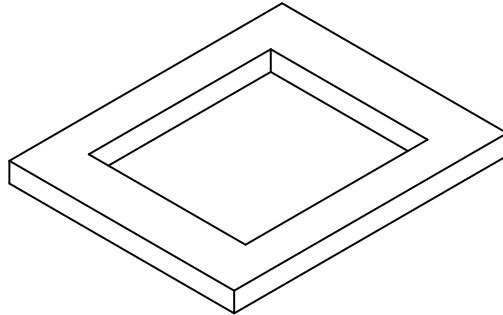
NOTE:  
ALSO USED FOR  
SIDE DRAIN OPENING

**NOTES:**

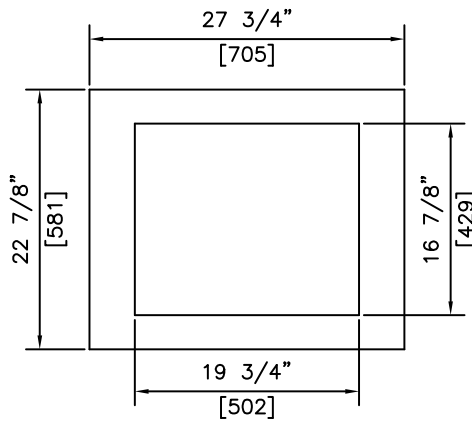
- 1) MEETS OR EXCEEDS ASTM C478
- 2) 27.6 MPa @ 28 DAYS
- 3) MEETS H-20 LOADING

REVISED: FEB 10 2005

 <p><b>KON KAST</b> products (2005) Ltd. "Committed To Quality And Service"</p>	<p>3440 UNIVERSITY WAY KELOWNA B.C. V1V 1V9 PH: (250)765-1423 FX: (250)765-0820</p>	BY: PKR	<p><b>2" (51) C.B.</b> <b>GRADE RING</b> <b>HWYS OPENING</b></p>	ITEM NO.
		DATE: FEB 10 05		<p><b>810H</b></p>
		SCALE: NTS		



**ISOMETRIC**



**PLAN**



**SECTION**

**NOTES:**

- 1) MEETS OR EXCEEDS ASTM C478
- 2) 27.6 MPa @ 28 DAYS

REVISED: FEB 10 2005



"Committed To Quality And Service"

**KON KAST**

products (2005) Ltd.

3440 UNIVERSITY WAY  
KELOWNA B.C.  
V1V 1V9

PH: (250)765-1423

FX: (250)765-0820

BY: PKR

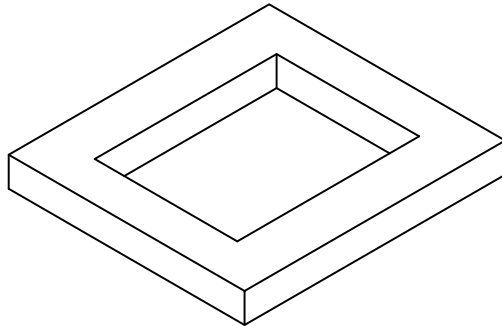
DATE: FEB 10 05

SCALE: NTS

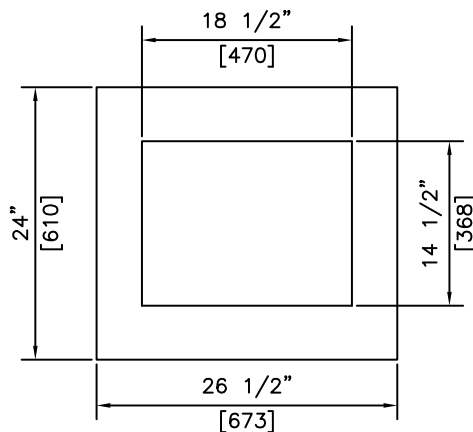
**2" (51) C.B.  
GRADE RING  
RB7 OPENING**

ITEM NO.

**810R**



**ISOMETRIC**



**PLAN**




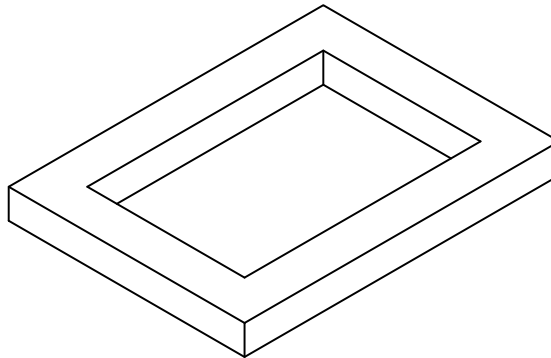
**SECTION**

**NOTES:**

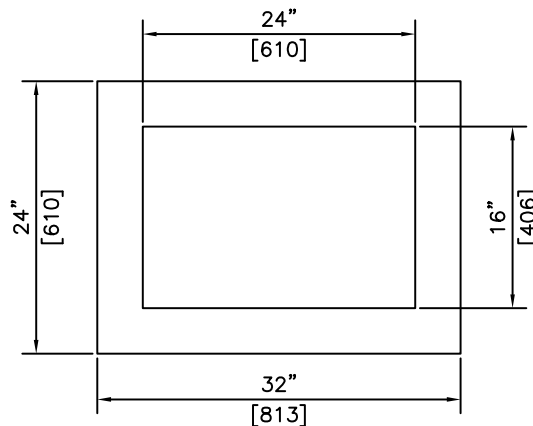
- 1) MEETS OR EXCEEDS ASTM C478
- 2) 27.6 MPa @ 28 DAYS
- 3) MEETS H-20 LOADING

REVISED: FEB 10 2005

 <b>KON KAST</b> products (2005) Ltd. "Committed To Quality And Service"	3440 UNIVERSITY WAY KELOWNA B.C. V1V 1V9 PH: (250)765-1423 FX: (250)765-0820	BY: PKR DATE: FEB 10 05 SCALE: NTS	<b>3" (76) C.B.</b> <b>GRADE RING</b> <b>B37 OPENING</b>	ITEM NO. <b>811B</b>



**ISOMETRIC**



**PLAN**




**SECTION**

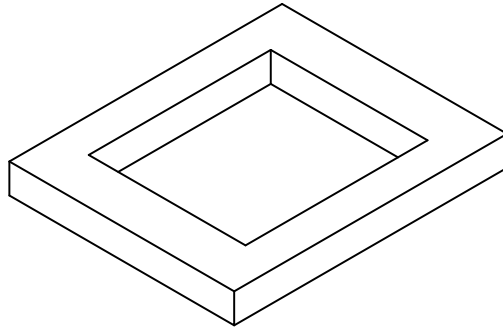
NOTE:  
ALSO USED FOR  
SIDE DRAIN OPENING

**NOTES:**

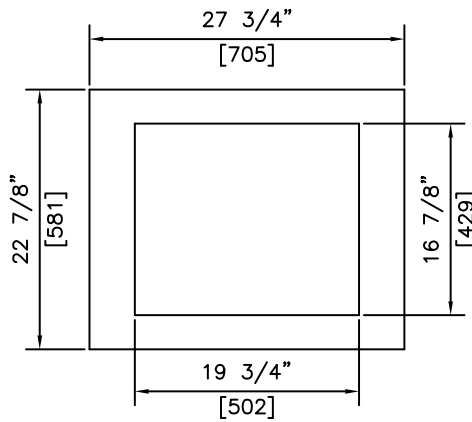
- 1) MEETS OR EXCEEDS ASTM C478
- 2) 27.6 MPa @ 28 DAYS
- 3) MEETS H-20 LOADING

REVISED: FEB 10 2005

 <p><b>KON KAST</b> products (2005) Ltd. "Committed To Quality And Service"</p>	<p>3440 UNIVERSITY WAY KELOWNA B.C. V1V 1V9 PH: (250)765-1423 FX: (250)765-0820</p>	BY: PKR	<p><b>3" (76) C.B.</b> <b>GRADE RING</b> <b>HWYS OPENING</b></p>	ITEM NO.
		DATE: FEB 10 05		<p><b>811H</b></p>
		SCALE: NTS		



**ISOMETRIC**



**PLAN**



**SECTION**

**NOTES:**

- 1) MEETS OR EXCEEDS ASTM C478
- 2) 27.6 MPa @ 28 DAYS

REVISED: FEB 10 2005



"Committed To Quality And Service"

**KON KAST**

products (2005) Ltd.

3440 UNIVERSITY WAY  
KELOWNA B.C.  
V1V 1V9

PH: (250)765-1423

FX: (250)765-0820

BY: PKR

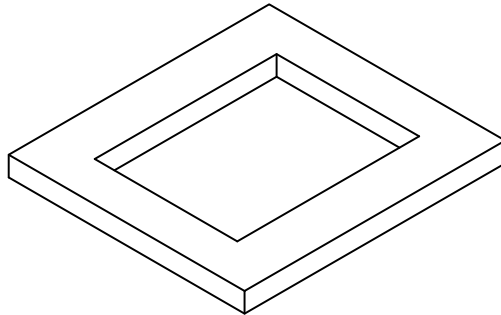
DATE: FEB 10 05

SCALE: NTS

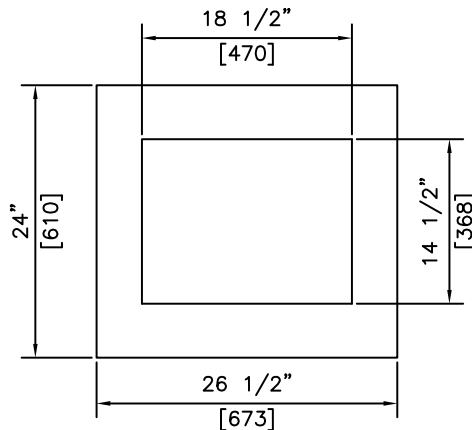
**3" (76) C.B.  
GRADE RING  
RB7 OPENING**

ITEM NO.

**811R**



**ISOMETRIC**



**PLAN**




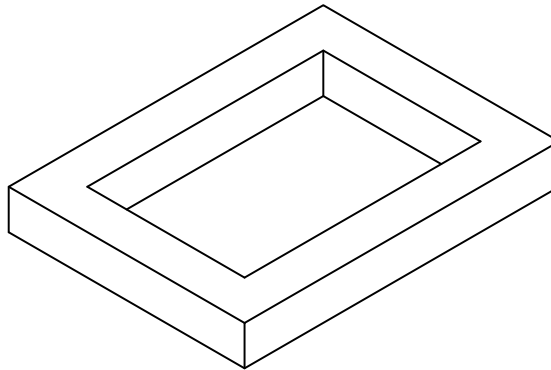
**SECTION**

**NOTES:**

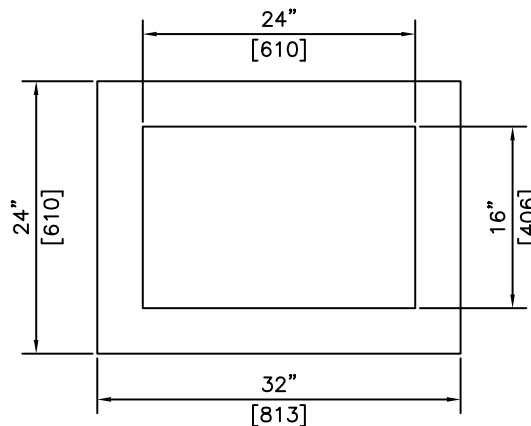
- 1) MEETS OR EXCEEDS ASTM C478
- 2) 27.6 MPa @ 28 DAYS
- 3) MEETS H-20 LOADING

REVISED: FEB 10 2005

 <b>KON KAST</b> products (2005) Ltd. "Committed To Quality And Service"	3440 UNIVERSITY WAY KELOWNA B.C. V1V 1V9 PH: (250)765-1423 FX: (250)765-0820	BY: PKR DATE: FEB 10 05 SCALE: NTS	<b>4" (102) C.B.</b> <b>GRADE RING</b> <b>B37 OPENING</b>	ITEM NO. <b>812B</b>



**ISOMETRIC**



**PLAN**




**SECTION**

NOTE:  
ALSO USED FOR  
SIDE DRAIN OPENING

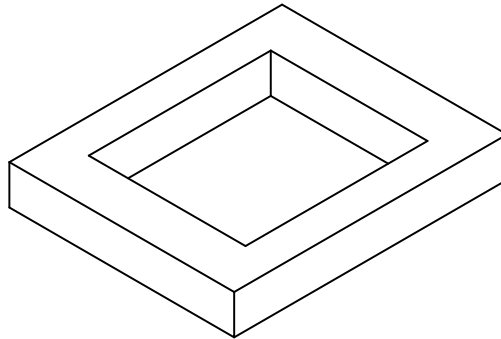
**NOTES:**

- 1) MEETS OR EXCEEDS ASTM C478
- 2) 27.6 MPa @ 28 DAYS
- 3) MEETS H-20 LOADING

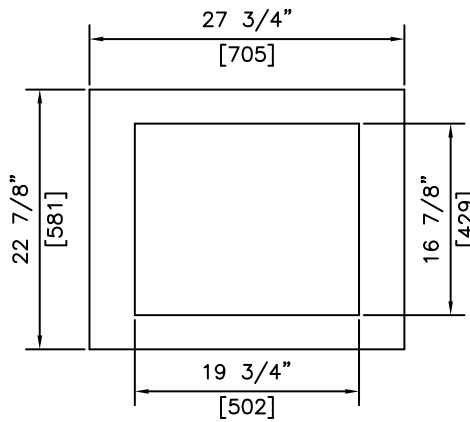
REVISED: FEB 10 2005

 <p><b>KON KAST</b> products (2005) Ltd. "Committed To Quality And Service"</p>	<p>3440 UNIVERSITY WAY KELOWNA B.C. V1V 1V9 PH: (250)765-1423 FX: (250)765-0820</p>	BY: PKR	<p><b>4" (102) C.B.</b> <b>GRADE RING</b> <b>HWYS OPENING</b></p>	ITEM NO.
		DATE: FEB 10 05		<p><b>812H</b></p>
		SCALE: NTS		

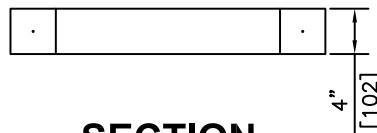




**ISOMETRIC**



**PLAN**




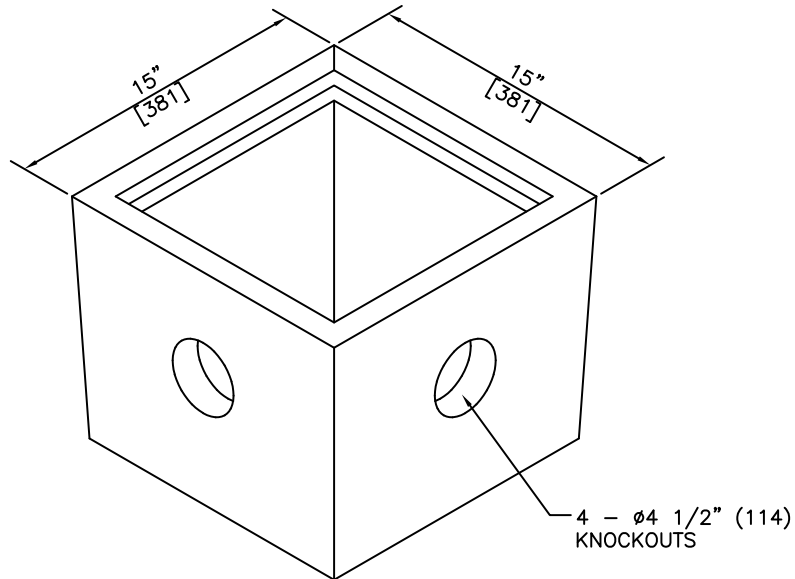
**SECTION**

**NOTES:**

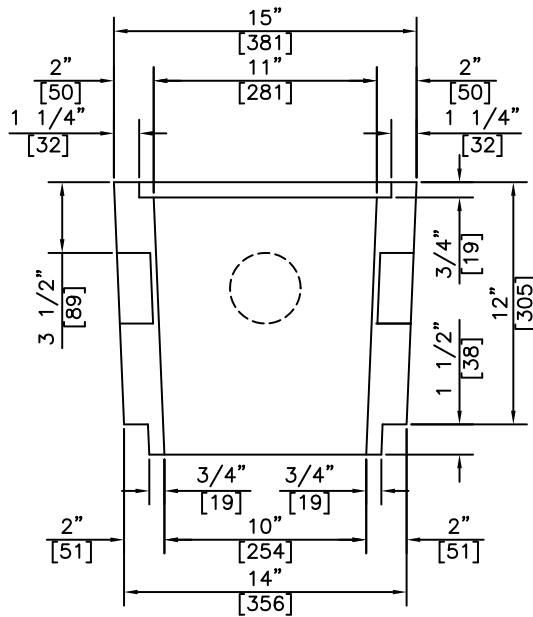
- 1) MEETS OR EXCEEDS ASTM C478
- 2) 27.6 MPa @ 28 DAYS

REVISED: FEB 10 2005

 <p><b>KON KAST</b> products (2005) Ltd. "Committed To Quality And Service"</p>	<p>3440 UNIVERSITY WAY KELOWNA B.C. V1V 1V9 PH: (250)765-1423 FX: (250)765-0820</p>	BY: PKR	<p><b>4" (102) C.B.</b> <b>GRADE RING</b> <b>RB7 OPENING</b></p>	ITEM NO.
		DATE: FEB 10 05		<p><b>812R</b></p>
		SCALE: NTS		



**ISOMETRIC**



**ISOMETRIC**

**NOTES:**

- 1) 25 MPa @ 28 DAYS
- 2) AVAILABLE WITH A POURED IN BASE ALSO

REVISED: FEB 10 2005



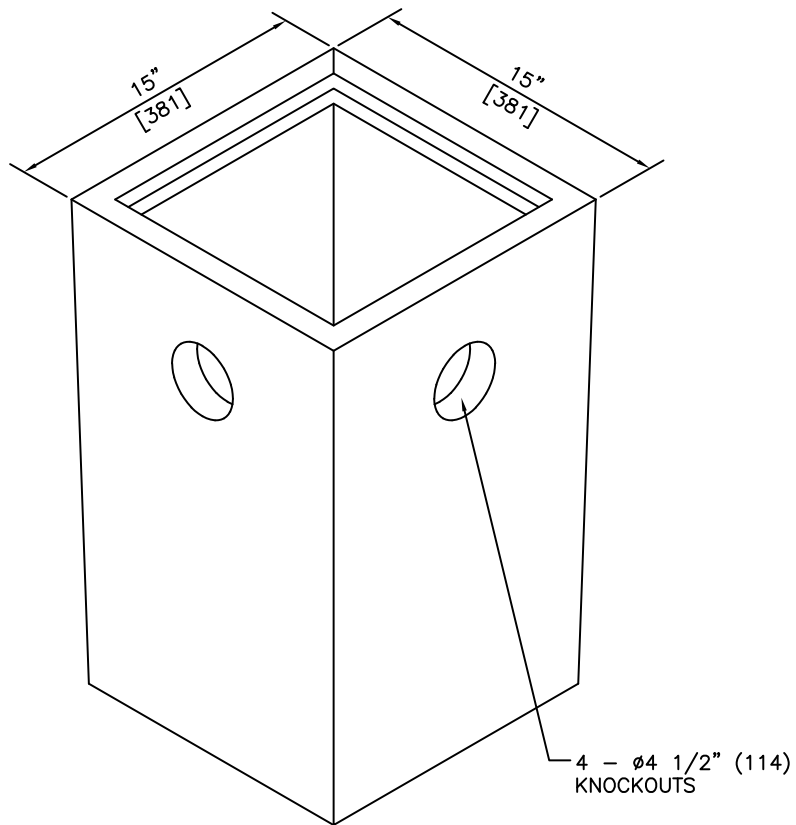
**KON KAST**  
products (2005) Ltd.  
"Committed To Quality And Service"

3440 UNIVERSITY WAY  
KELOWNA B.C.  
V1V 1V9  
PH: (250)765-1423  
FX: (250)765-0820

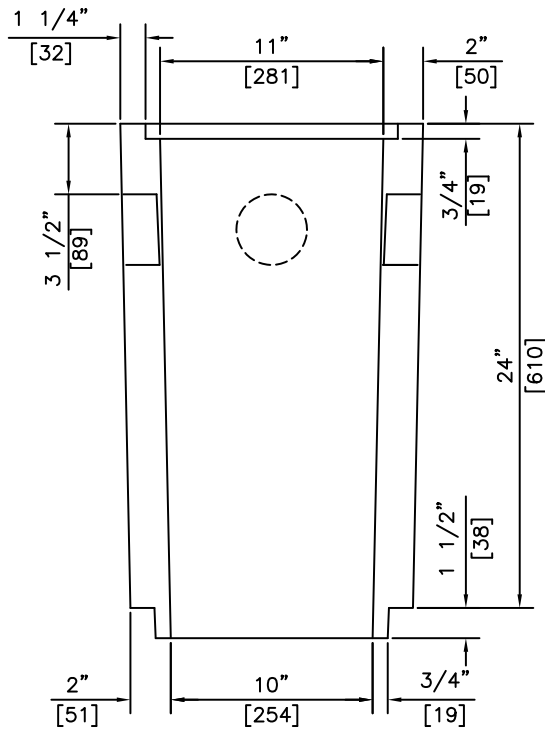
BY: PKR  
DATE: FEB 10 05  
SCALE: NTS

**RESIDENTIAL  
CATCH BASIN  
12" (305) HEIGHT**

ITEM NO.  
**825**



**ISOMETRIC**



**SECTION**

**NOTES:**

- 1) 25 MPa @ 28 DAYS
- 2) AVAILABLE WITH A Poured IN BASE ALSO

REVISED: FEB 10 2005



**KON KAST**  
products (2005) Ltd.  
"Committed To Quality And Service"

3440 UNIVERSITY WAY  
KELOWNA B.C.  
V1V 1V9  
PH: (250)765-1423  
FX: (250)765-0820

BY: PKR

DATE: FEB 10 05

SCALE: NTS

**RESIDENTIAL  
CATCH BASIN  
24" (610) HEIGHT**

ITEM NO.

**826**