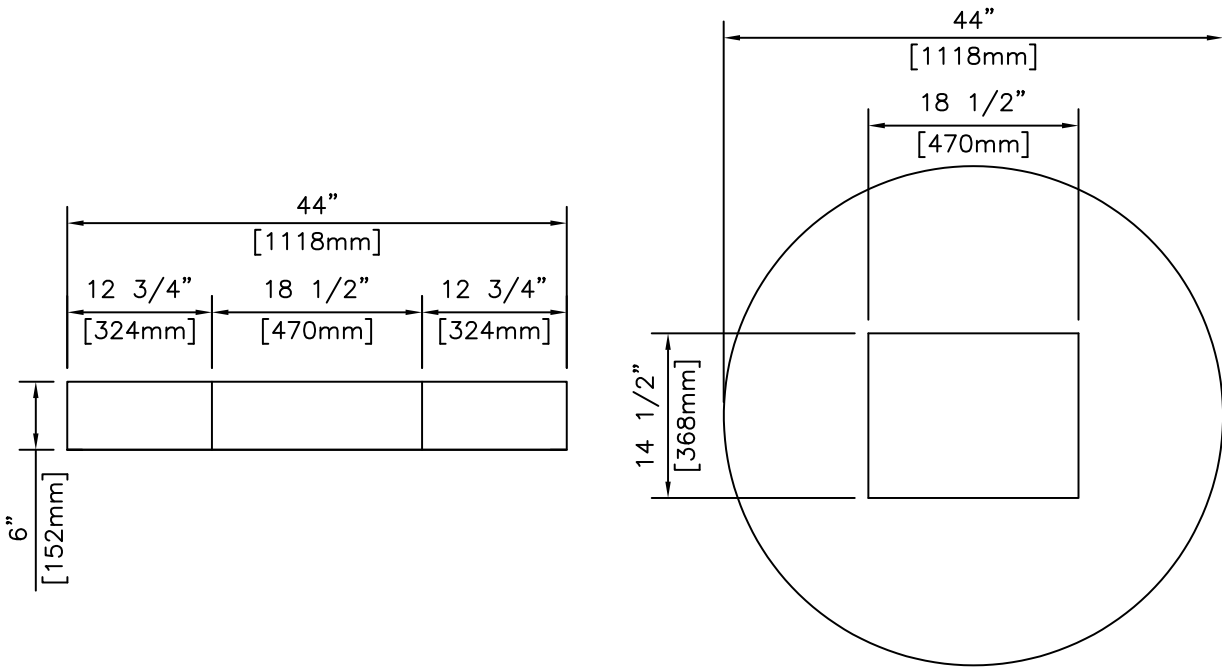


ISOMETRIC



SECTION

PLAN

NOTE: MEETS H-20 LOADING

REVISED: NOV 27 03



KON KAST
products Ltd.

"Committed To Quality And Service"

3440 COLLEGE WAY
KELOWNA, B.C.
V1V-1V9
765-1423
FAX: 765-0820

BY: PKR

DATE: NOV 27 03

SCALE: 1/16

**36" (914) I.D.
CATCH BASIN LID
B37 OPENING**

ITEM NO.

804B