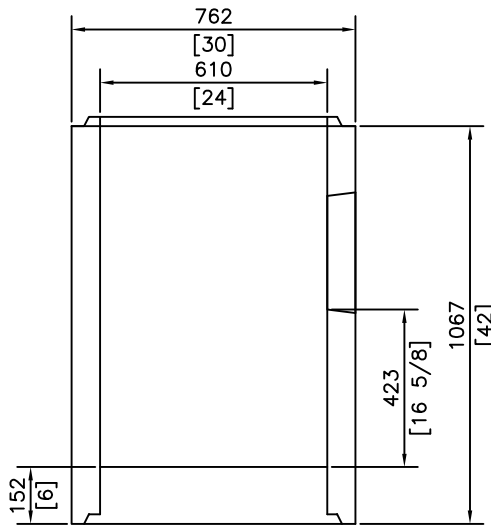
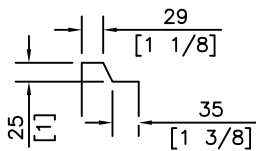


ISOMETRIC



SECTION

DETAIL



THIS CATCHBASIN IS NOT A
MONOLITHIC UNIT. THE BASE IS
POURED INTO THE BARREL.
10M REBAR IS ANCHORED INTO
THE WALL FOR REINFORCEMENT.

MEETS OR EXCEEDS ASTM C478
27.6 MPa @ 28 DAYS
MEETS H-20 LOADING
WEIGHT: 610 kg

REVISED: FEB 25 2016



KON KAST
products (2005) ltd.

ph: (250) 765 1423
fx: (250) 765 0820
www.konkast.com

"Committed To Quality And Service"

DESCRIPTION

**600mm (24") I.D.
CATCH BASIN
x 1067 (42") HEIGHT**

DRAWN BY: PKR
DATE: FEB 9 05
SCALE: NTS

DRAWING:

801A