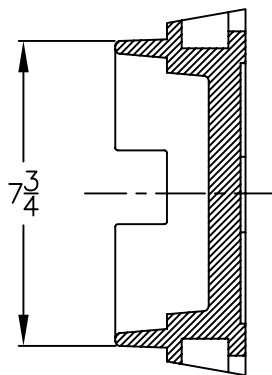
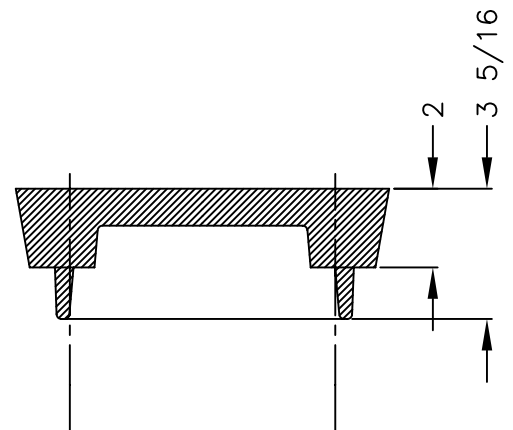


1" HIGH LETTERING



SECTION B-B



SECTION C-C



DOBNEY FOUNDRY LTD.
SURREY B.C.

RATING-HWY LOAD

VALVE BOX LID

NO.
MR-8L