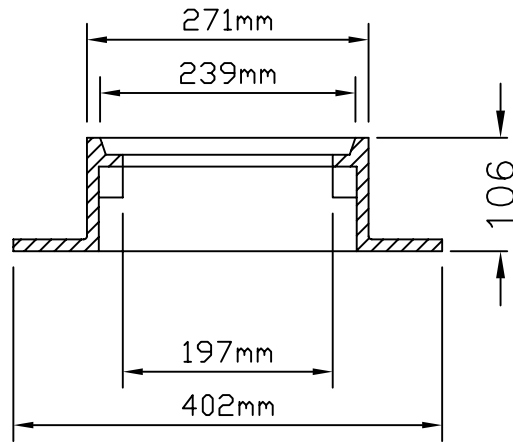
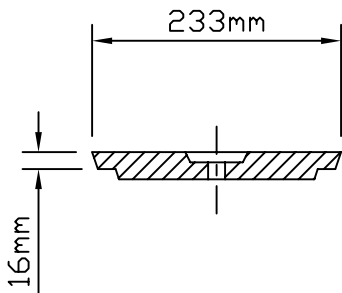
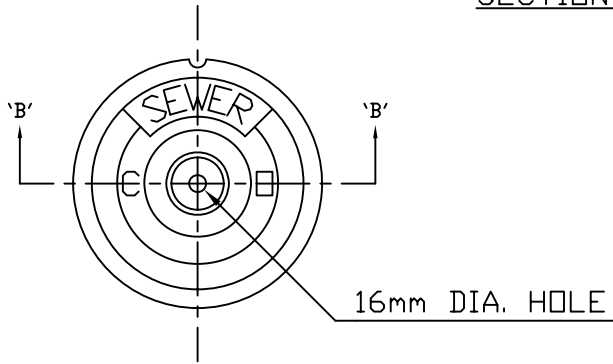


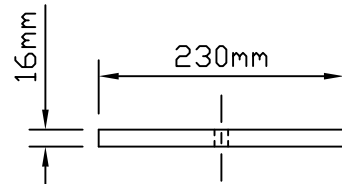
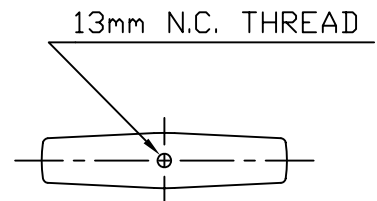
PLAN



SECTION A-A



SECTION B-B



LOCKING BAR

APPROX. WT.  
27KG

<b>DOBNEY</b>		DOBNEY FOUNDRY LTD. SURREY B.C.	
RATING-HWY LOAD			
200 CLEANOUT			NO. D-14A