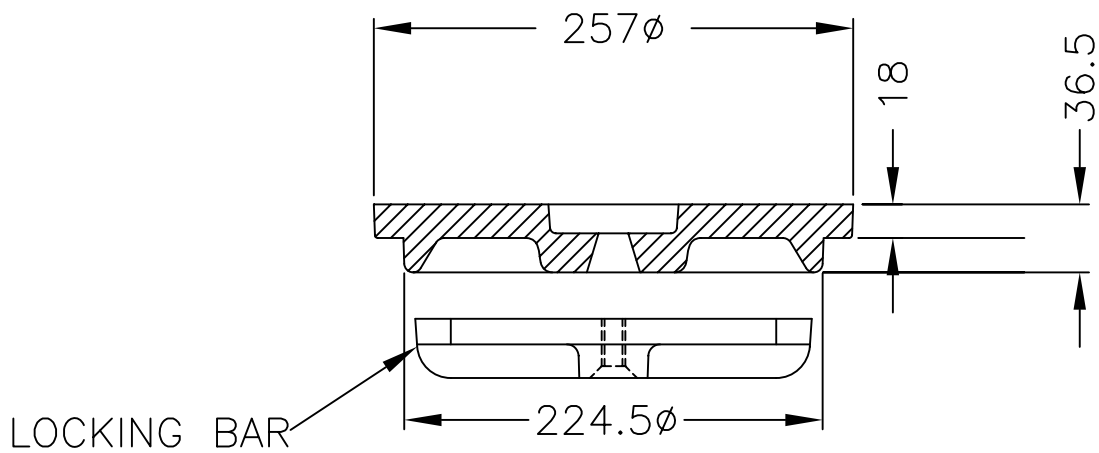



OR



$\phi 257.2$

PLAN



	DOBNEY FOUNDRY LTD. SURREY B.C.
RATING:- HWY LOAD	
LID	NO. D-7