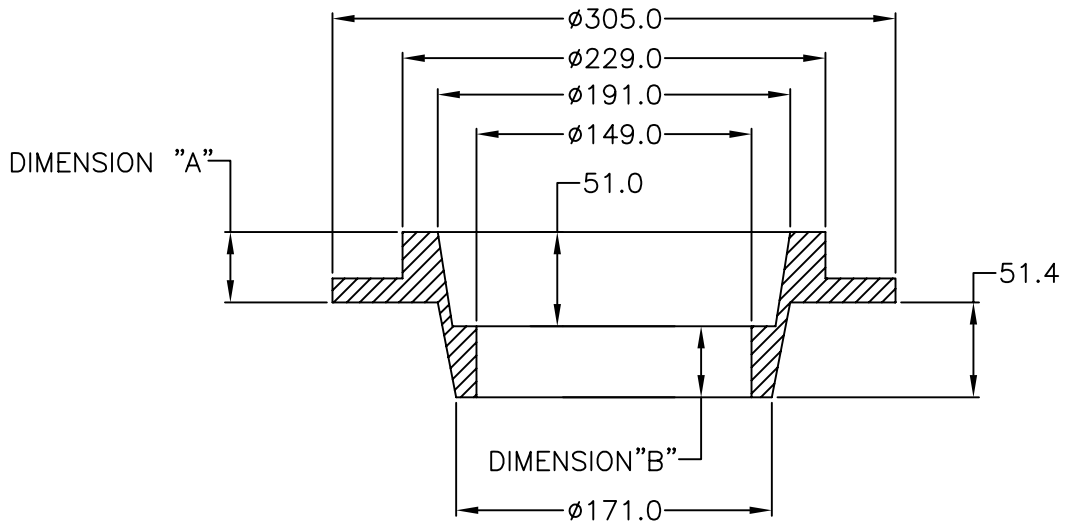


PLAN



DIMENSION "A"		DIMENSION "B"	
INCH	METRIC	INCH	METRIC
1 1/2"	38.1	1.515"	38.5
2"	50.8	2.02"	51.2
2 1/4"	57.2	2.27"	57.6



DOBNEY FOUNDRY LTD.  
SURREY B.C.

RATING-HWY LOAD

NELSON VALVE BOX  
EXTENSION RING

NO.  
D-5A