

DIM	1A	9	9A
A	280mm	345mm	445mm
B	350	425	535
C	150	215	255
D	325	370	470
E	150	215	255
F	180	215	320
G	165	190	305
H	25	25	25
I	25	29	29
J	32	32	38
K	7	10	10
L	10	13	13
Kg	16 Kg	25 Kg	49 Kg

1A, FOR 150mm OUTLETS
 9, FOR 200mm OUTLETS
 9A, FOR 300mm OUTLETS

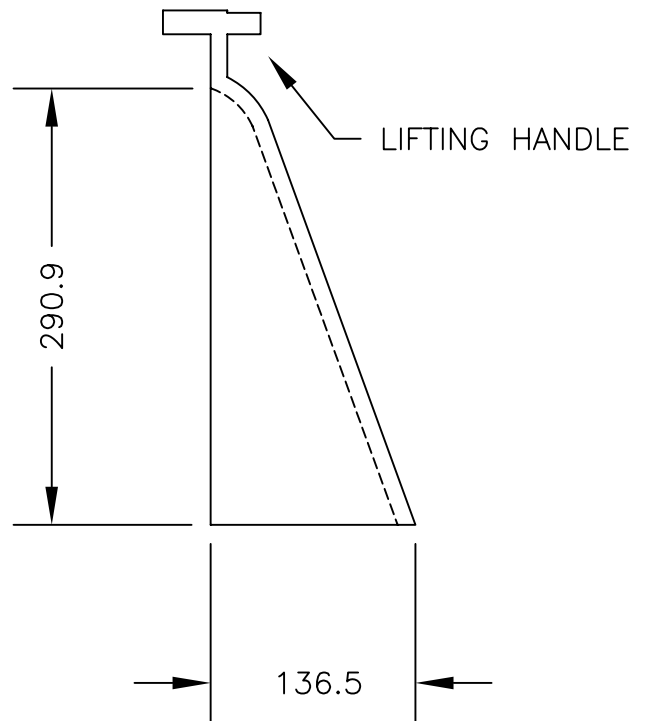
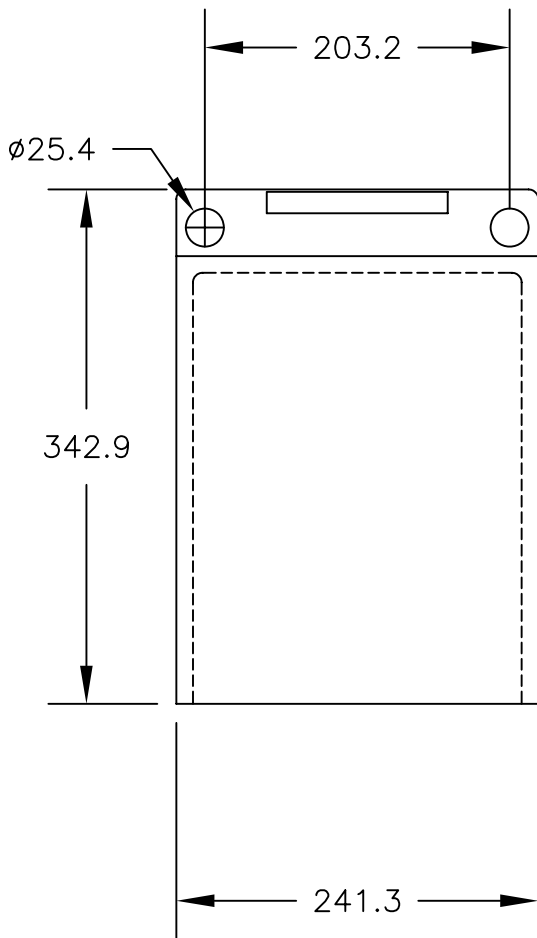
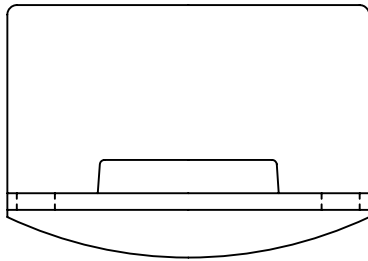
MAT'L - CAST IRON




DOBNEY FOUNDRY LTD.
 SURREY B.C.

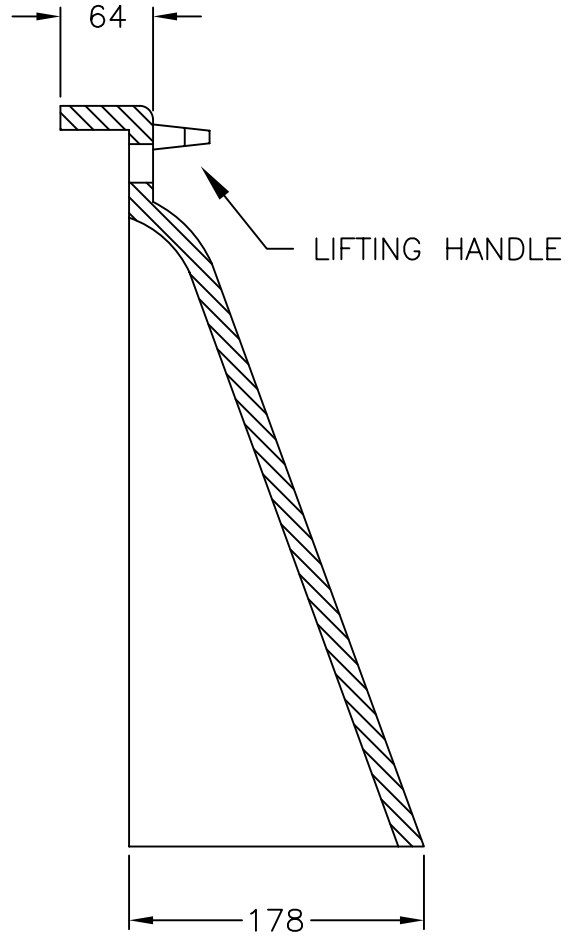
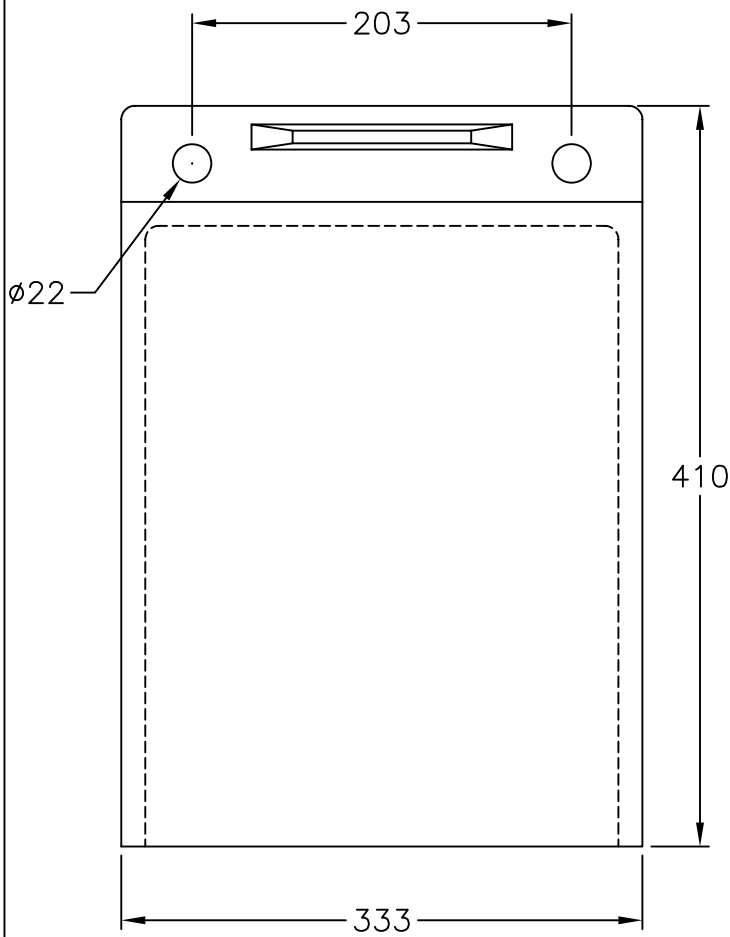
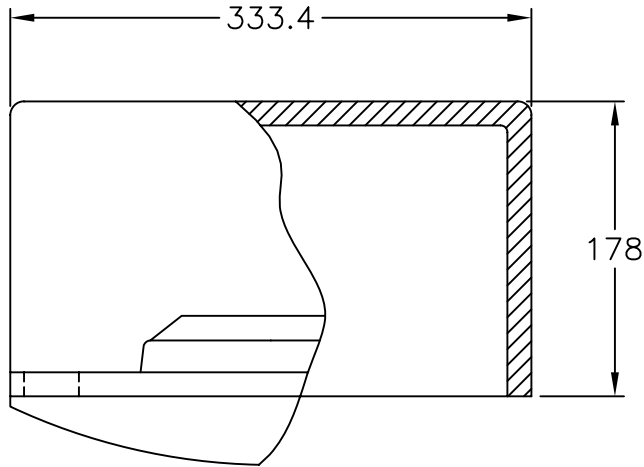
TRAPPING HOODS

NO.
 1A,9,9A



APPROX. WEIGHT
HOOD - 9.5 kg

 DOBNEY FOUNDRY LTD. SURREY B.C.	
RATING-	
TRAPPING HOOD FOR 100, 150, 200mm PIPE	NO. A-10



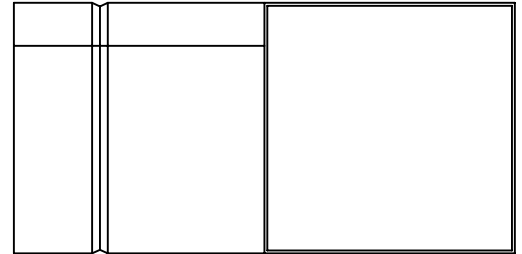
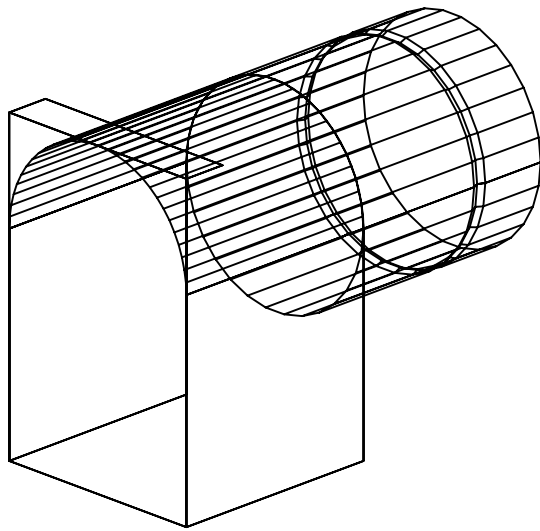
APPROX. WEIGHT
HOOD - 15 kg

DOBNEY DOBNEY FOUNDRY LTD.
SURREY B.C.

RATING-

TRAPPING HOOD
FOR 200, 250, 300mm PIPE

NO.
A-11



PIPE DIAMETER
(SEE TABLE.)

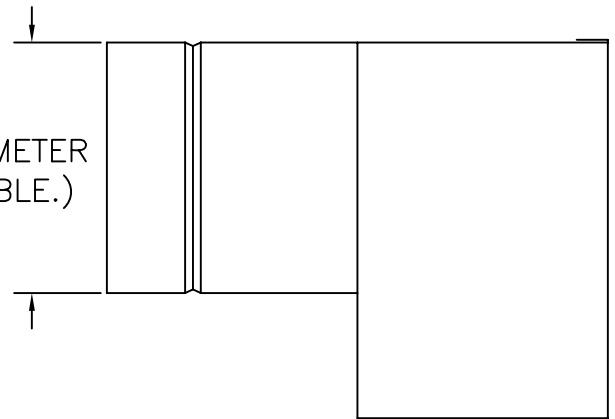


TABLE:

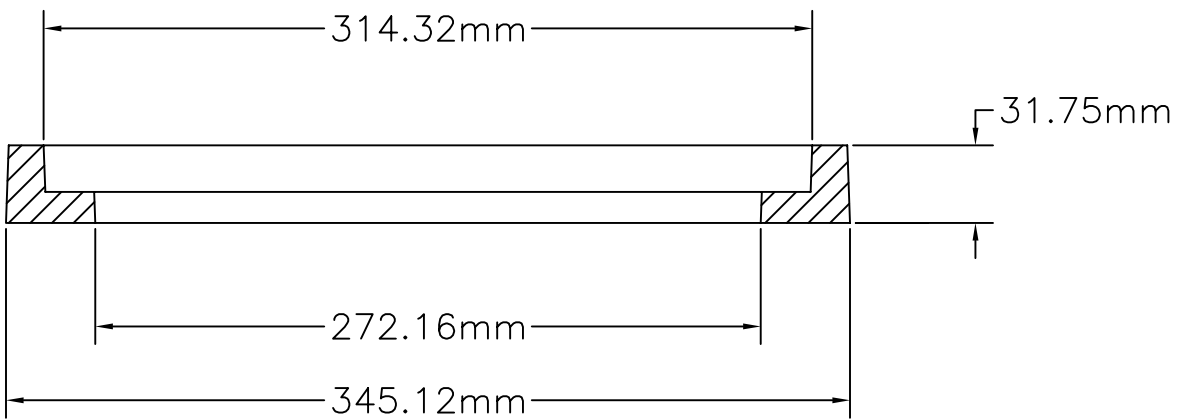
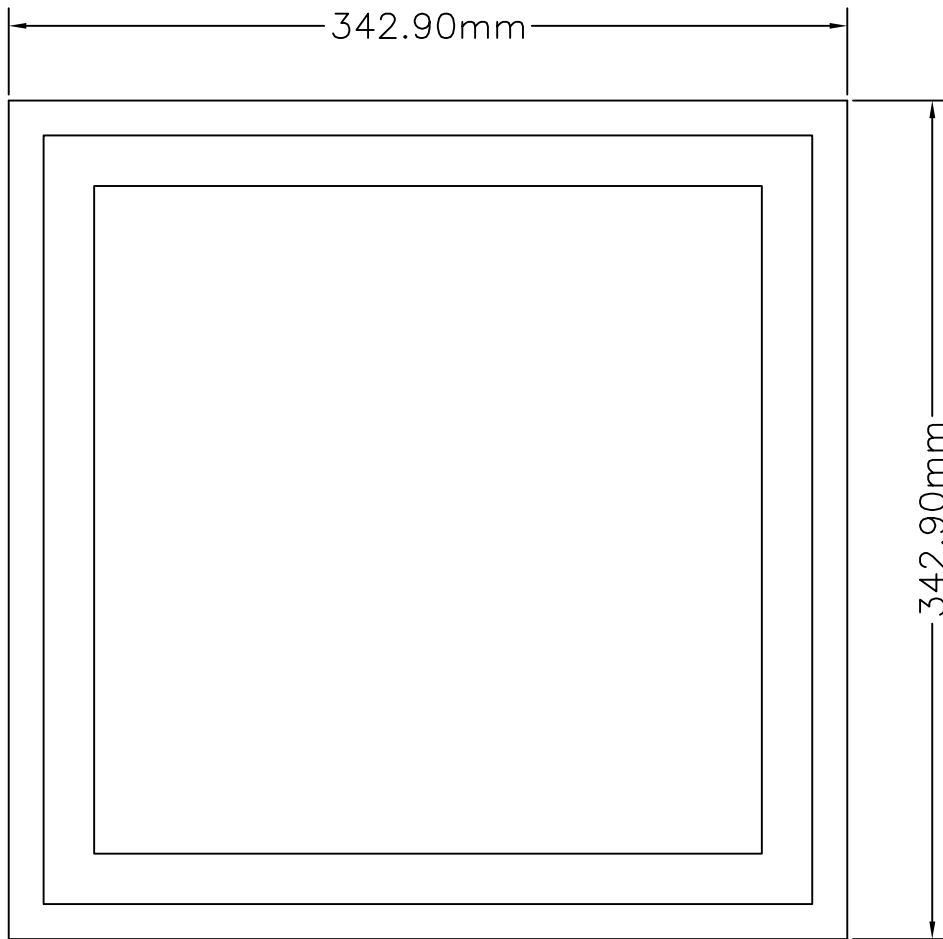
P/N	FOR PIPE DIAMETER
D-16A	4" DIA. (101.6mm)
D-16B	6" DIA. (152.4mm)
D-16C	8" DIA. (203.2mm)
D-16D	10" DIA. (254.0mm)
D-16E	12" DIA. (304.8mm)
D-16F	15" DIA. (381.0mm)
D-16G	16" DIA. (406.4m)
D-16H	18" DIA. (457.2mm)
D-16J	20" DIA. (508.0mm)
D-16K	21" DIA. (533.4mm)
D-16L	24" DIA. (609.6mm)



DOBNEY FOUNDRY LTD.
SURREY B.C.

ALUMINIUM TRAP HOOD

NO.
A-16



APPROX. WEIGHT
FRAME - 7.0KG

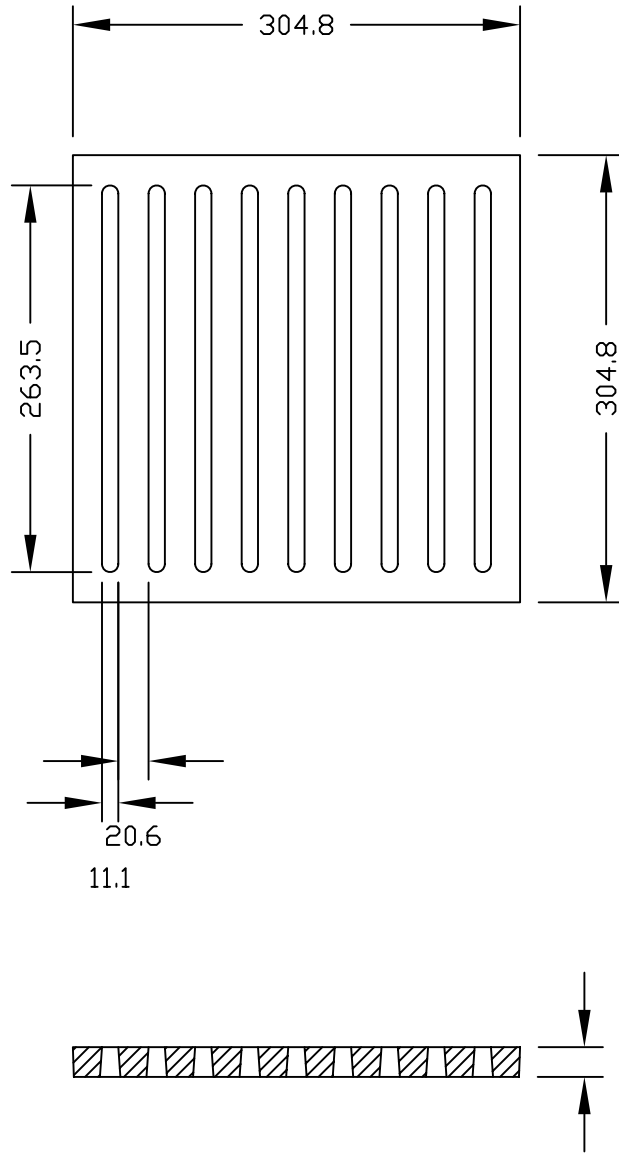


DOBNEY FOUNDRY LTD.
SURREY B.C.


RATING-

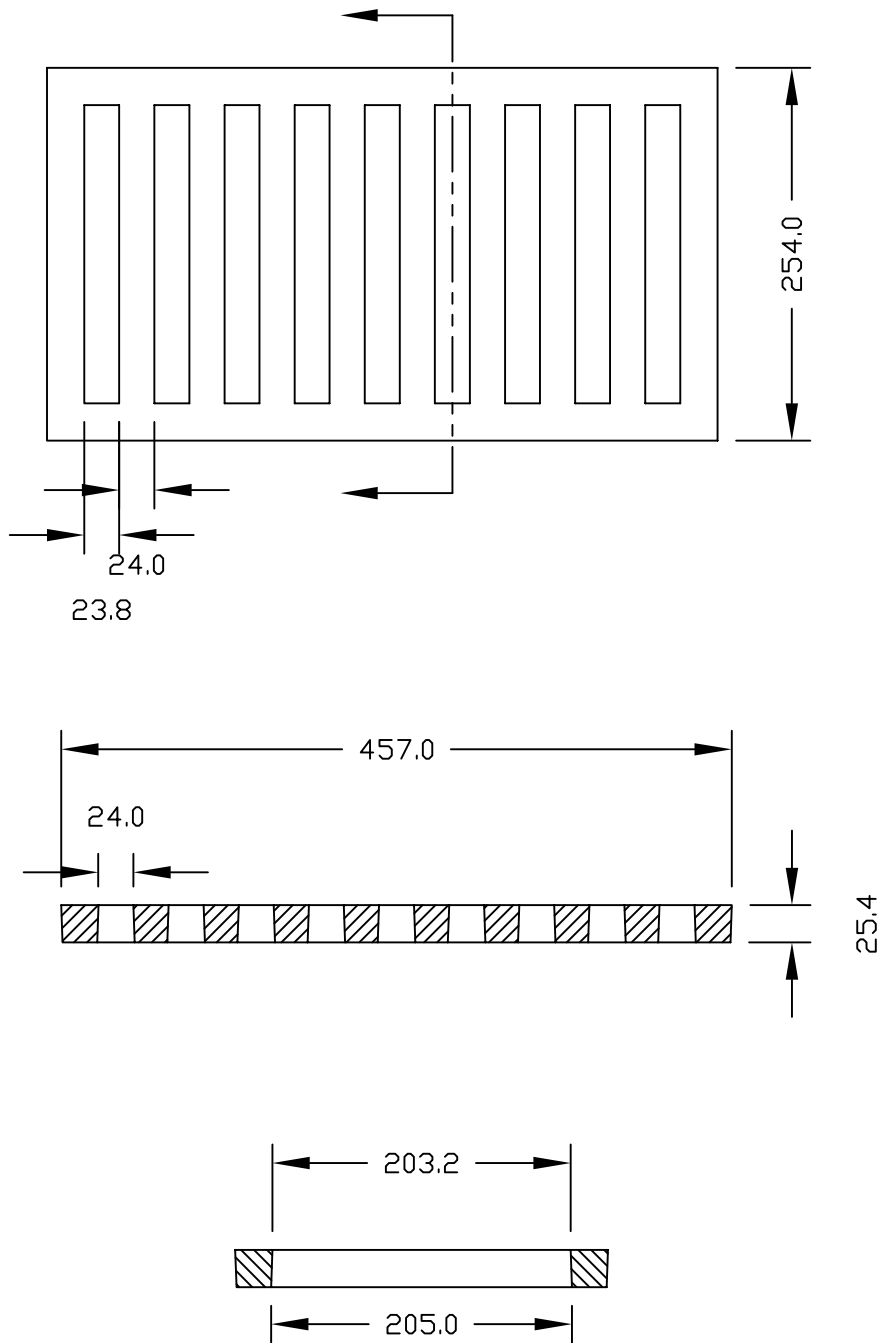
FRAME

NO.
B-5




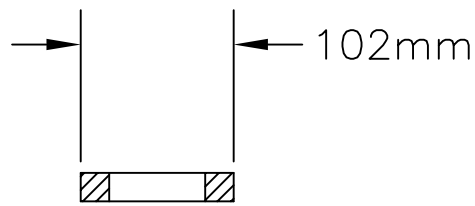
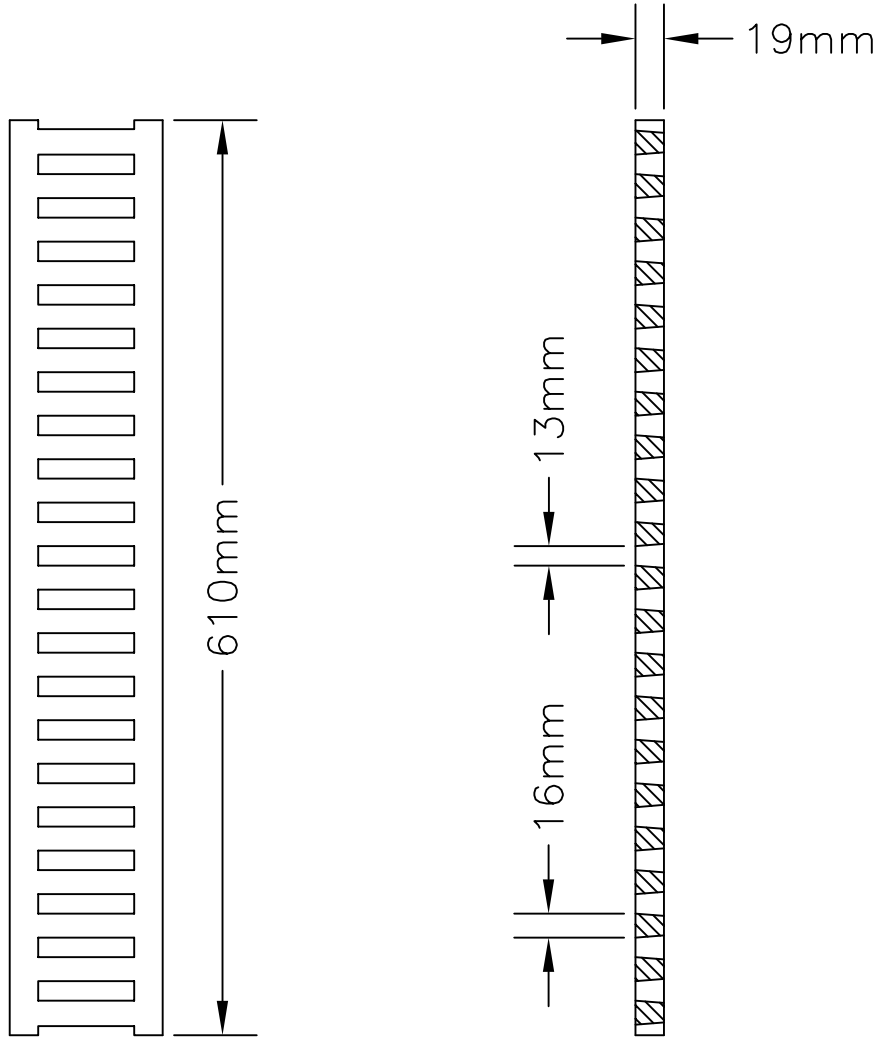
APPROX WEIGHT
GRATE - 7.71 KG.

 DOBNEY FOUNDRY LTD. SURREY B.C.	
RATING-	
DRAINAGE GRATE	NO. B-5




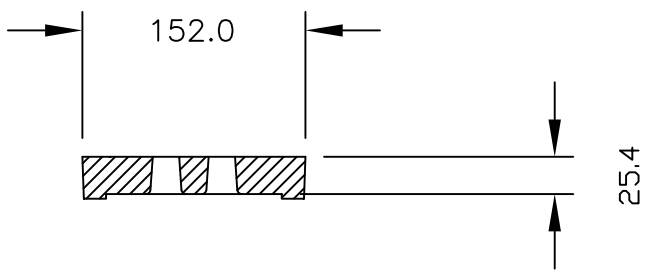
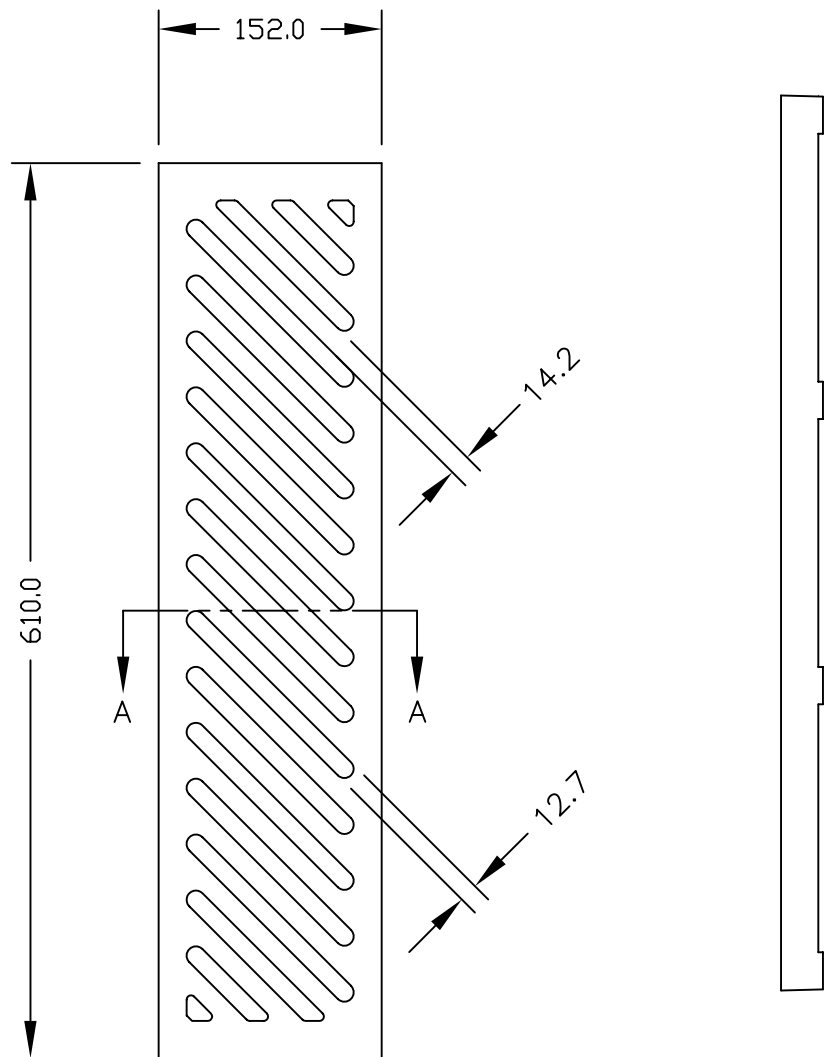
APPROX WEIGHT
GRATE - 12.2 KG.

 DOBNEY FOUNDRY LTD. SURREY B.C.	
RATING-HWY LOAD	
DRAINAGE GRATE	NO. B-6




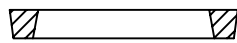
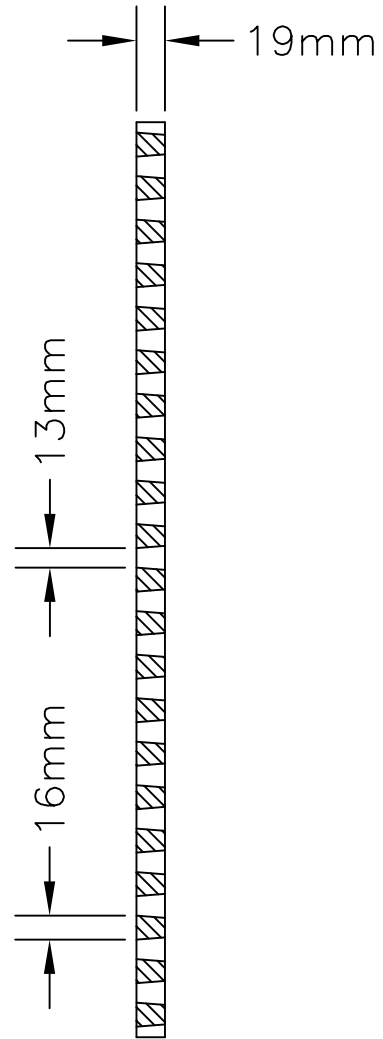
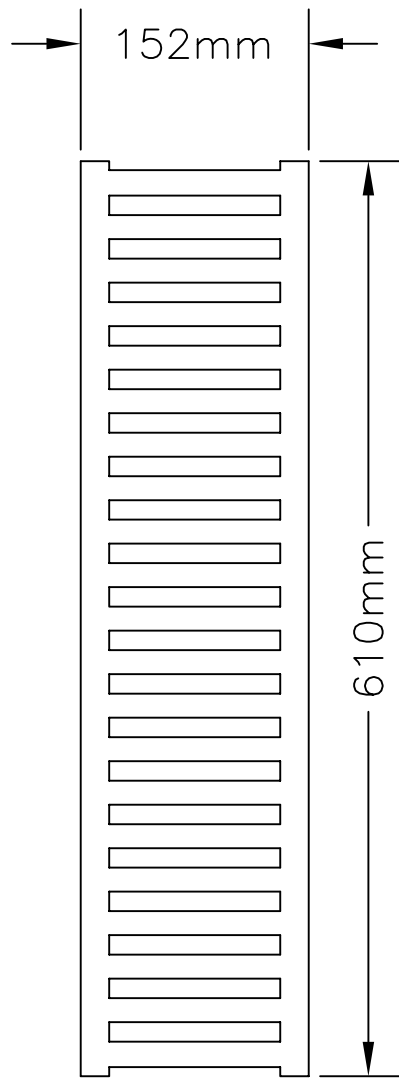
APPROX. WEIGHT
GRATE - 4 kg

 DOBNEY FOUNDRY LTD. SURREY B.C.	
RATING-HWY LOAD	
102 x 610 DRAIN GRATE	NO. B-9



APPROX. WEIGHT
GRATE - 9.5 kg

 DOBNEY FOUNDRY LTD. SURREY B.C.	
RATING-HWY LOAD	
GRATE	NO. B-10DG



APPROX. WEIGHT
GRATE — 7.3 kg

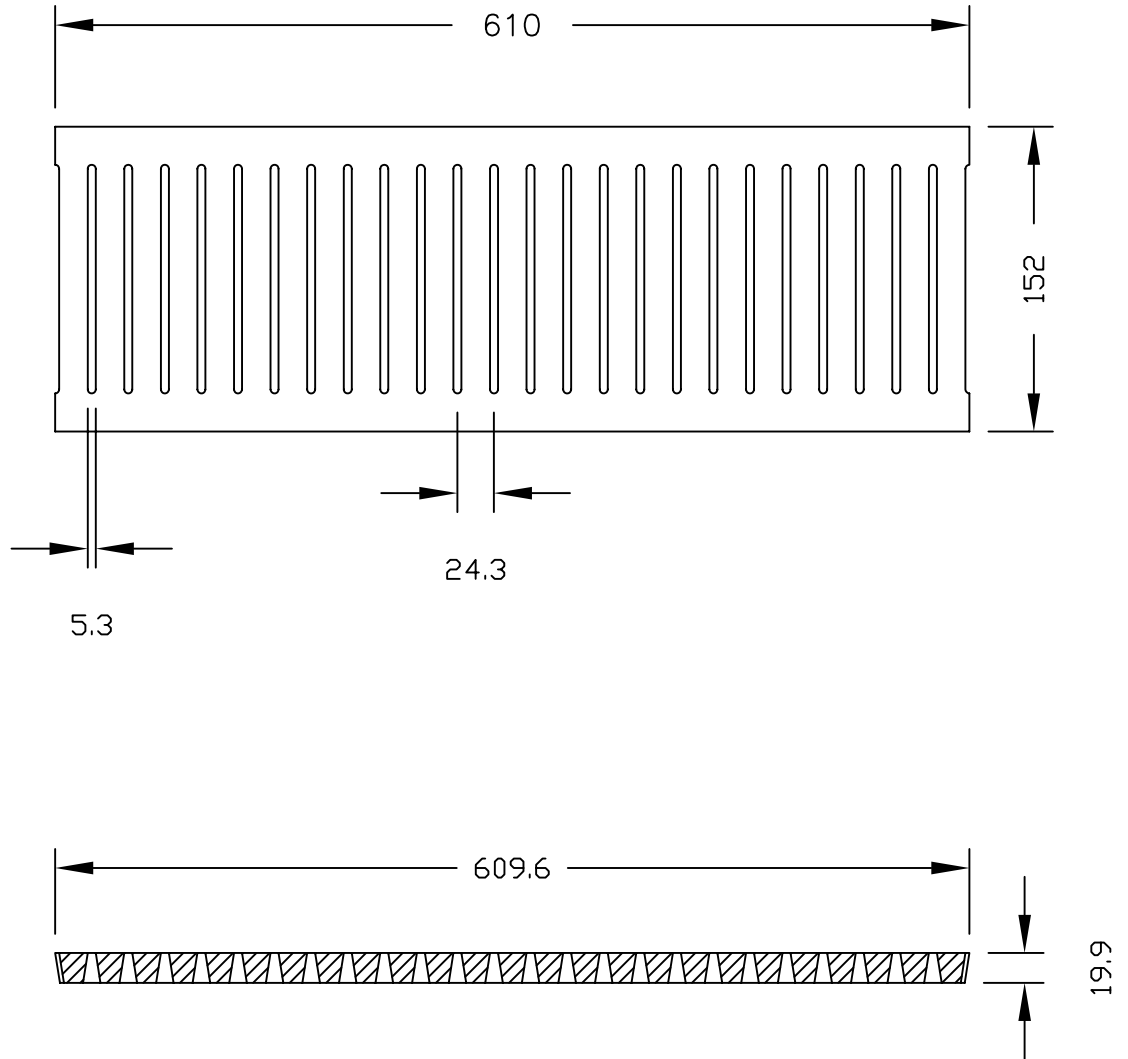


DOBNEY FOUNDRY LTD.
SURREY B.C.


RATING—HWY LOAD

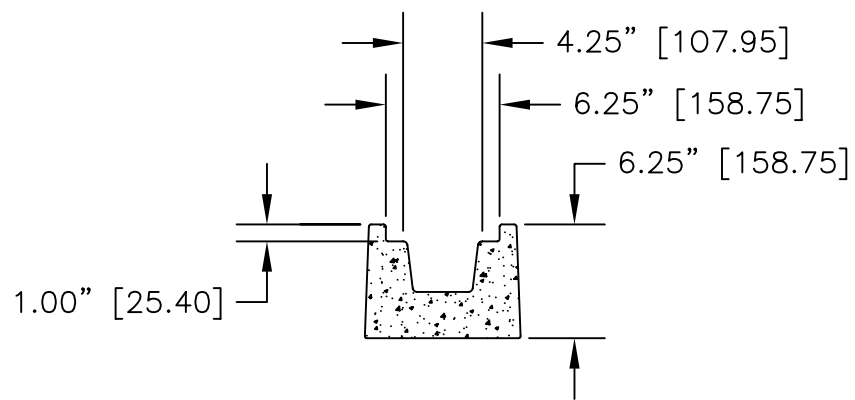
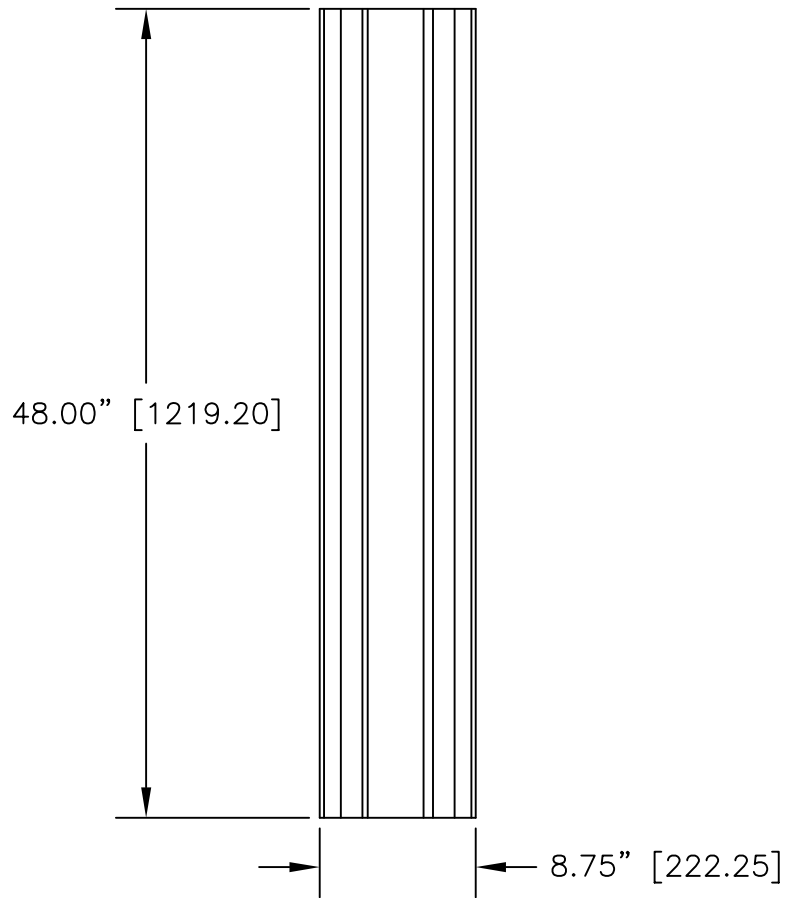
152 x 610 DRAIN GRATE


NO.
B-10

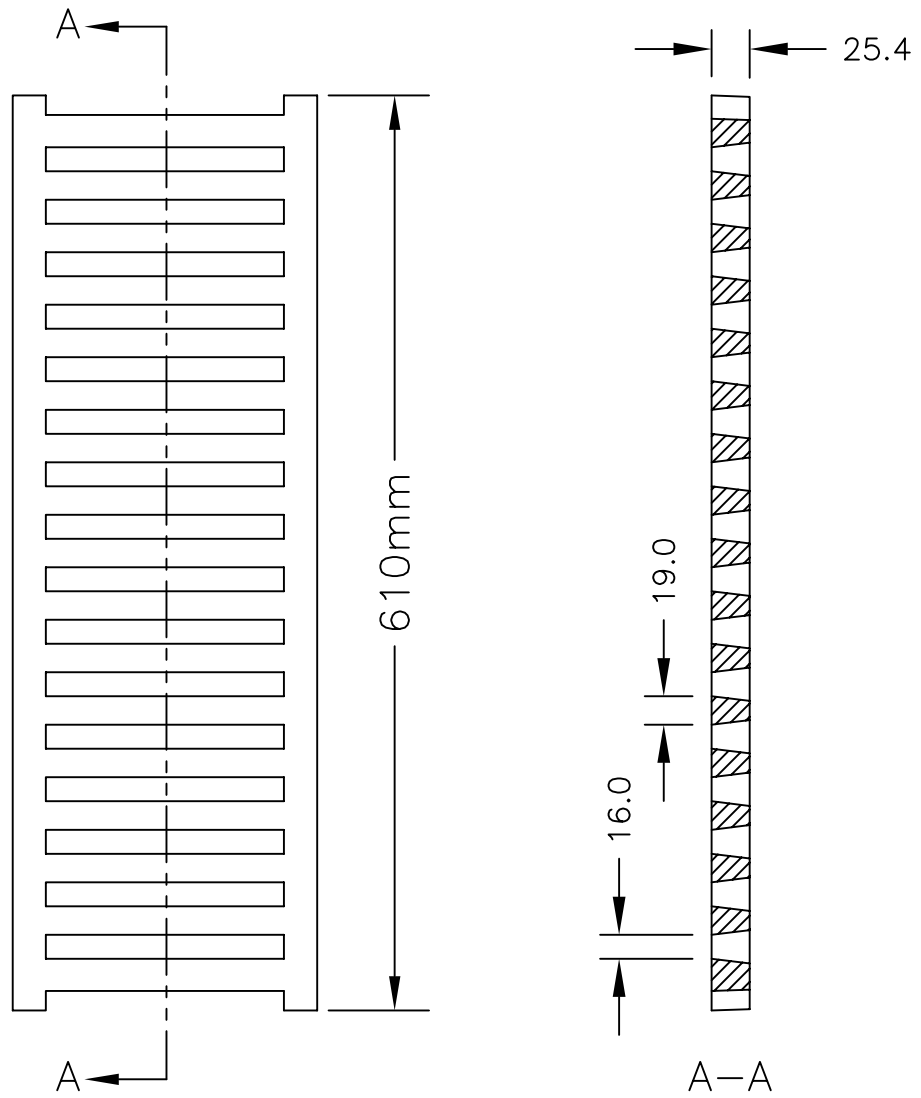


APPROX WEIGHT
GRATE — 9.5 KG.


 DOBNEY FOUNDRY LTD. SURREY B.C.	
RATING—HWY LOAD	
GRATE	NO. B-10PED

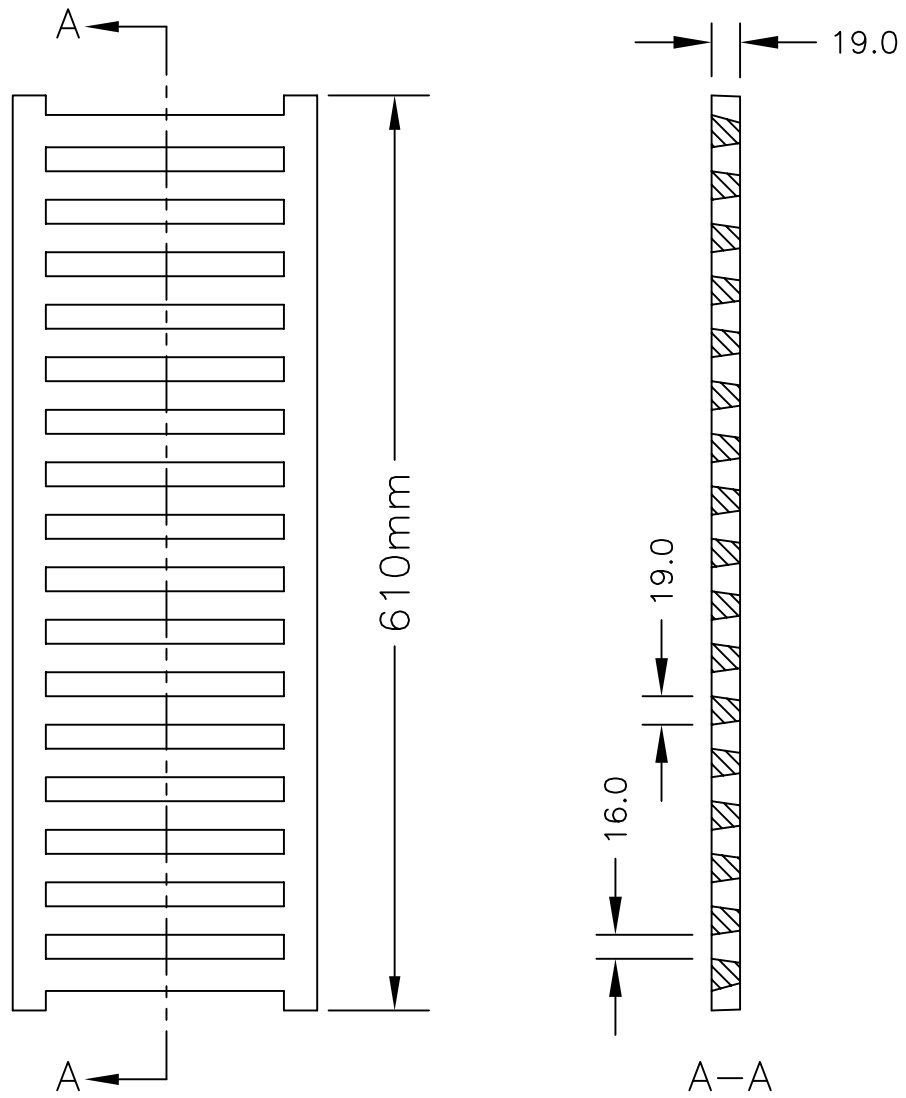


 DOBNEY FOUNDRY LTD. SURREY B.C.	
TROUGH	NO. B-10B




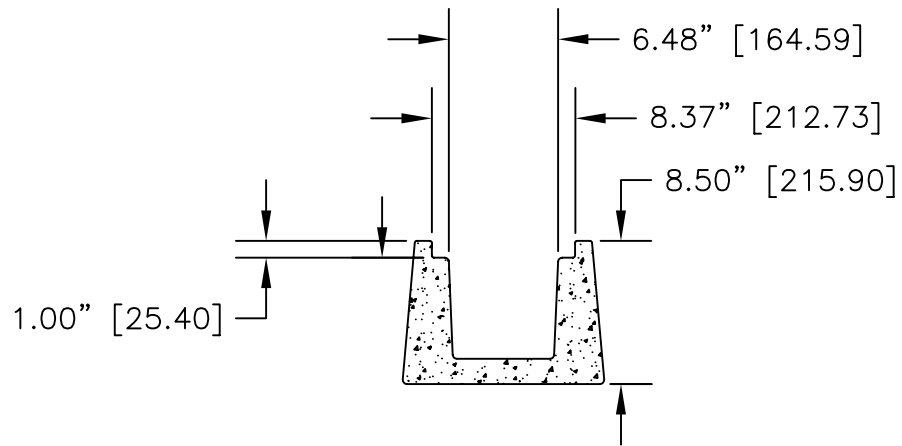
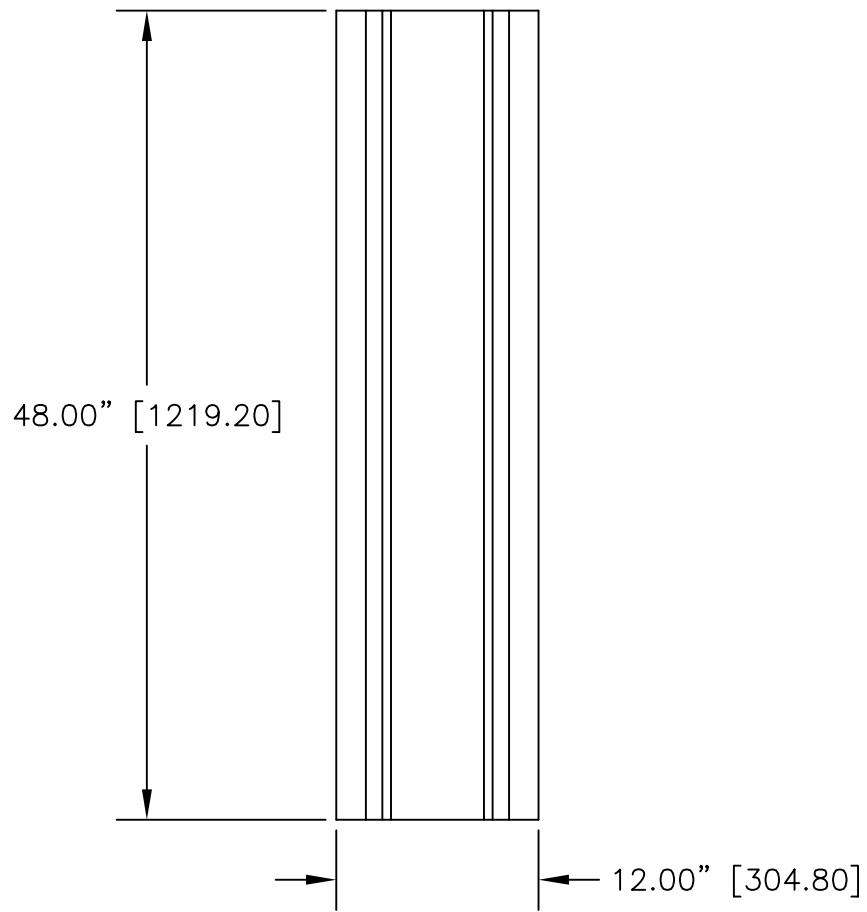
APPROX. WEIGHT
GRATE - 13 kg

 DOBNEY FOUNDRY LTD. SURREY B.C.	
RATING-HWY LOAD	
DRAIN GRATE	NO. B-11-1



APPROX. WEIGHT
GRATE - 10 kg

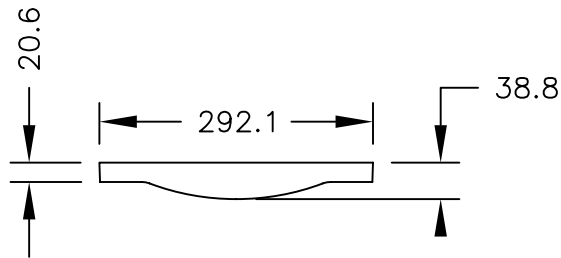
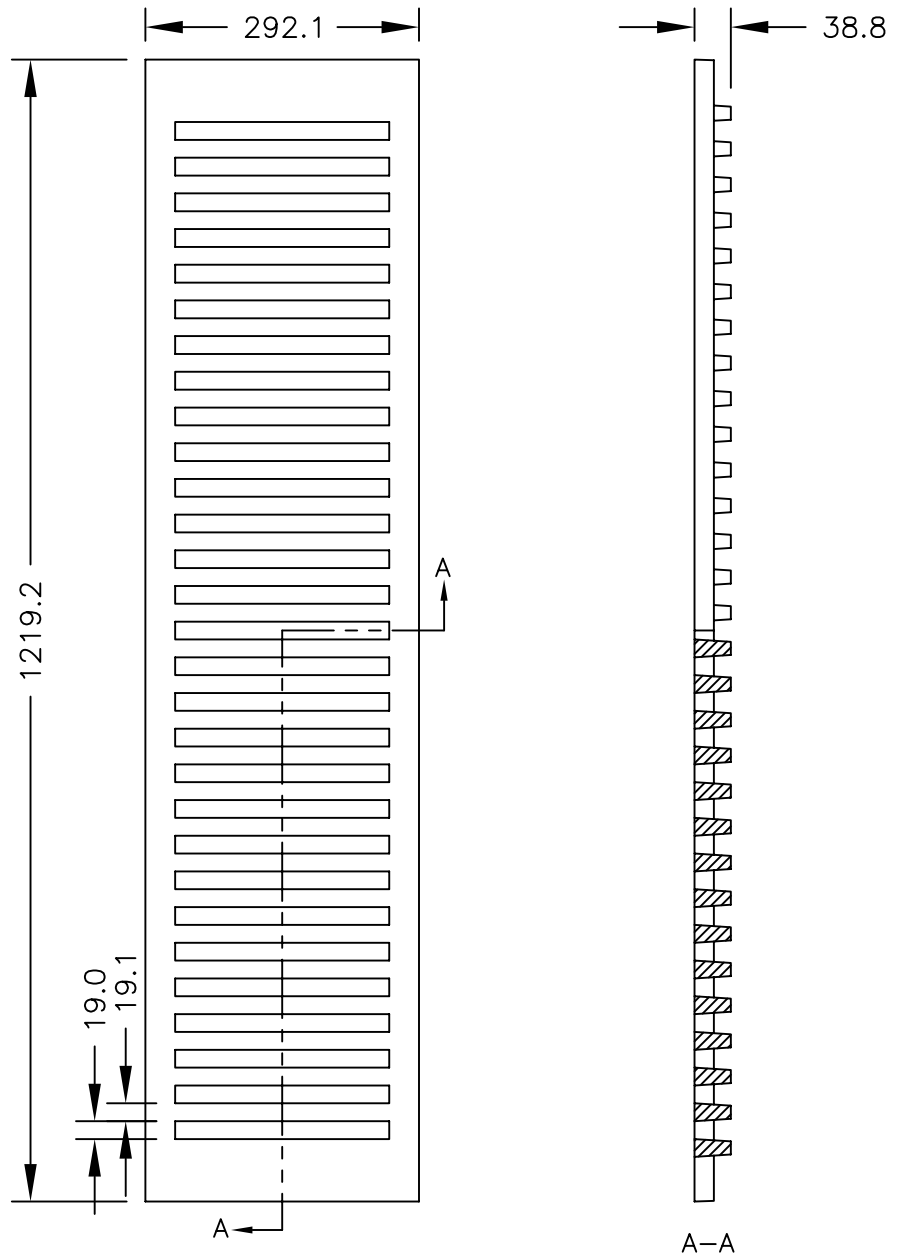
 DOBNEY FOUNDRY LTD. SURREY B.C.	
RATING-HWY LOAD	
DRAIN GRATE	NO. B-11




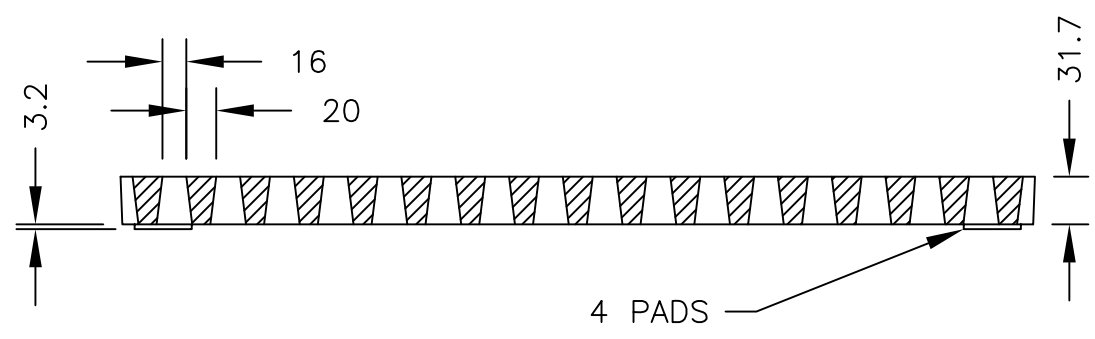
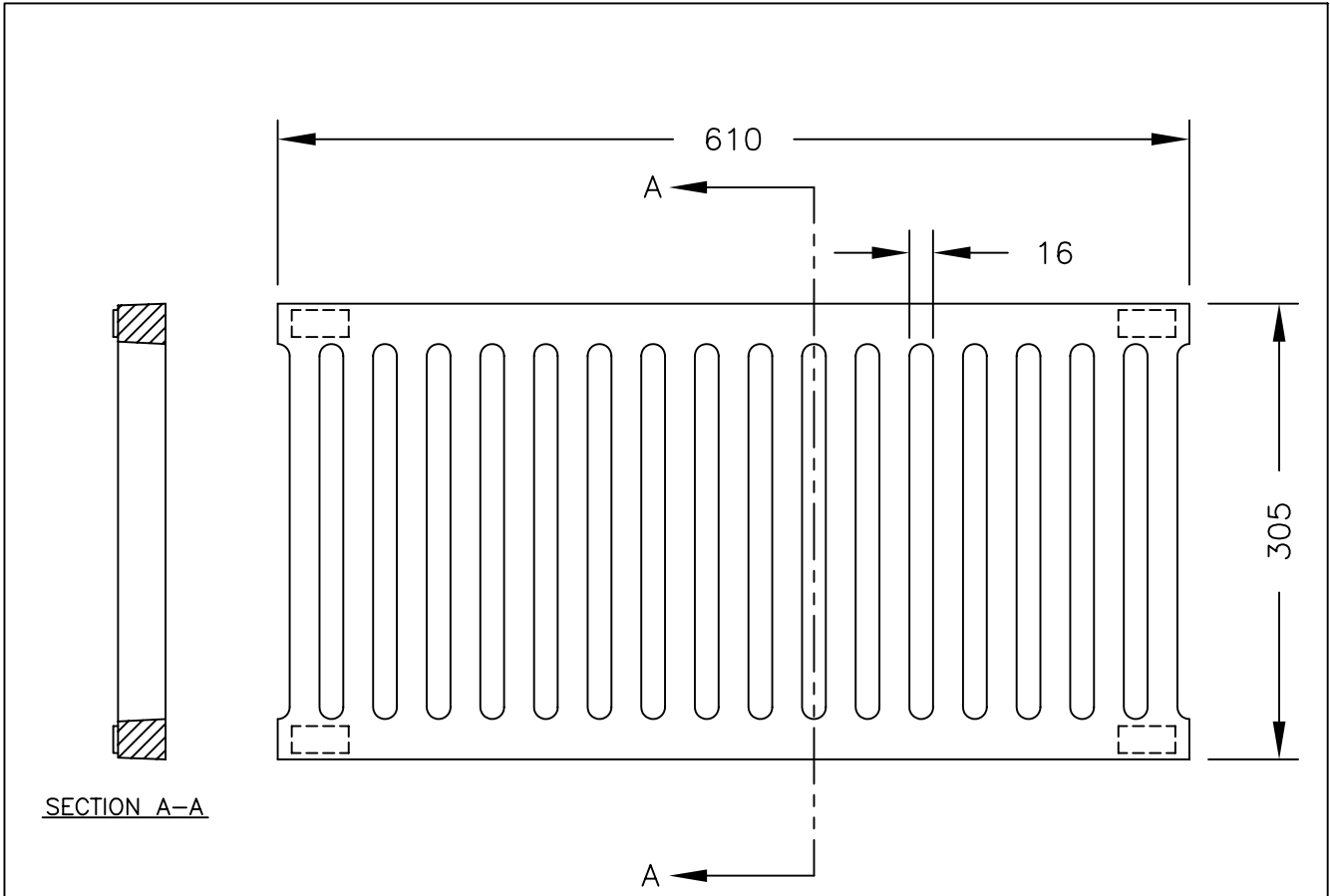
DOBNEY DOBNEY FOUNDRY LTD.
SURREY B.C.

8" TROUGH


NO.
B-11B

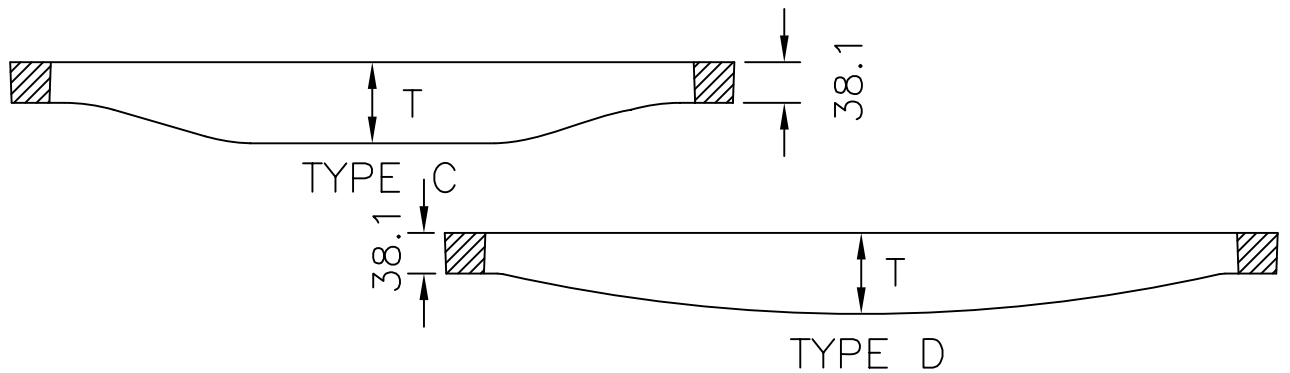
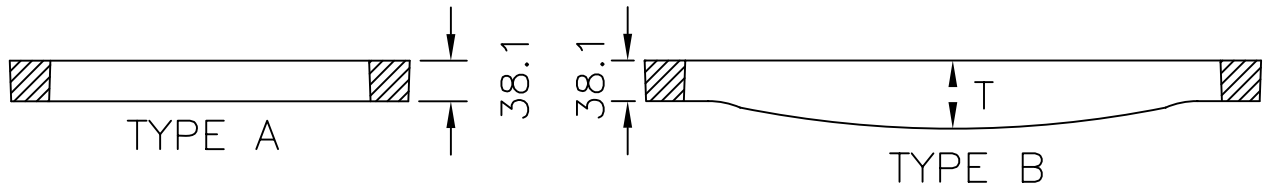
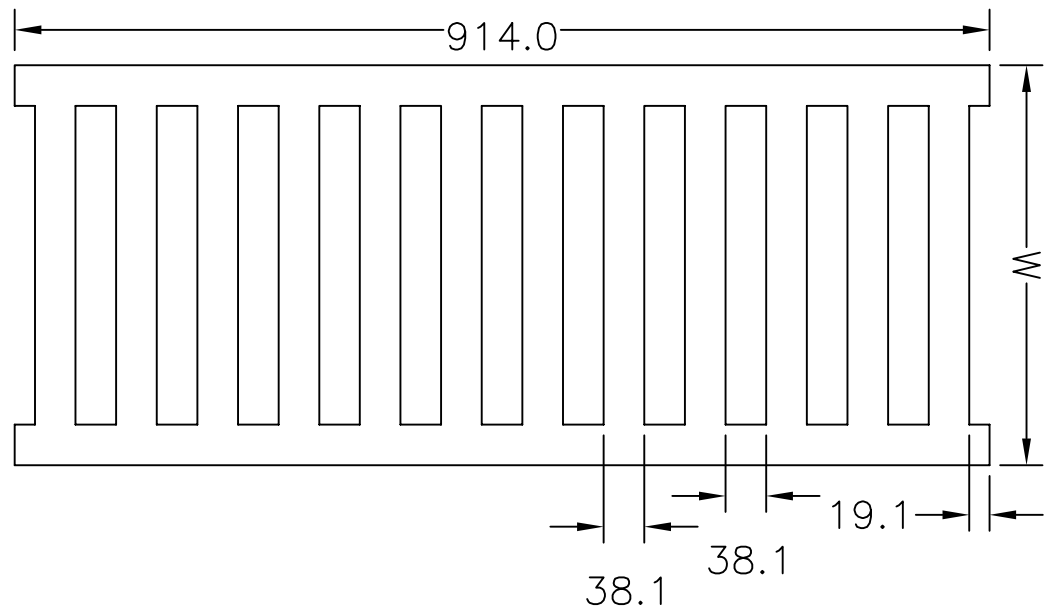


 DOBNEY FOUNDRY LTD. SURREY B.C.	
RATING-HWY LOAD	
GRATE	NO. B-13A



APPROX WEIGHT
GRATE - 35 KG

 DOBNEY FOUNDRY LTD. SURREY B.C.	
RATING-HWY LOAD	
DRAINAGE GRATE	NO. B-14



TRENCH WIDTH	TYPE	T	W	APPROX. WEIGHT
102	A	38	171	32 KG.
152	A	38	222	35 KG.
203	A	38	273	44 KG.
254	A	38	324	50 KG.
305	A	38	375	56 KG.
356	B	51	425	70 KG.
406	B	51	476	82 KG.

TRENCH WIDTH	TYPE	T	W	APPROX. WEIGHT
457	B	51	527	81 KG.
508	B	64	578	99 KG.
559	B	64	629	108 KG.
610	C	64	679	113 KG.
711	C	76	781	150 KG.
762	D	76	832	152 KG.
864	D	76	933	172 KG.

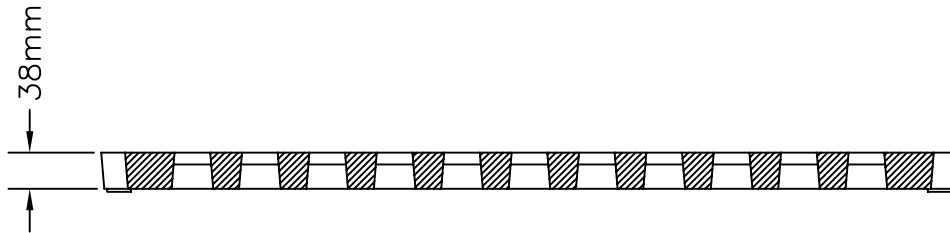
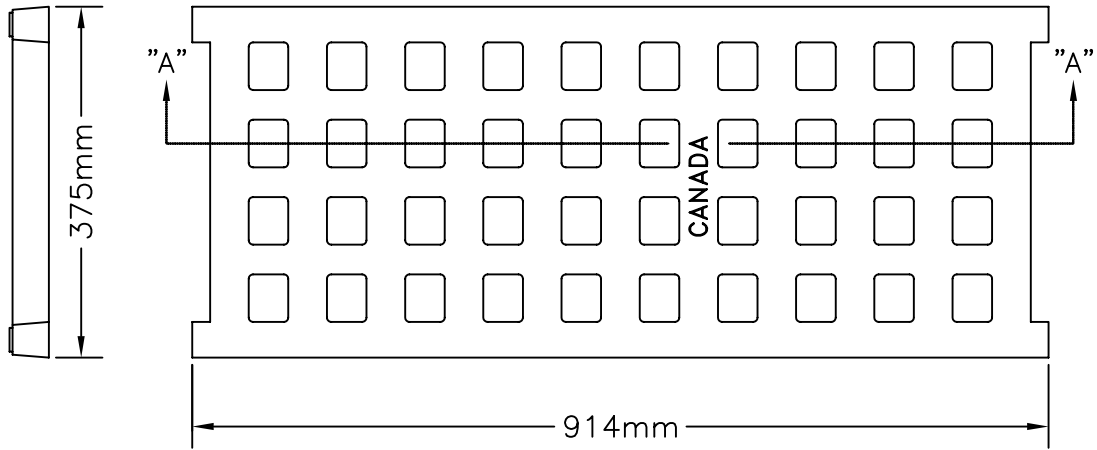



DOBNEY FOUNDRY LTD.
SURREY B.C.

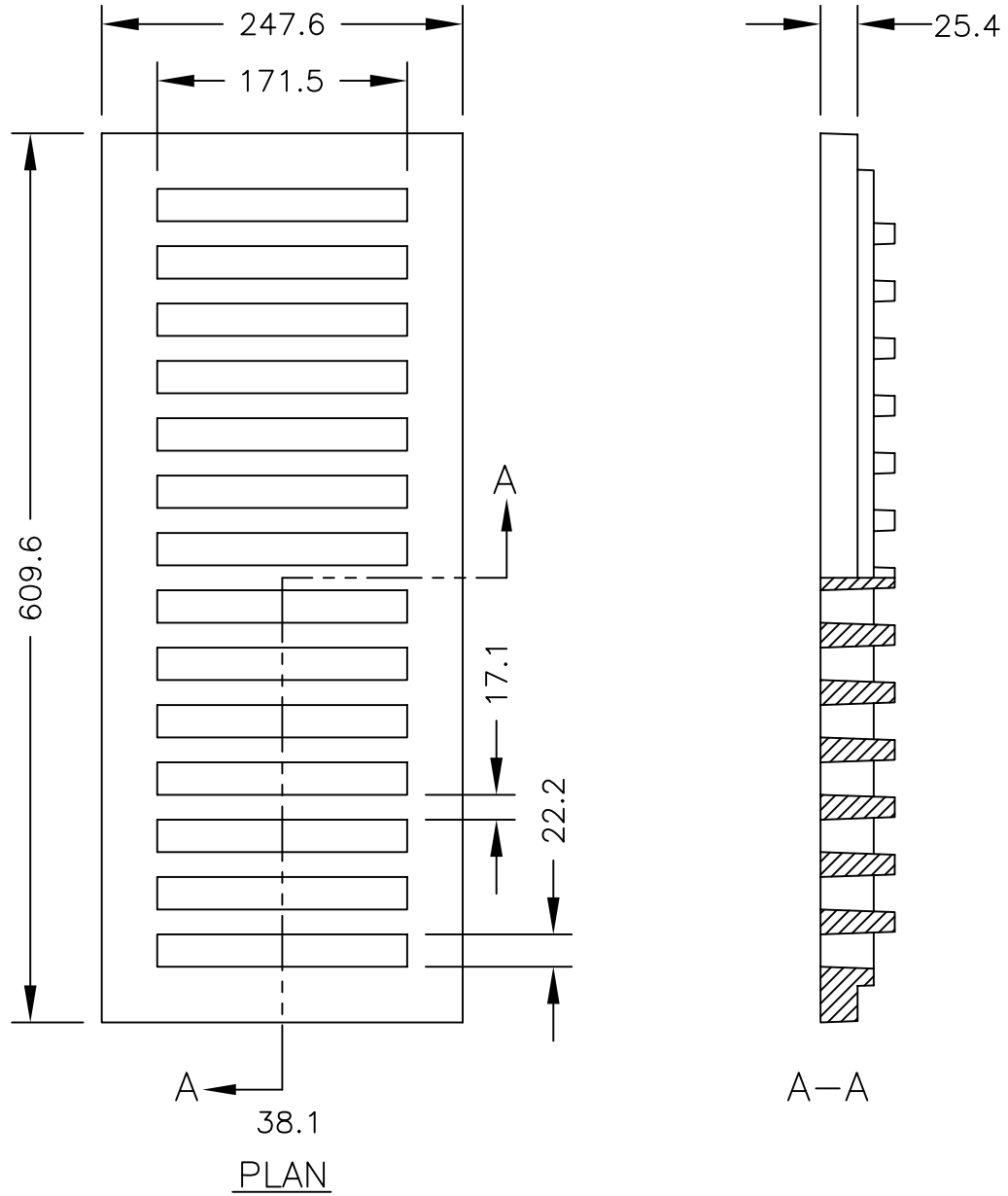
RATING-HWY LOAD

GRATE


NO.
B-14C

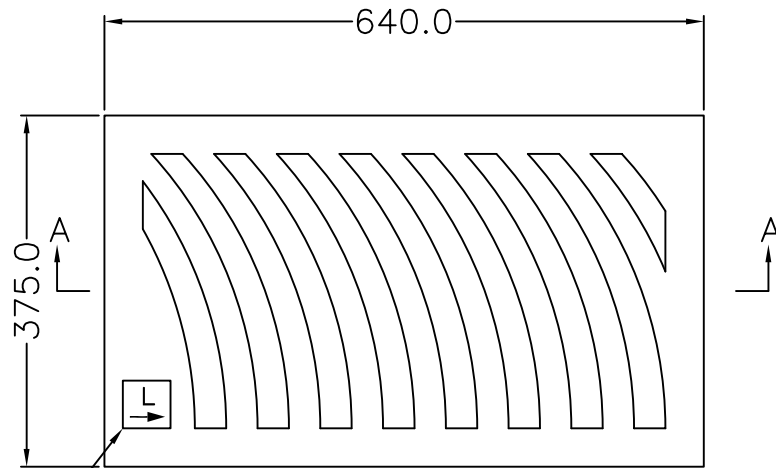


 DOBNEY FOUNDRY LTD. SURREY B.C.	
RATING-HWY LOAD	
GRATE	NO. B-14C(PED)

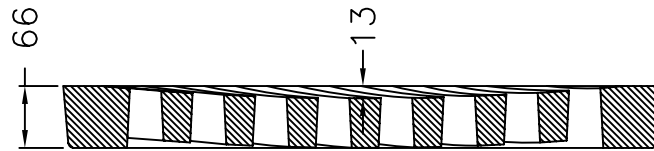


APPROX. WEIGHT
GRATE - 24.5 kg

 DOBNEY FOUNDRY LTD. SURREY B.C.	
RATING-HWY LOAD	
DRAIN GRATE	NO. B-16B



MARKED "R" FOR RIGHT HAND GRATE
ON 6.3mm DEPRESSION

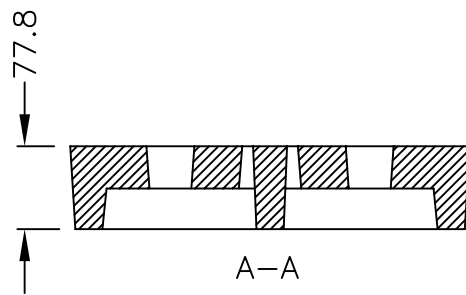
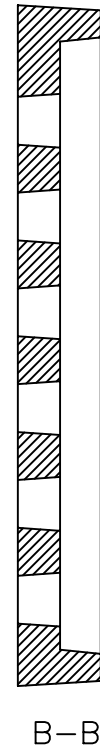
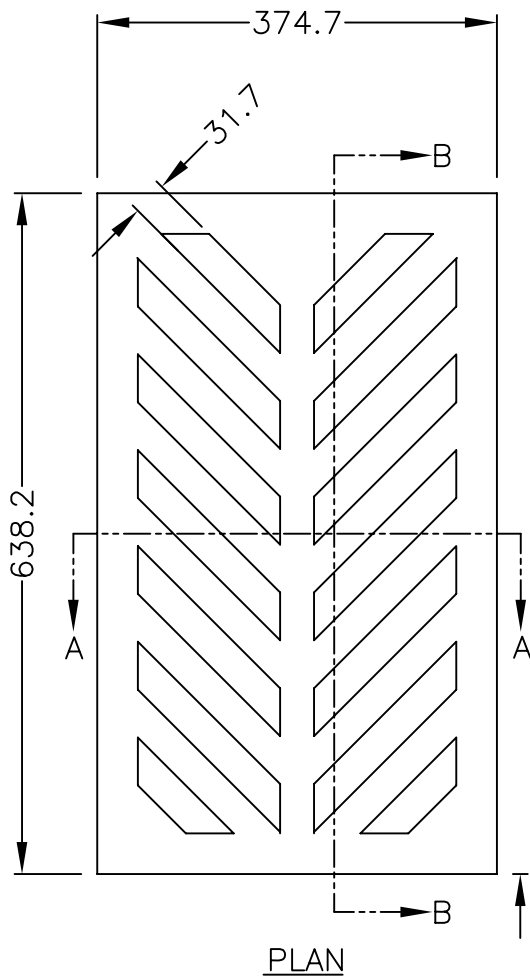


SECTION 'A-A'

USE WITH B-19 FRAME
ALSO AVAILABLE IN RIGHT HAND


APPROX. WEIGHT
GRATE - 73 Kg.

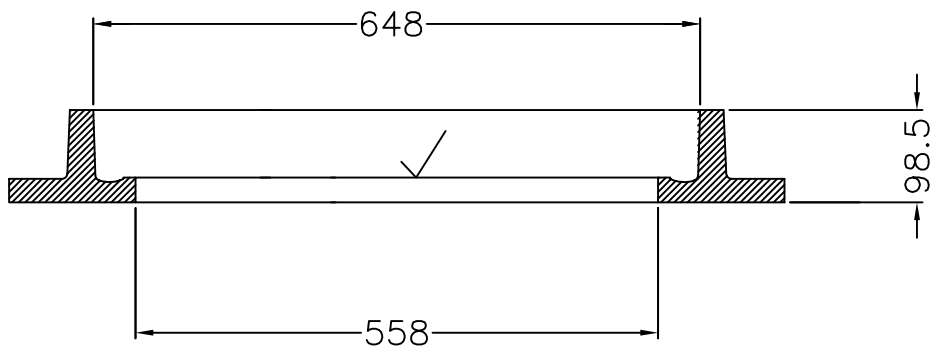
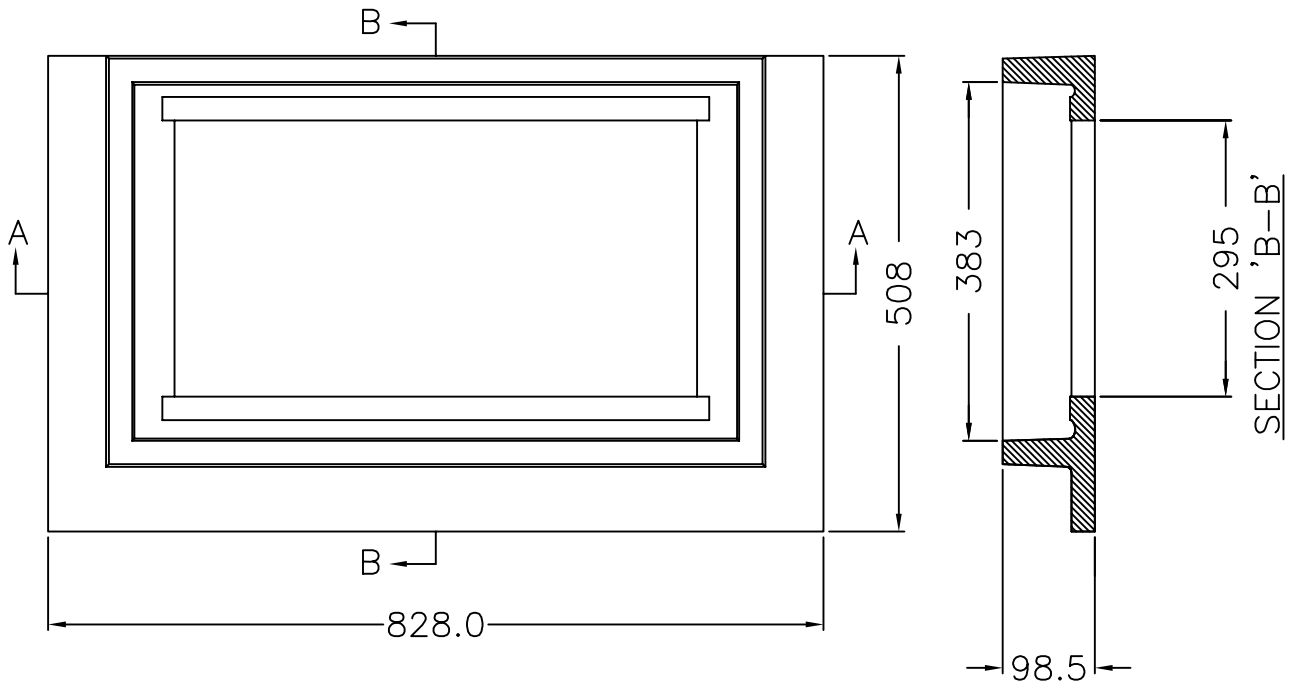
DOBNEY		DOBNEY FOUNDRY LTD. SURREY B.C.	
RATING-HWY LOAD			
GRATE (LEFT HAND)		NO. B-18	



USE WITH B-19 FRAME


APPROX WEIGHT
GRATE - 57 KG.

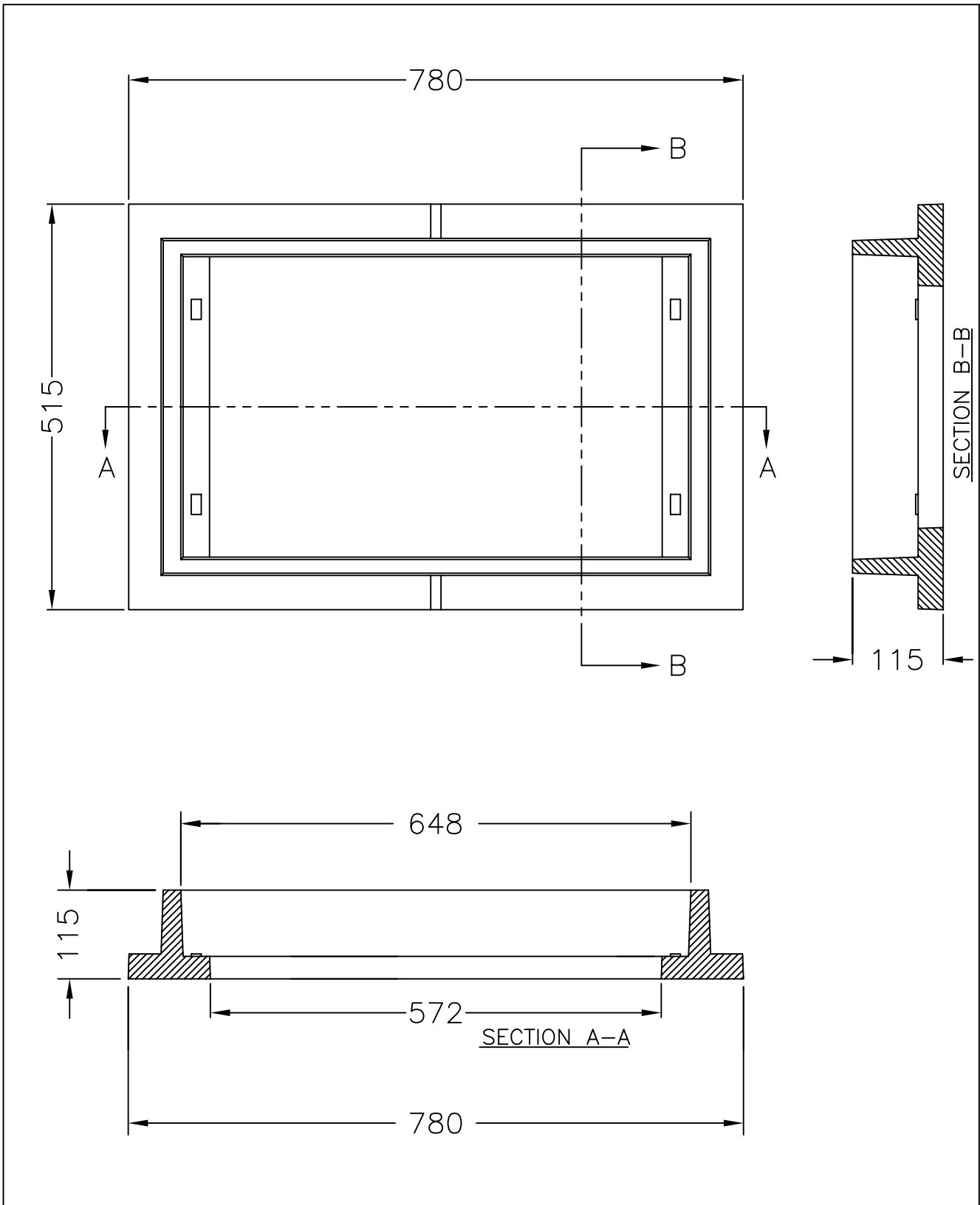
 DOBNEY FOUNDRY LTD. SURREY B.C.	
RATING-HWY LOAD	
HERRING BONE GRATE	NO. B-18A



SECTION 'A-A'


APPROX. WEIGHT
FRAME - 80 Kg.

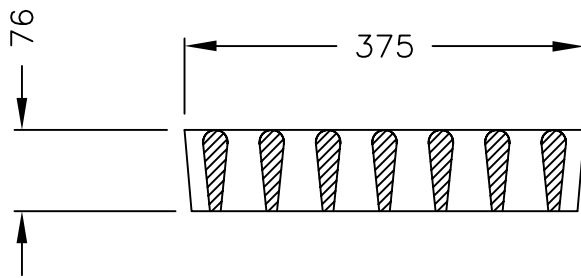
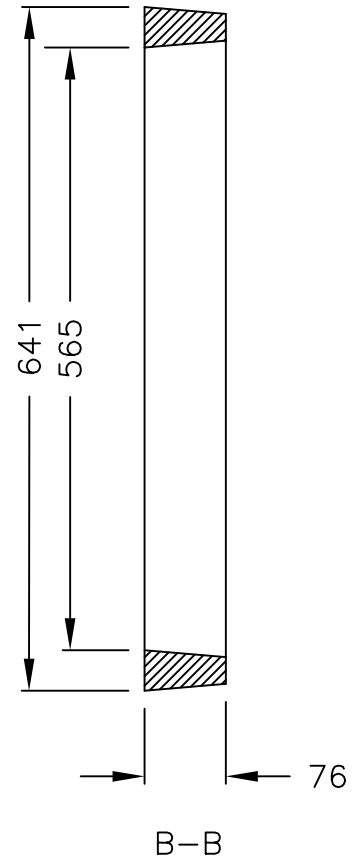
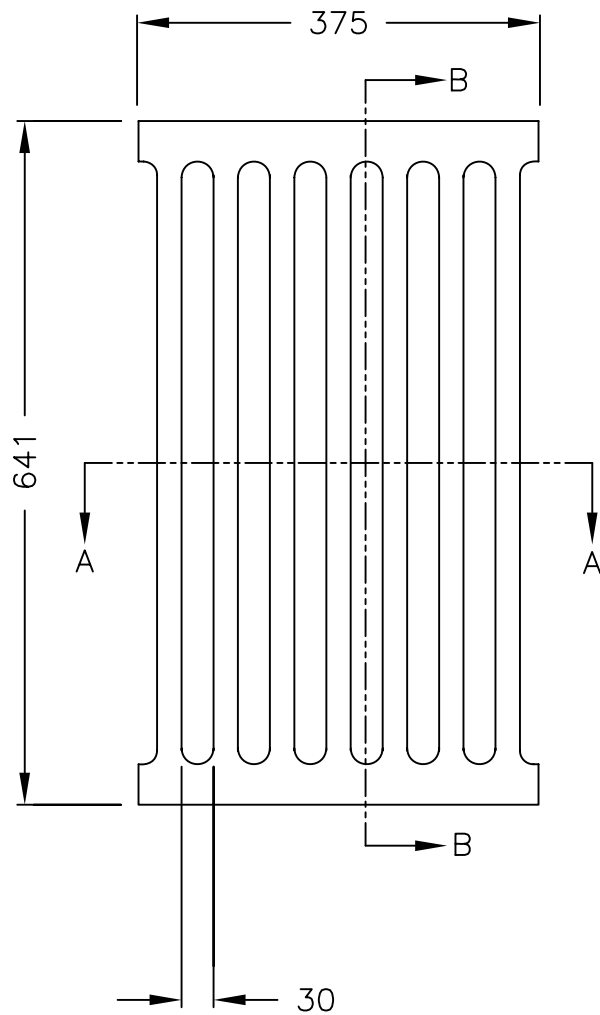
 DOBNEY FOUNDRY LTD. SURREY B.C.	
RATING-HWY LOAD	
FRAME	NO. B-19



USE WITH B-19A GRATE


APPROX. WEIGHT- 72KG

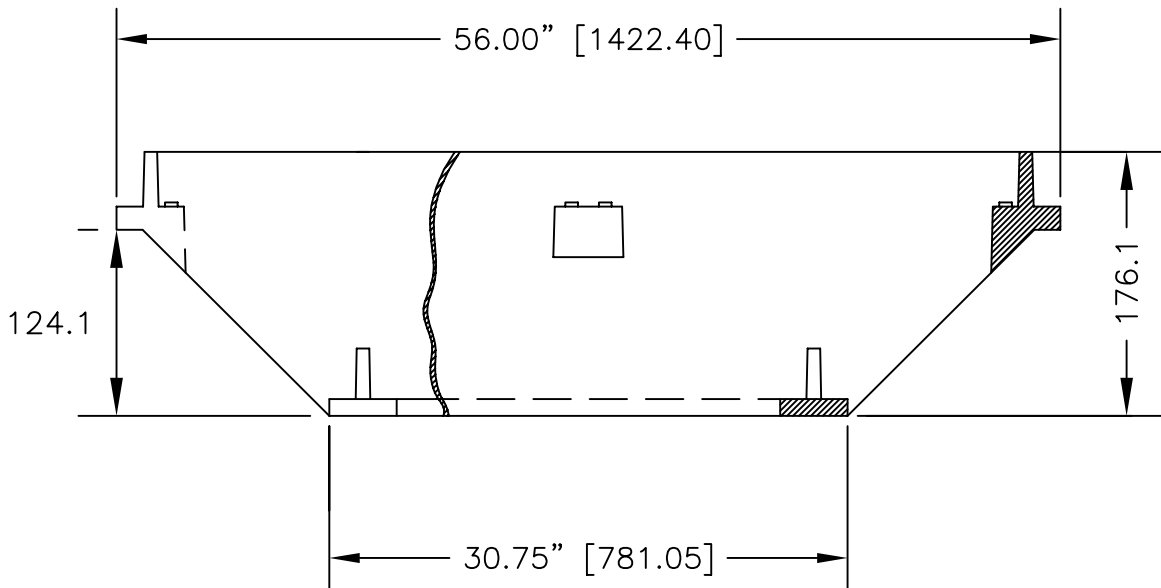
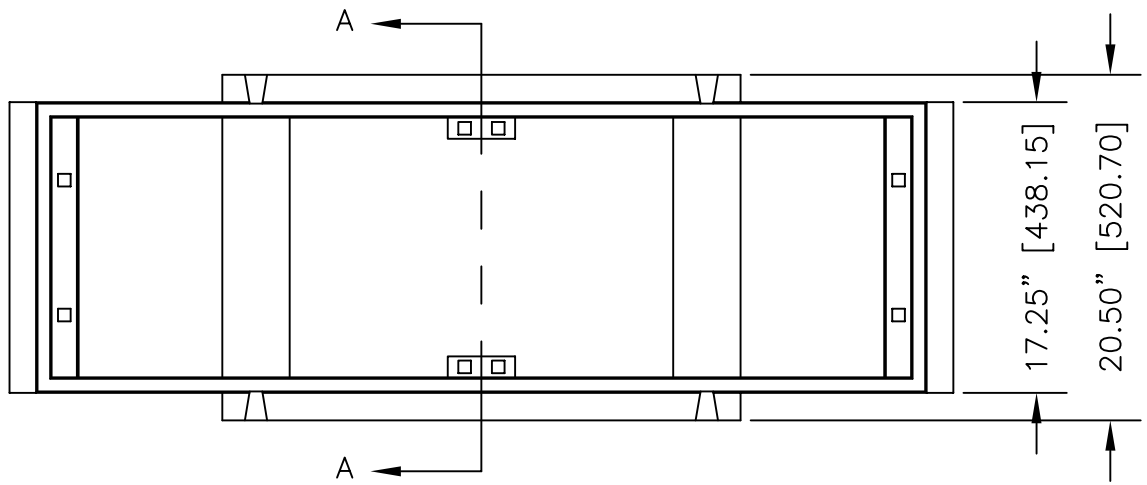
 DOBNEY FOUNDRY LTD. SURREY B.C.	
RATING-HWY LOAD	
FRAME	NO. B-19A



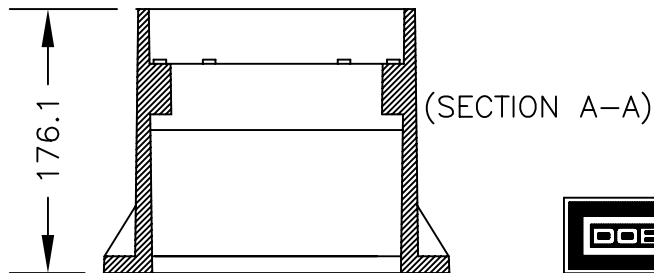
USE WITH B-19A FRAME


APPROX WEIGHT
GRATE - 52 KG.

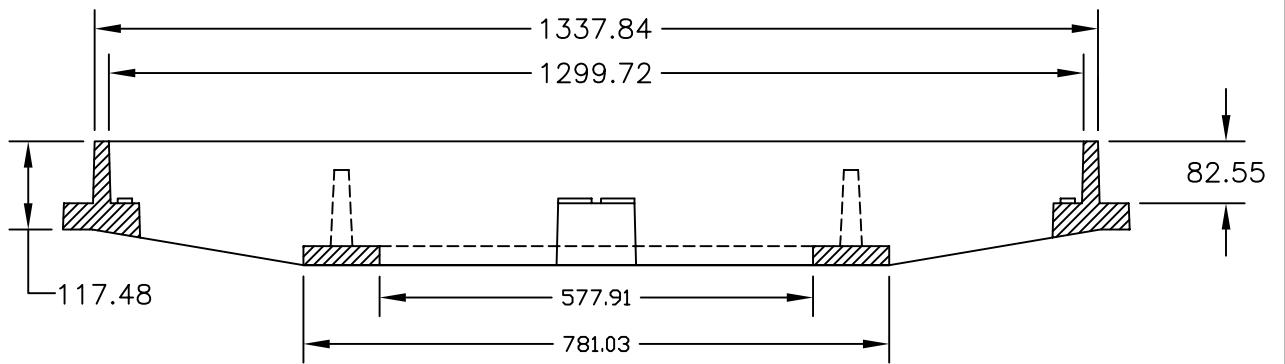
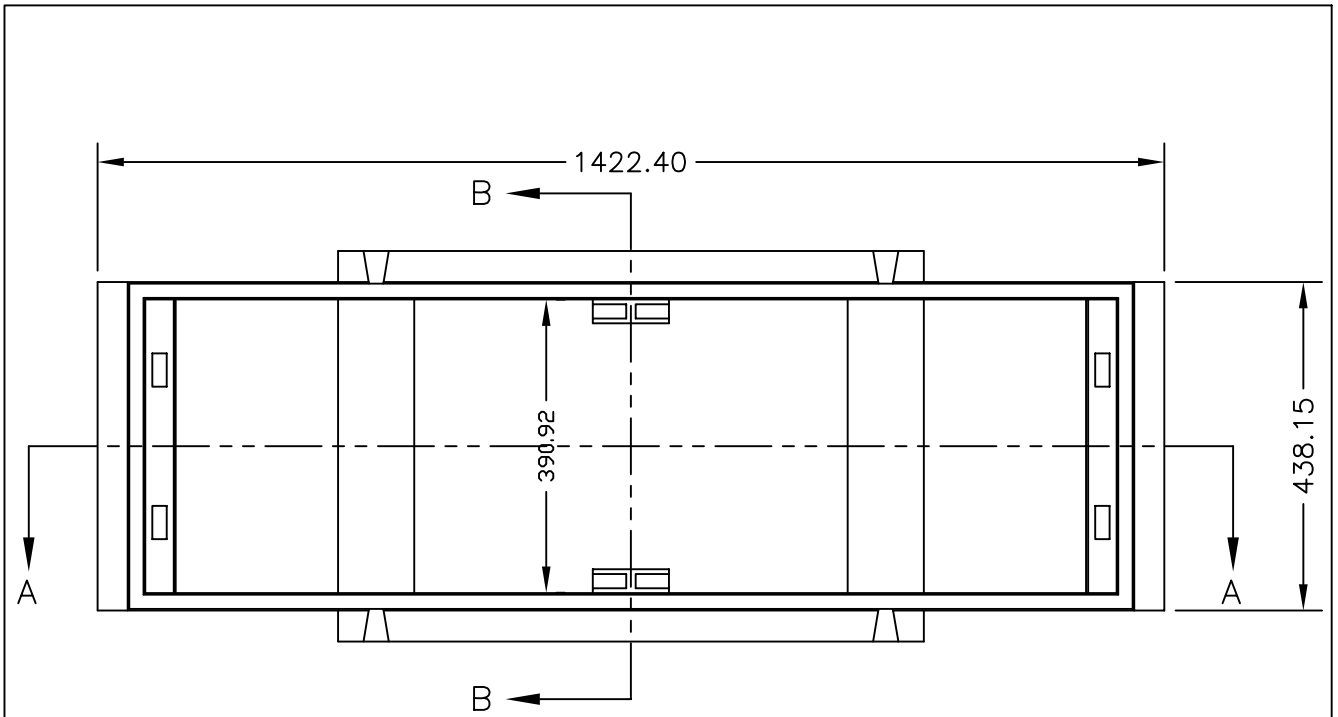
 DOBNEY FOUNDRY LTD. SURREY B.C.	
RATING-HWY LOAD	
MEDIAN GRATE	NO. B-19A



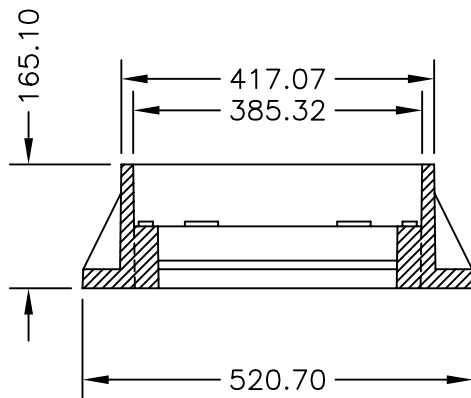
USE WITH 2 B-19A GRATES



 DOBNEY FOUNDRY LTD. SURREY B.C.	
RATING— HWY LOAD (MODIFIED) TWIN CATCH BASIN FRAME	
	NO. B-19A




SECTION A-A

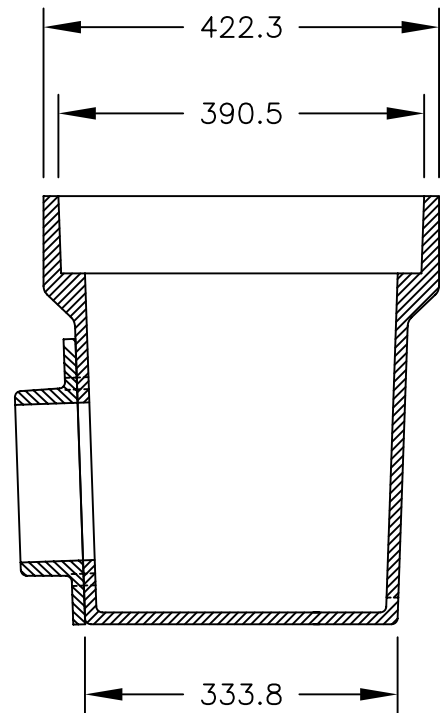
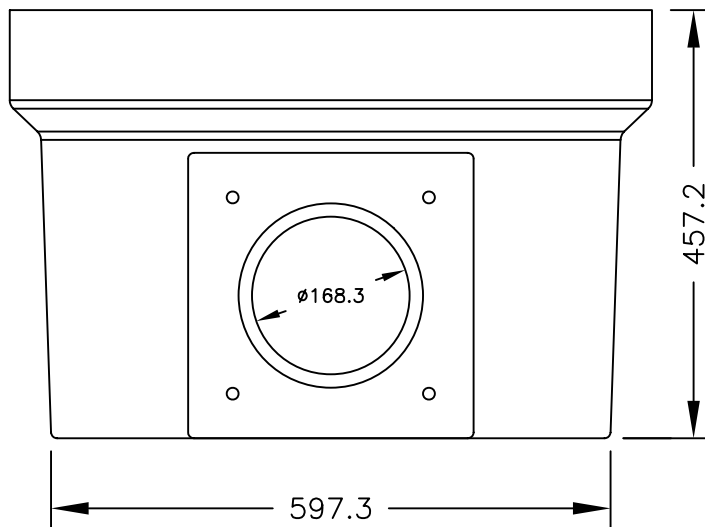
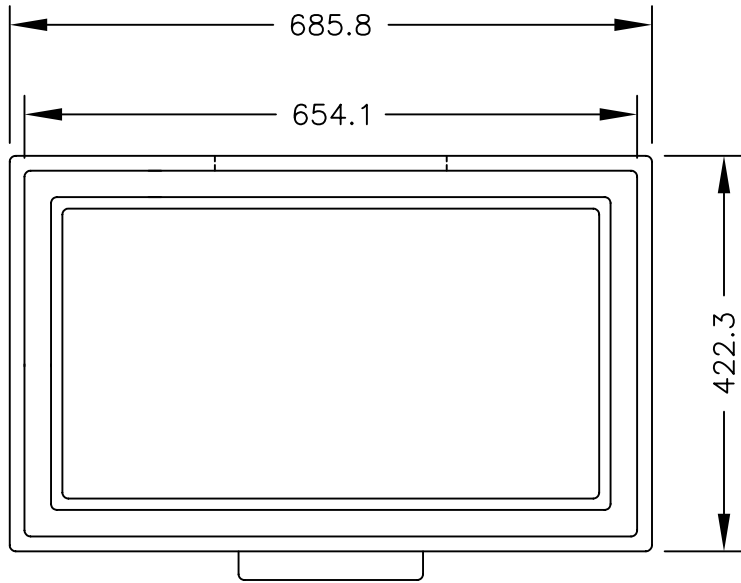


SECTION B-B

APPROX. WEIGHT
FRAME - 145 Kg

USE WITH 2 B-19A GRATES


 DOBNEY FOUNDRY LTD. SURREY B.C.	
RATING-HWY LOAD	
TWIN CATCH BASIN FRAME	NO. B-19A

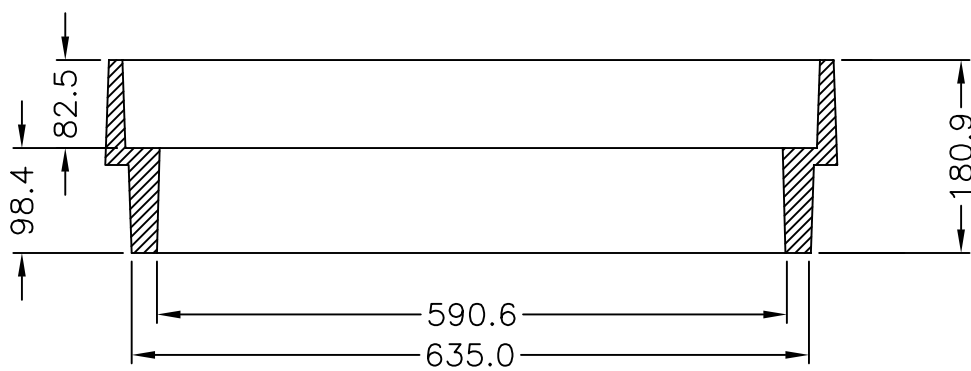
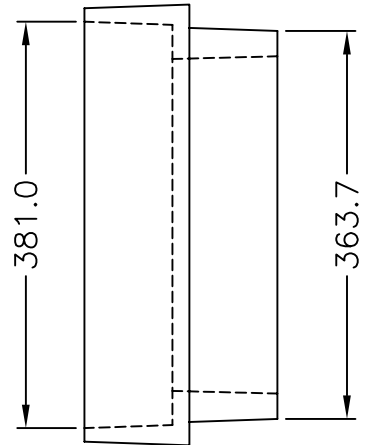
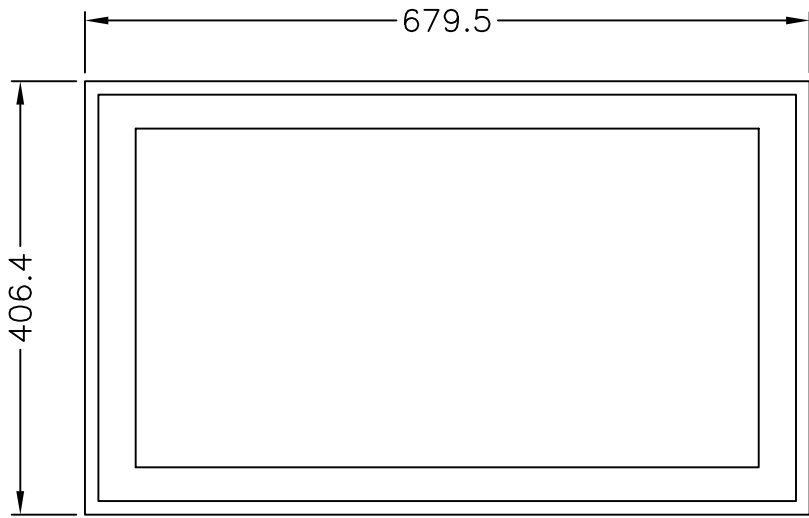


C/W ADAPTER PLATE


USE WITH B-19A GRATE

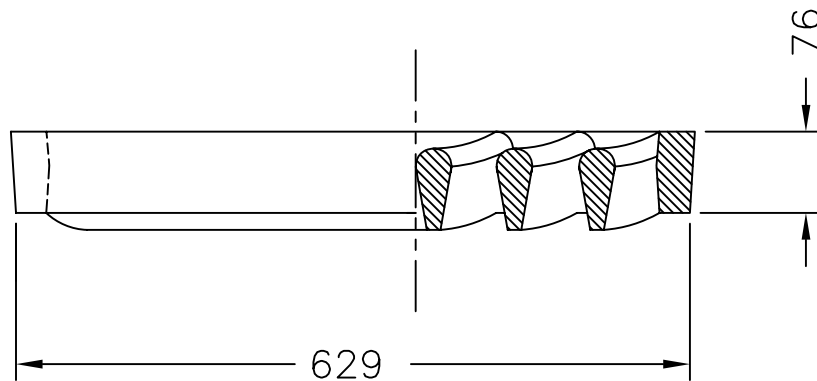
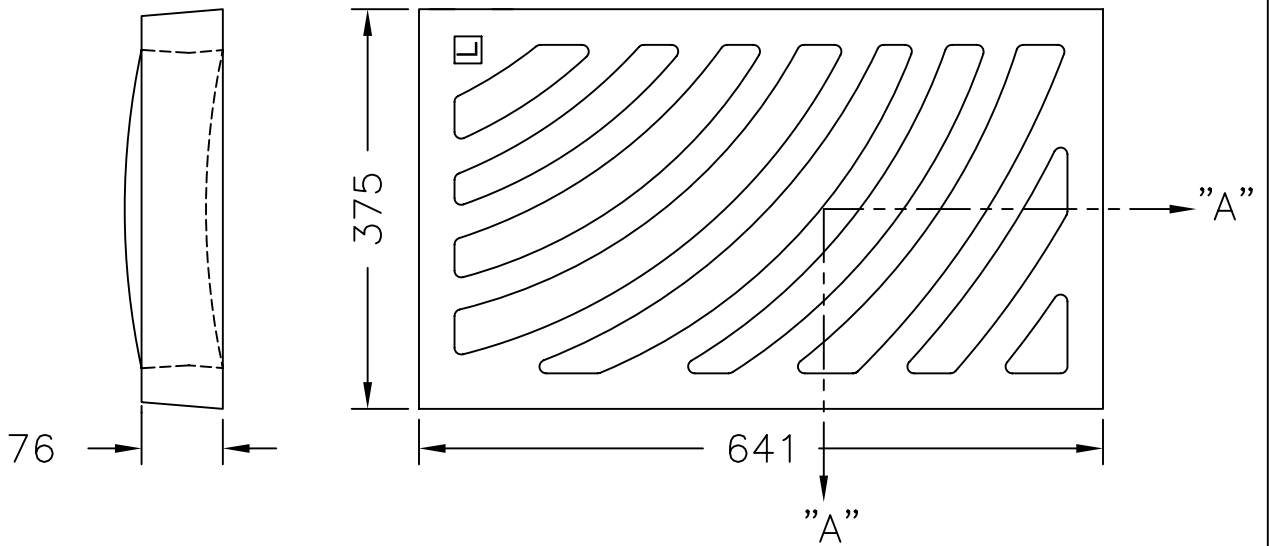
APPROX. WEIGHT
FRAME - 140 Kg

 DOBNEY FOUNDRY LTD. SURREY B.C.	
RATING-HWY LOAD	
CATCH BASIN BOX	NO. B-19B



APPROX WEIGHT
68 KG

 DOBNEY FOUNDRY LTD. SURREY B.C.	
RATING-HWY LOAD	
RISER	NO. B-19C-4




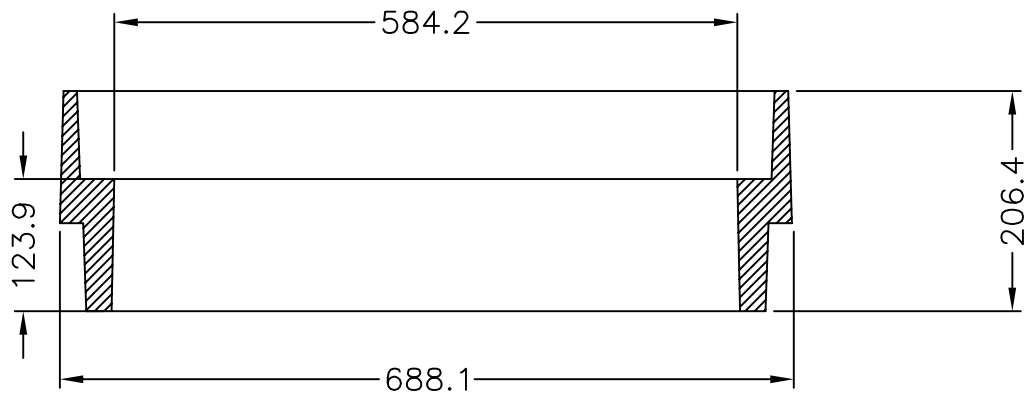
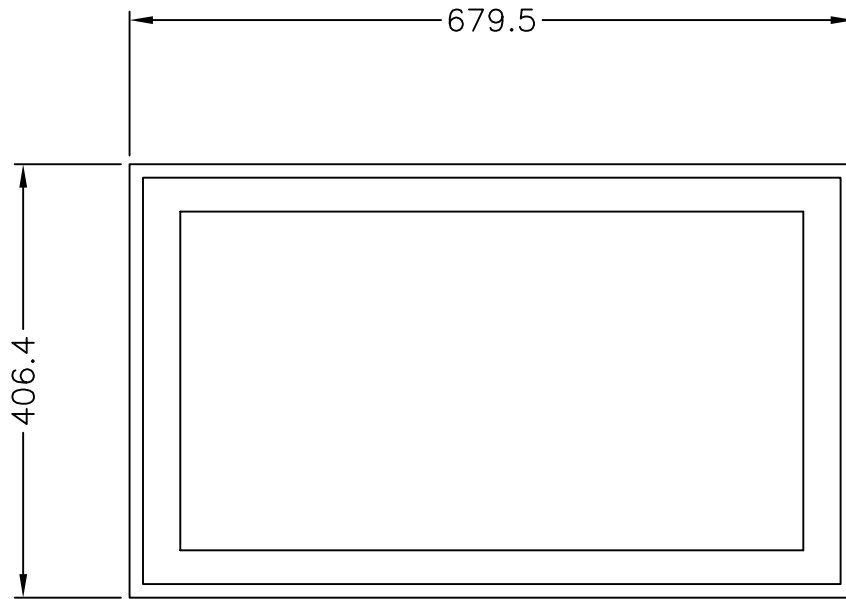
SECTION A - A

USE WITH B-19A FRAME


ALSO AVAILABLE IN RIGH HAND

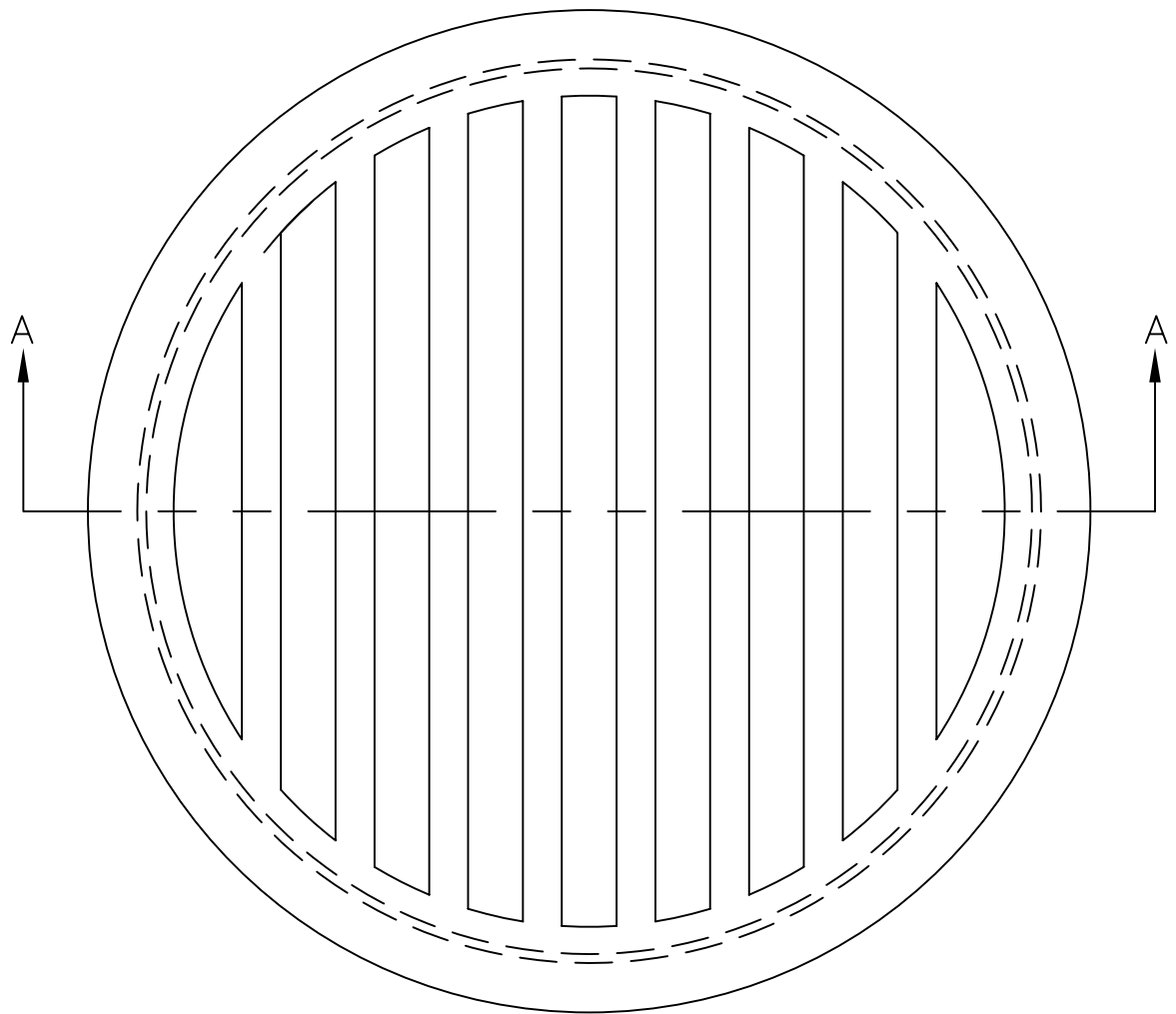
APPROX. WEIGHT
GRATE - 65 Kg.

 DOBNEY FOUNDRY LTD. SURREY B.C.	
RATING-HWY LOAD	
GRATE (LEFT HAND)	NO. B-19A

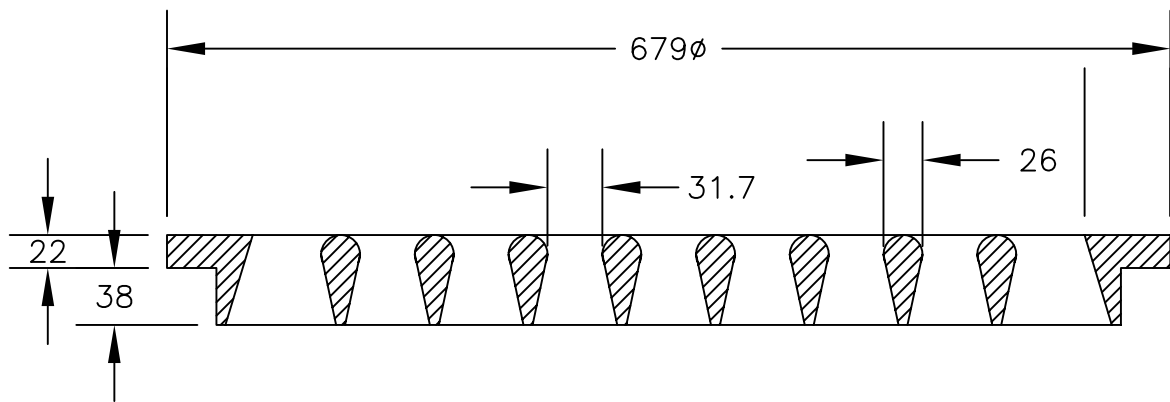


APPROX WEIGHT
77 KG

 DOBNEY FOUNDRY LTD. SURREY B.C.	
RATING-HWY LOAD	
RISER	NO. B-19C-5




PLAN

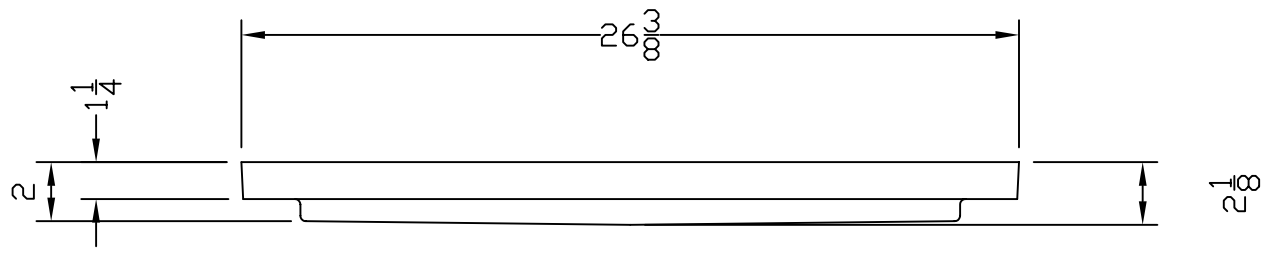
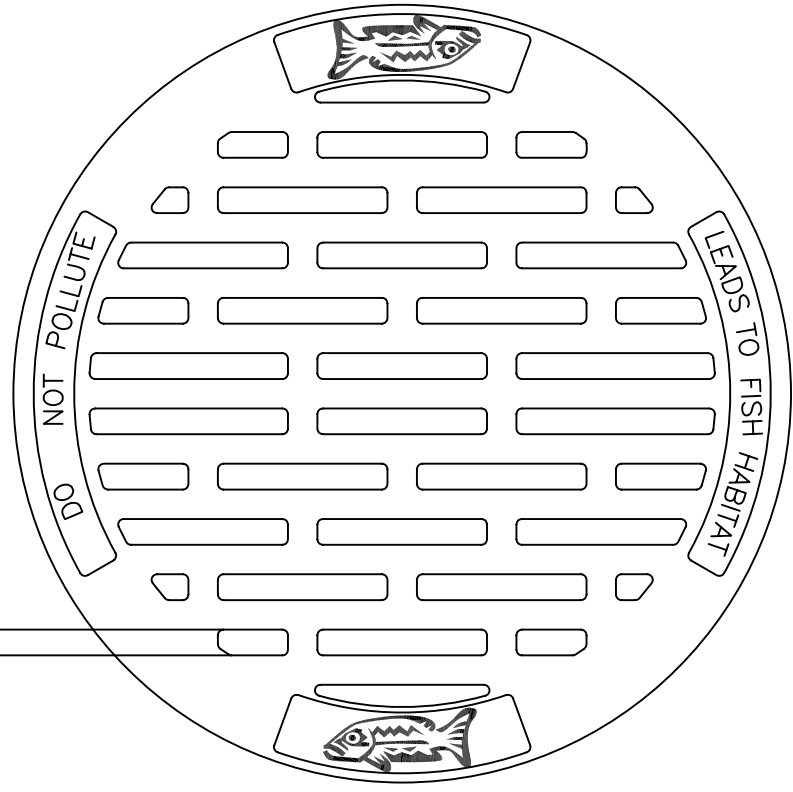


SECTION THRU A-A


TO FIT BELL END OF 600mm PIPE.

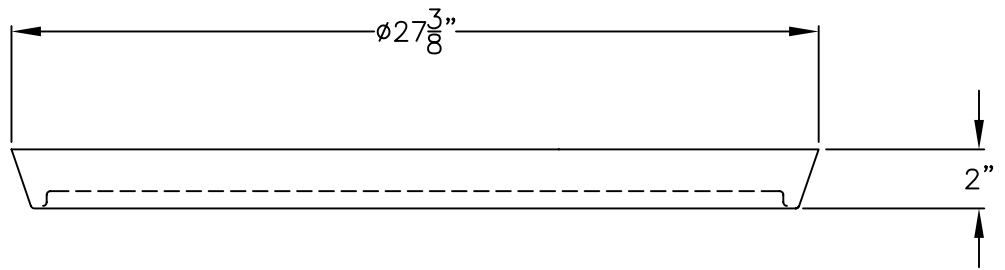
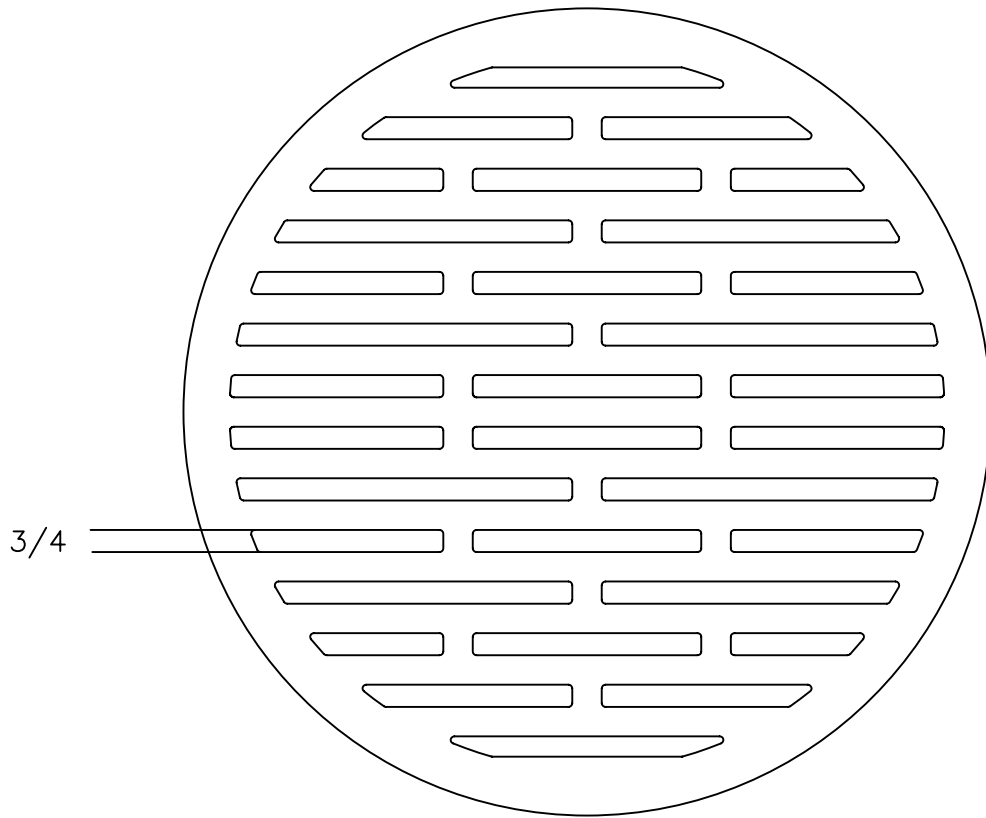
APPROX WEIGHT
GRATE - 51 KG.

 DOBNEY FOUNDRY LTD. SURREY B.C.	
RATING-	
DRAINAGE GRATE TYPE 1	NO. B-22




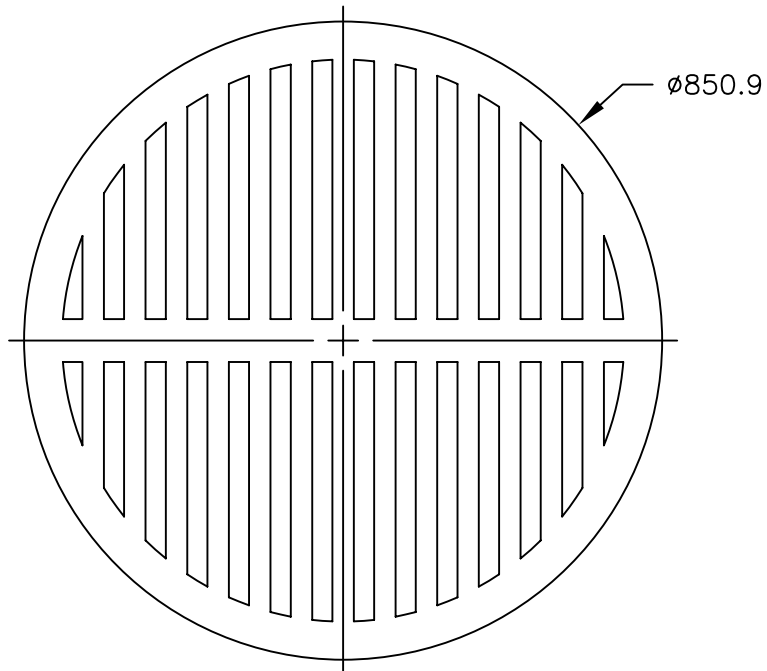
APPROX. WEIGHT
77 KG

 DOBNEY FOUNDRY LTD. SURREY B.C.	
RATING: <div style="font-size: 2em; text-align: center;">GRATE</div>	
NO. B-22A	

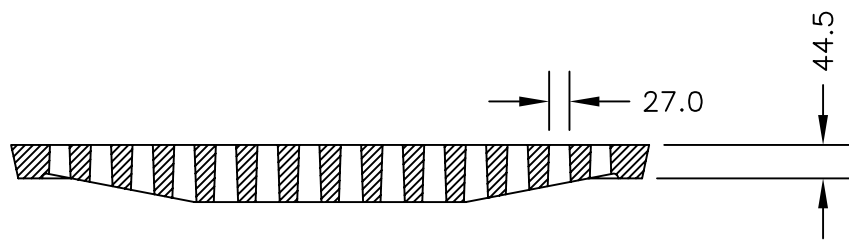


APPROX. WEIGHT
65 KG

 DOBNEY FOUNDRY LTD. SURREY B.C.	
RATING:- HWY LOAD	
GRATE	NO. B-22B



PLAN



WEIGHTS:—

GRATE 138 Kg

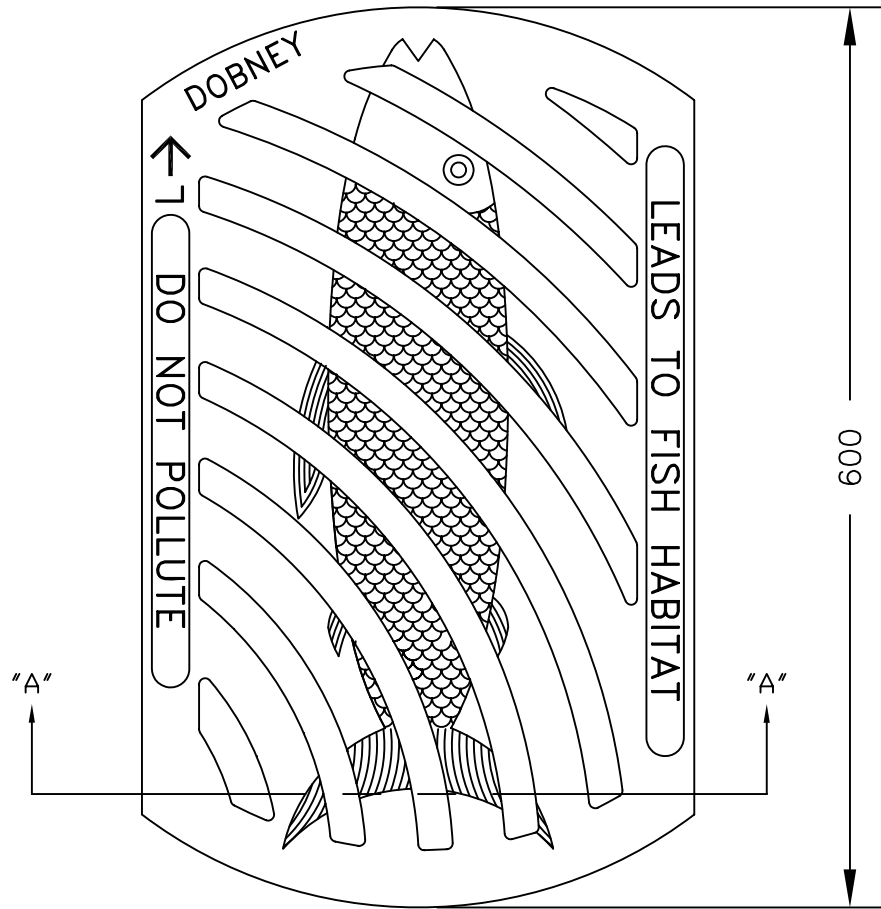
DESIGNED TO FIT THE BELL END
OF A 30" (750mm) CONCRETE PIPE

DOBNEY DOBNEY FOUNDRY LTD.
SURREY B.C.

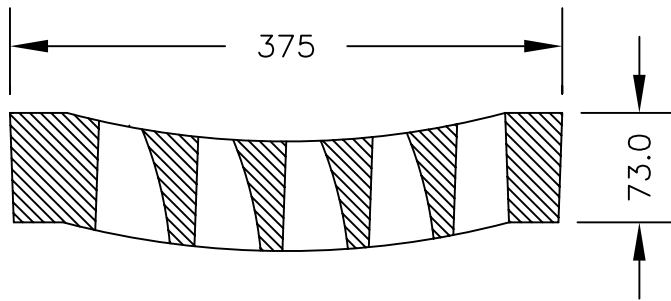
RATING—HWY LOAD

GRATE

NO.
B-22C




PLAN

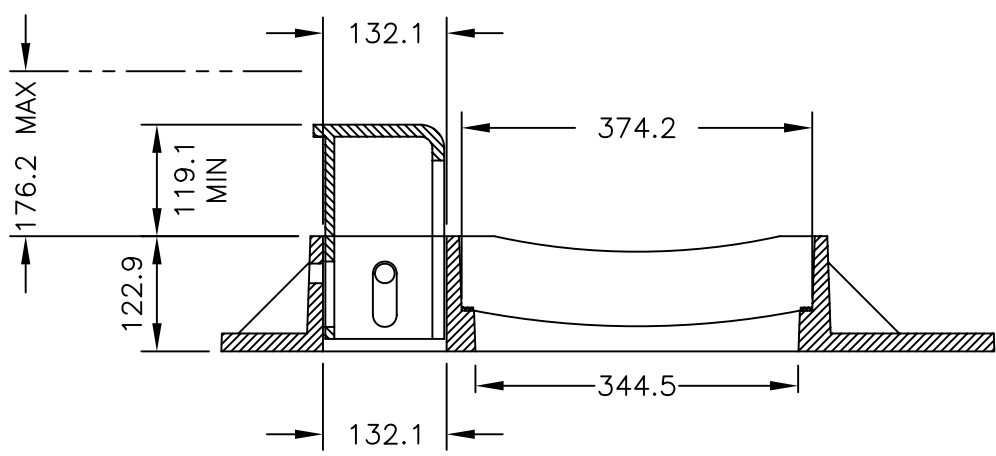
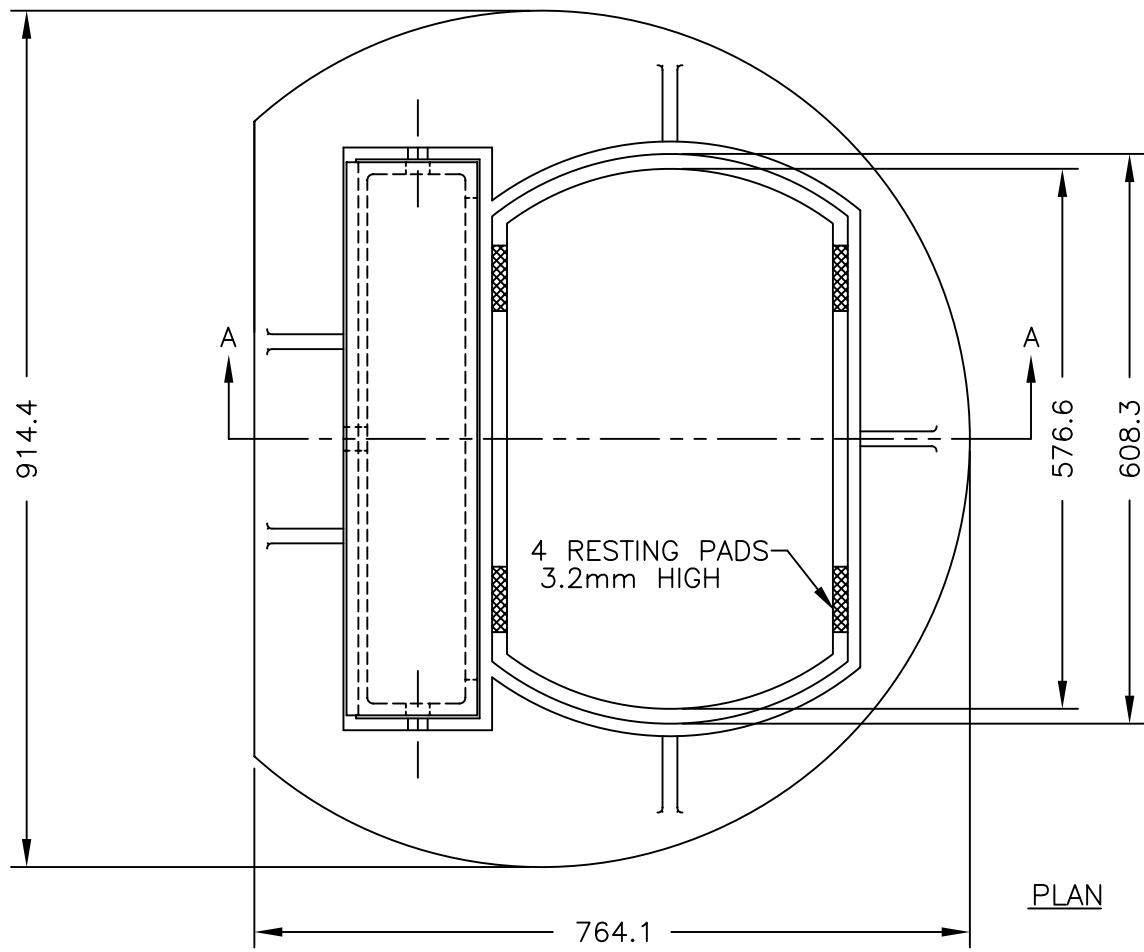


SECTION A-A


ALSO AVAILABLE IN RIGHT HAND

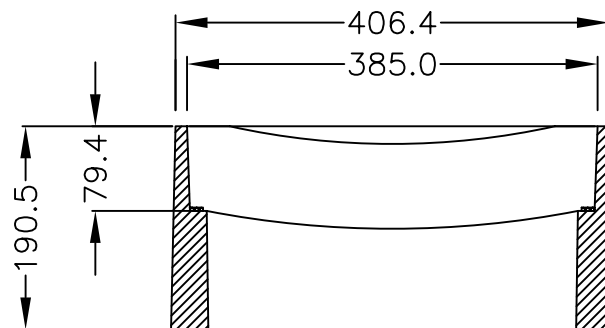
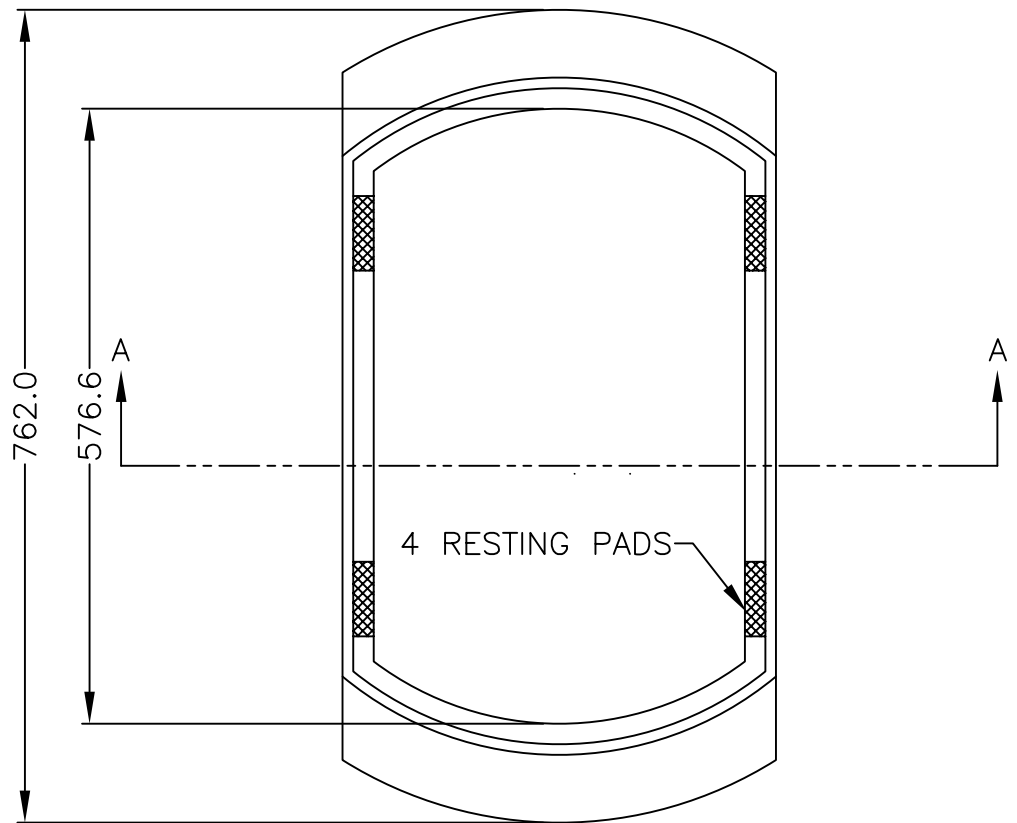
APPROX WEIGHT
GRATE - 53 KG.

 DOBNEY FOUNDRY LTD. SURREY B.C.	
RATING:- HWY LOAD	
DRAINAGE GRATE (LEFT)	NO. B-23




USED WITH B-23 GRATE

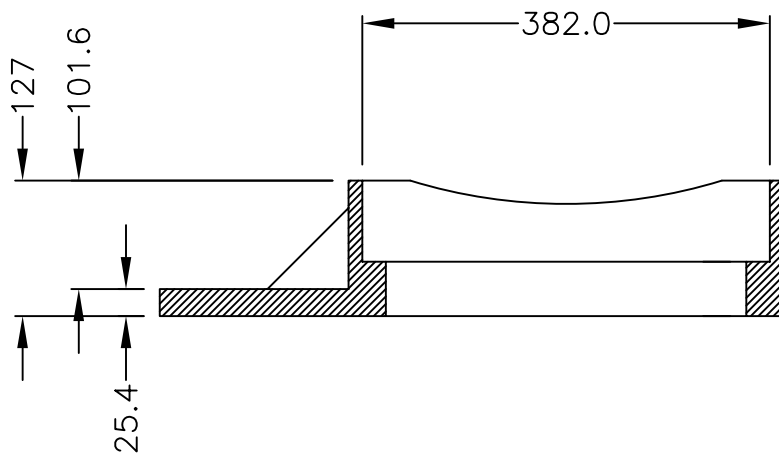
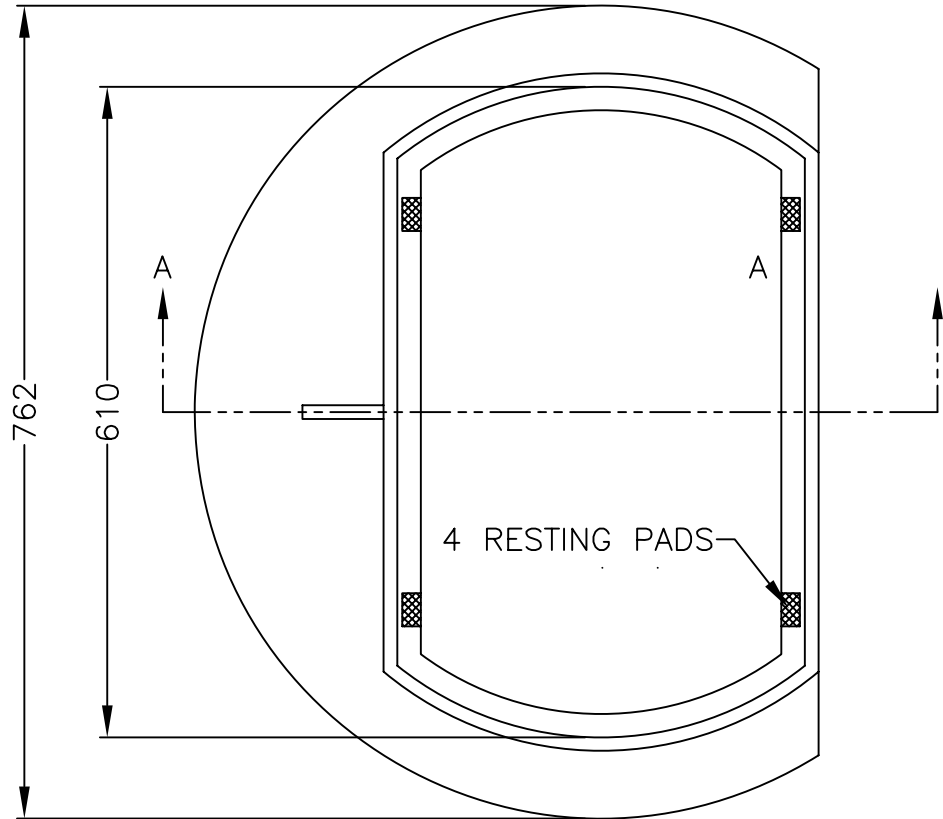
 DOBNEY FOUNDRY LTD. SURREY B.C.	
RATING-HWY LOAD	
ADJUSTABLE FRAME AND HOOD	NO. B-24 ADJ




SECTION A-A

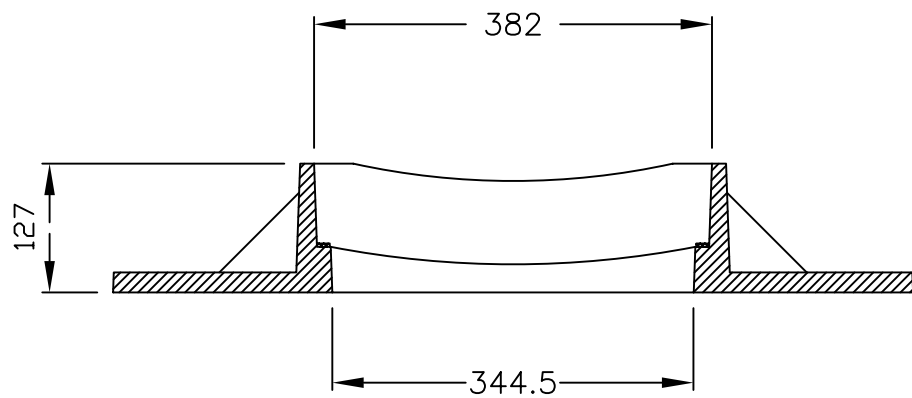
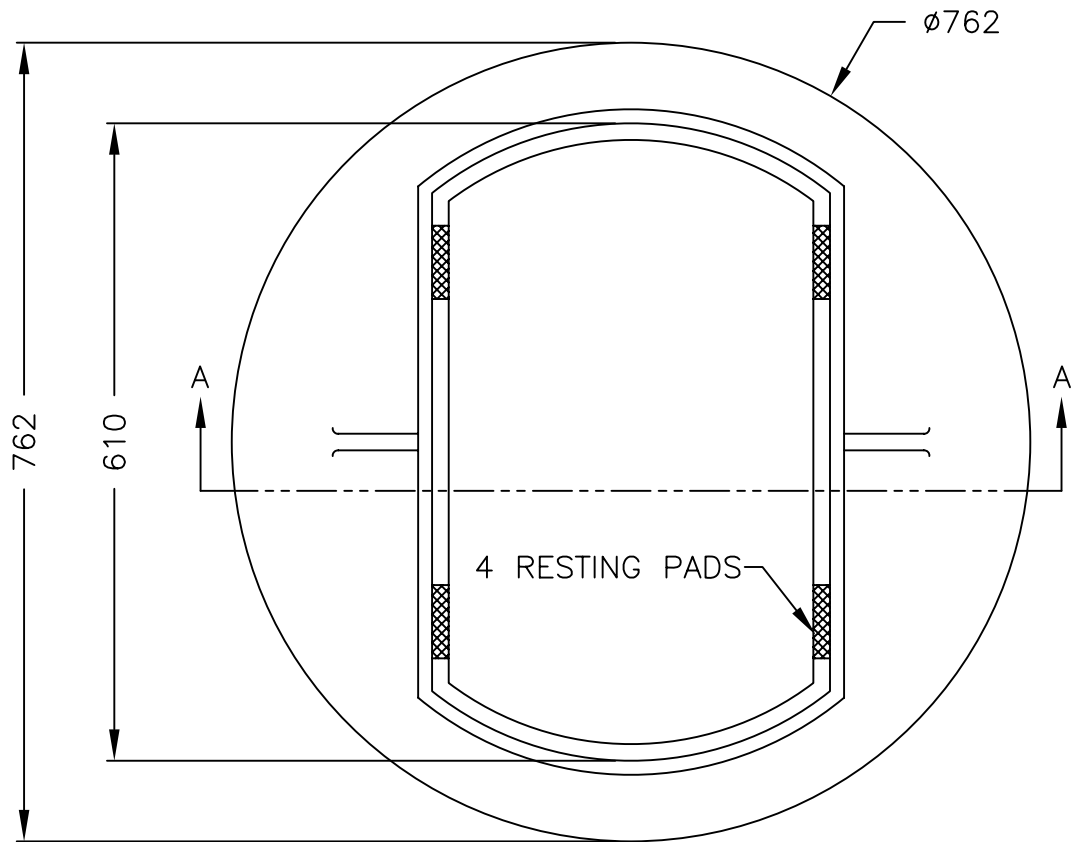
APPROX. WEIGHT
70 KG

 DOBNEY FOUNDRY LTD. SURREY B.C.	
RATING-HWY LOAD	
MODIFIED FRAME	NO. B-24M




APPROX. WEIGHT
'D'FRAME - 59Kg

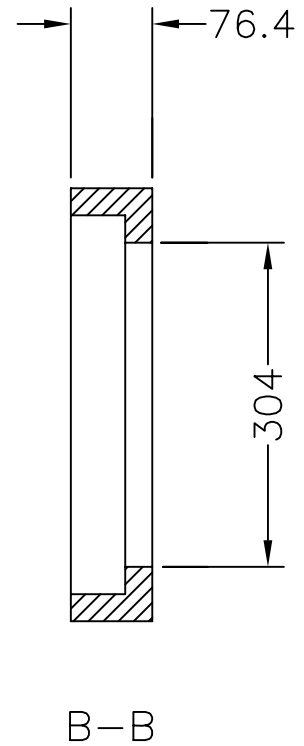
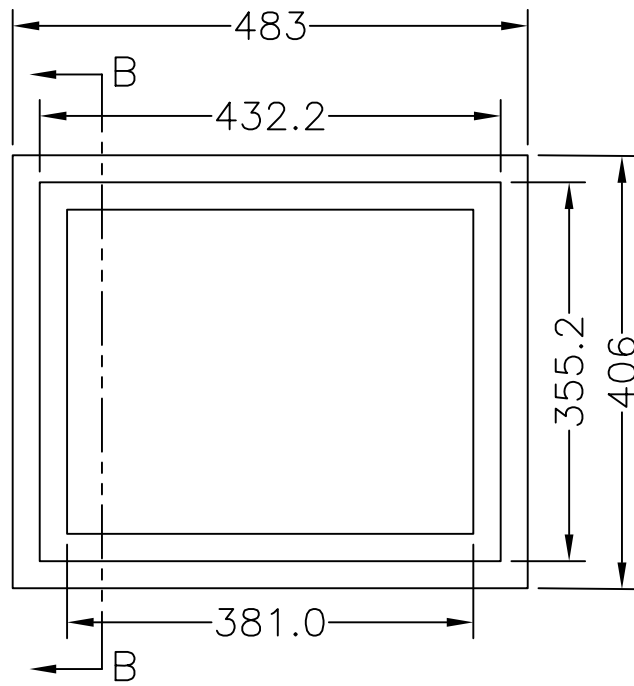
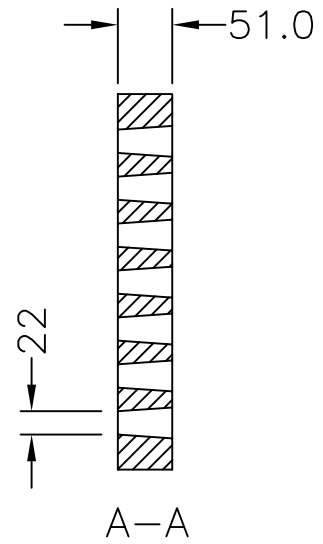
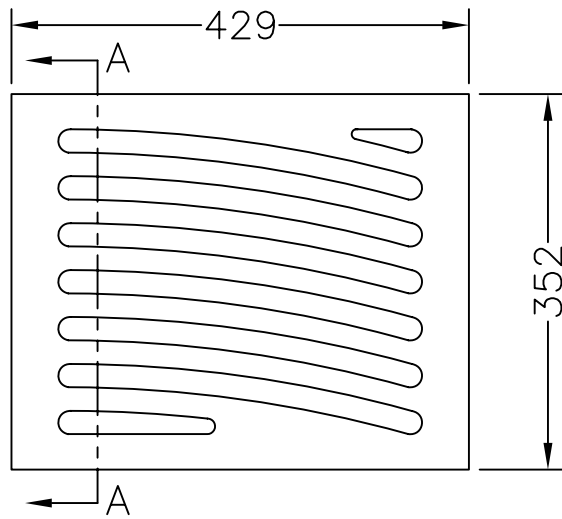
 DOBNEY FOUNDRY LTD. SURREY B.C.	
RATING-HWY LOAD	
DRAINAGE FRAME TYPE 'D'	NO. B-24D




SECTION A-A

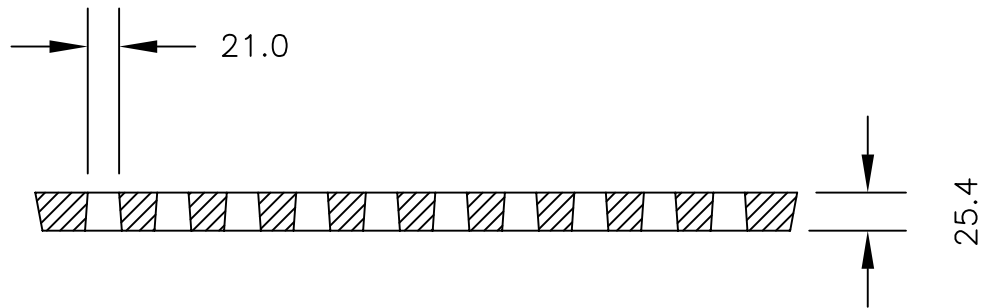
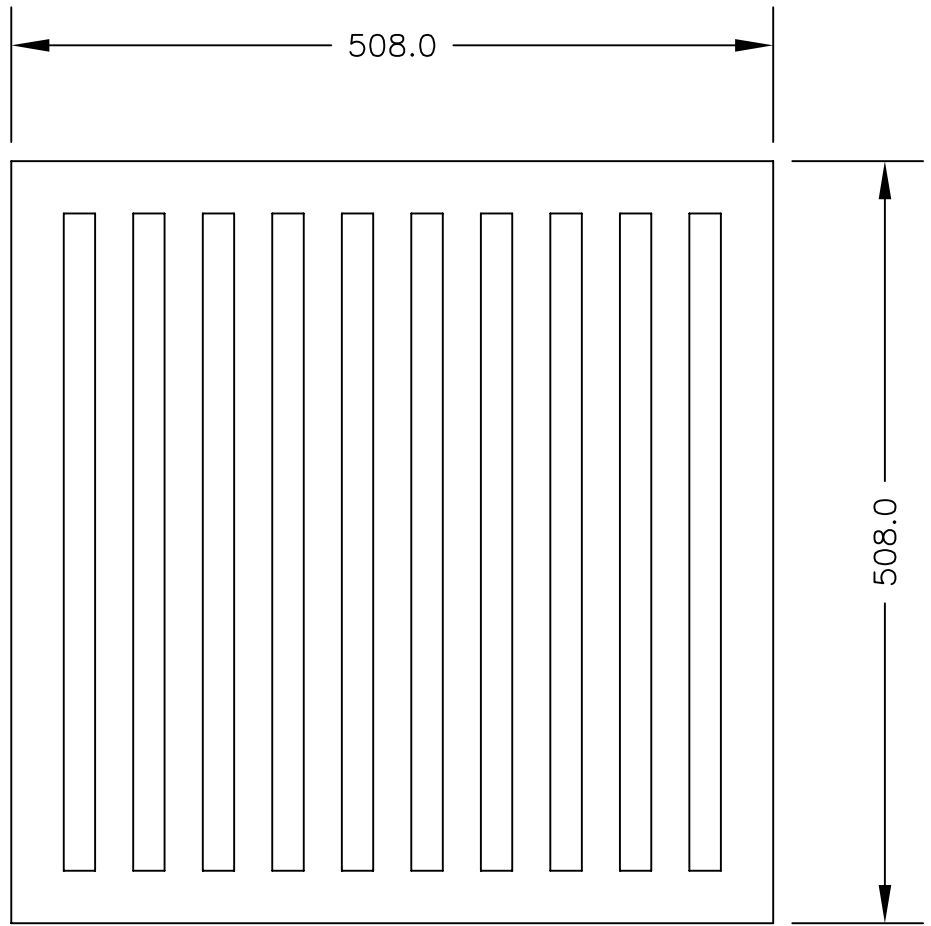
APPROX. WEIGHT
FRAME - 72Kg

 DOBNEY FOUNDRY LTD. SURREY B.C.	
RATING-HWY LOAD	
CURB GUTTER FRAME	NO. B-24FC




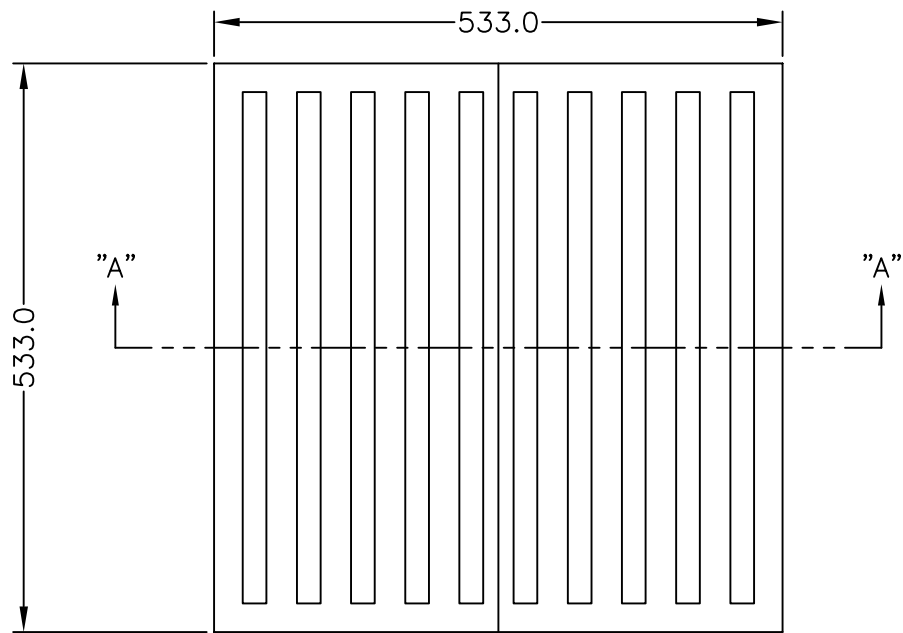
APPROX. WEIGHT
 GRATE - 32 Kg
 FRAME - 30 Kg

		DOBNEY FOUNDRY LTD. SURREY B.C.	
RATING-HWY LOAD			
429 x 352 DRAIN GRATE & FRAME		NO. B-25A	

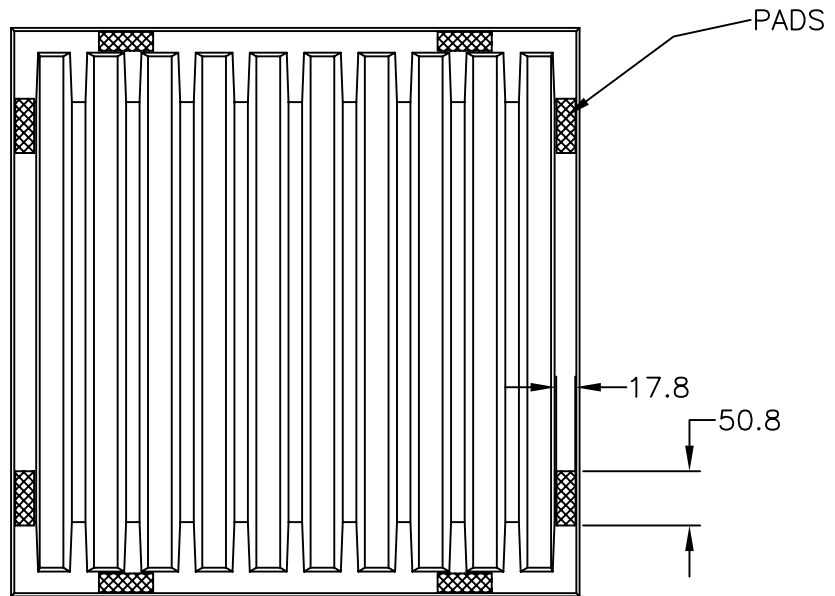
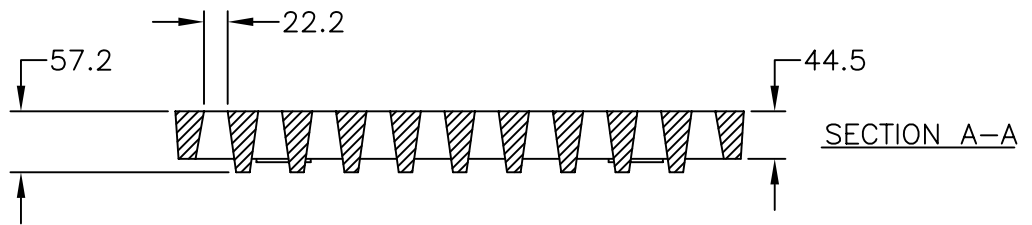


APPROX. WEIGHT
GRATE—24 kg

 DOBNEY FOUNDRY LTD. SURREY B.C.	
RATING—	
GRATE	NO. B—25D




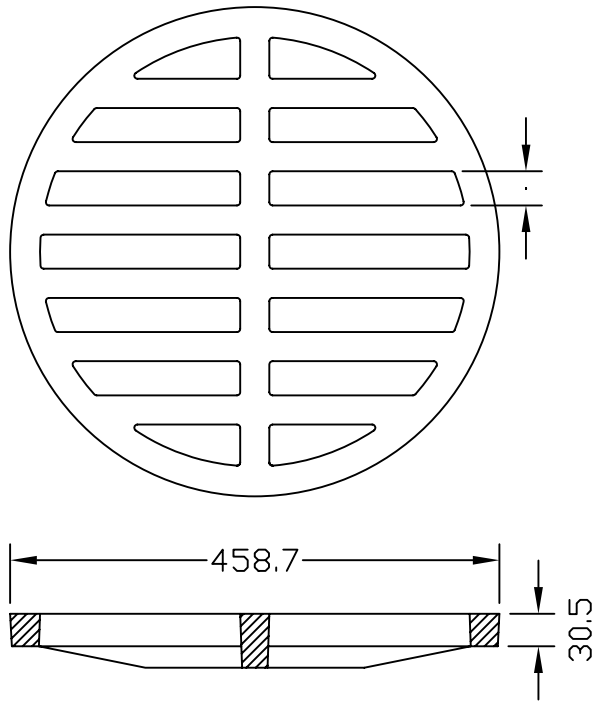
PLAN



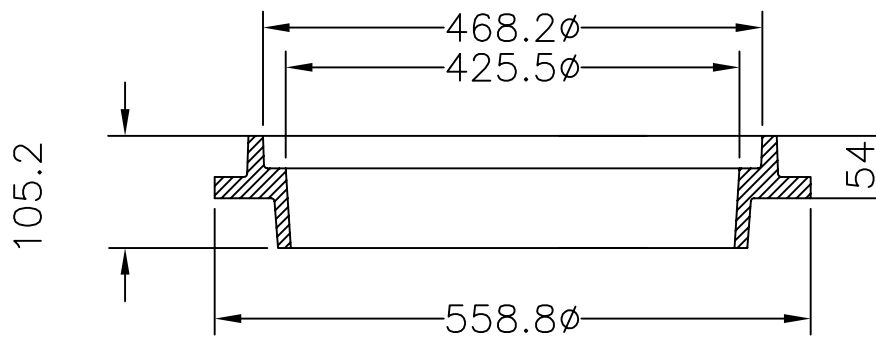
U/S

APPROX WEIGHT
GRATE - 52 KG.

 DOBNEY FOUNDRY LTD. SURREY B.C.	
RATING-HWY LOAD	
GRATE	NO. B-25F




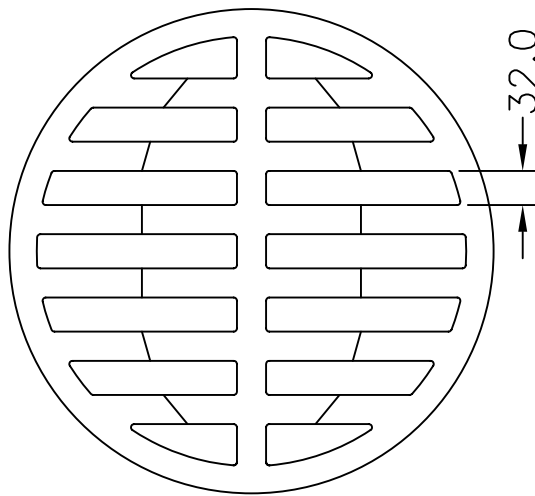
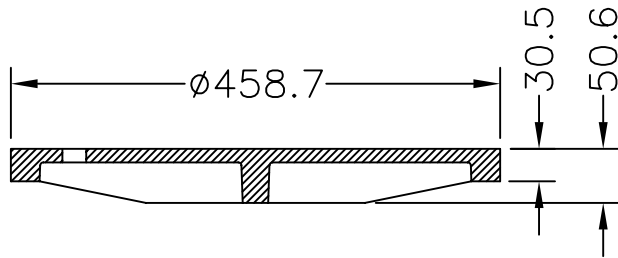
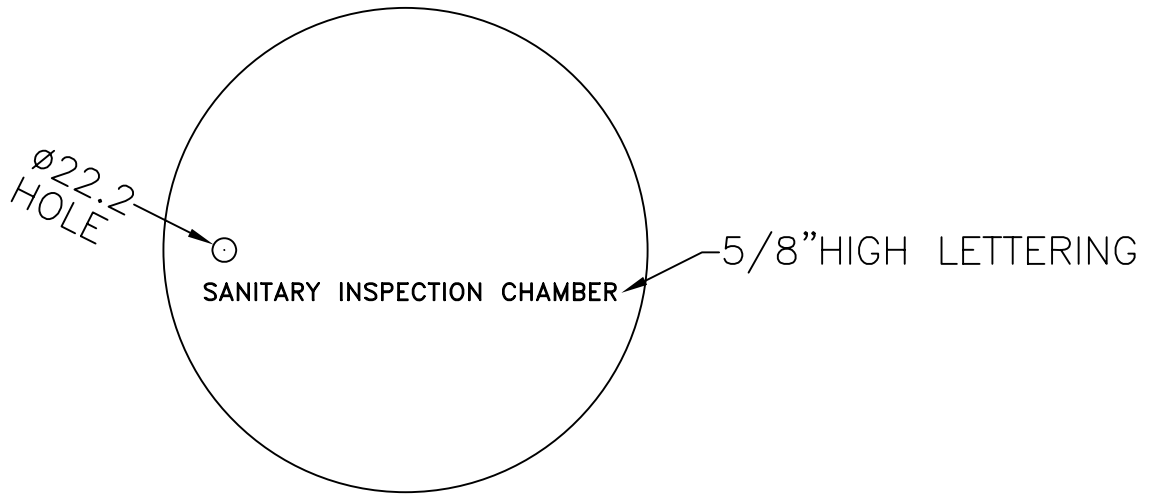
GRATE




FRAME

APPROX. WEIGHT
 GRATE - 23.58 Kg
 FRAME - 28.57 Kg

 DOBNEY FOUNDRY LTD. SURREY B.C.	
RATING-HWY LOAD	
FRAME AND GRATE	NO. B-26A

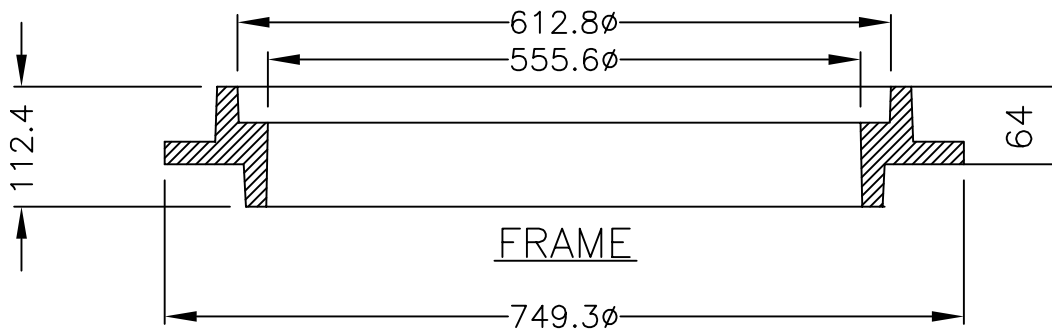
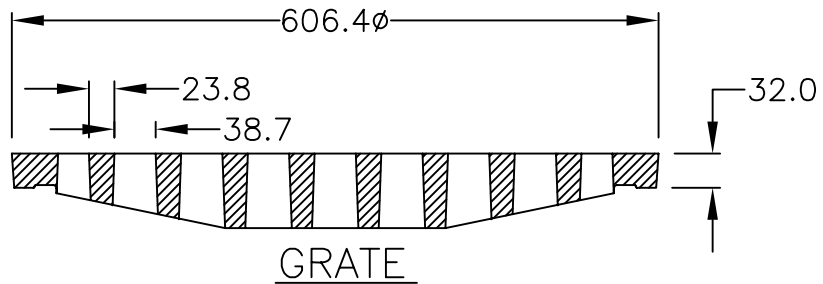
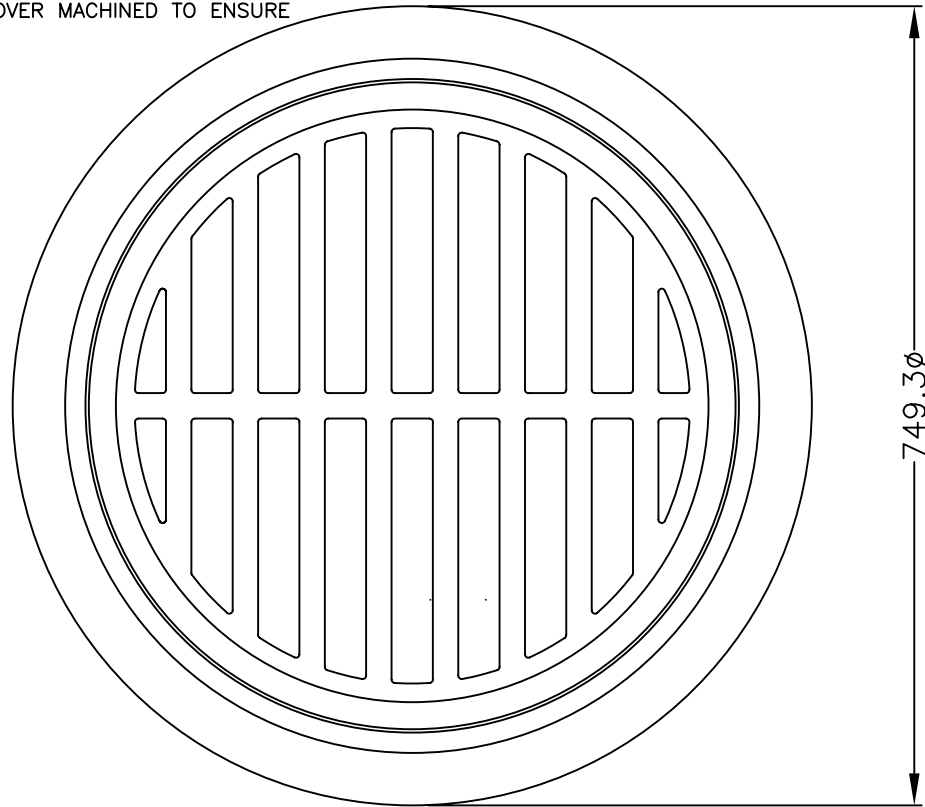


APPROX. WEIGHT
COVER — 26.30 Kg

 DOBNEY FOUNDRY LTD. SURREY B.C.	
RATING—HWY LOAD	
COVER	NO. B-26A

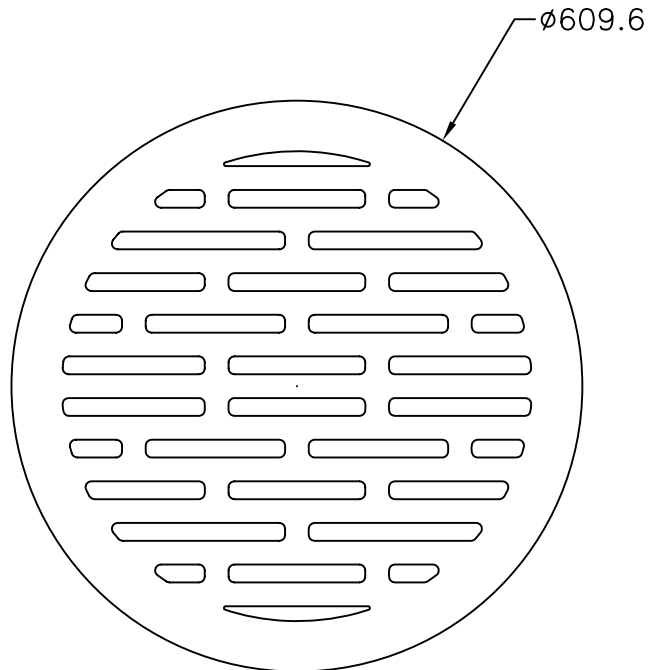
NOTES:

ALL METAL BEARING SURFACES BETWEEN
FRAME AND COVER MACHINED TO ENSURE
GOOD SEATING

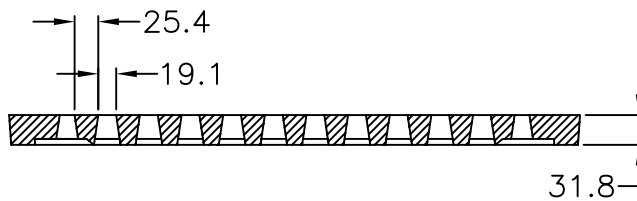


APPROX WEIGHT
GRATE — 45.81KG.
FRAME — 58.96KG.


DOBNEY		DOBNEY FOUNDRY LTD. SURREY B.C.	
RATING—HWY LOAD			
610 DIA. DRAIN GRATE & FRAME			NO. B-26B

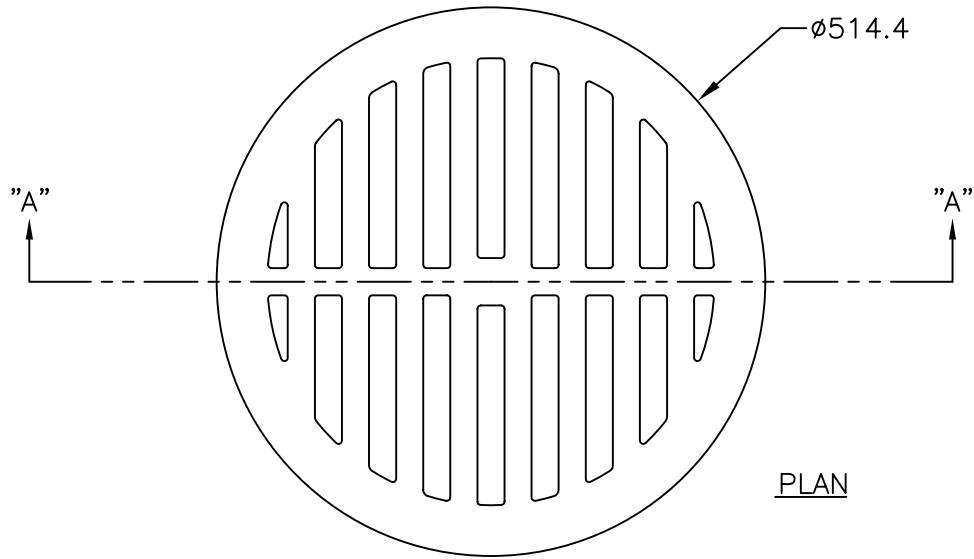


PLAN - COVER

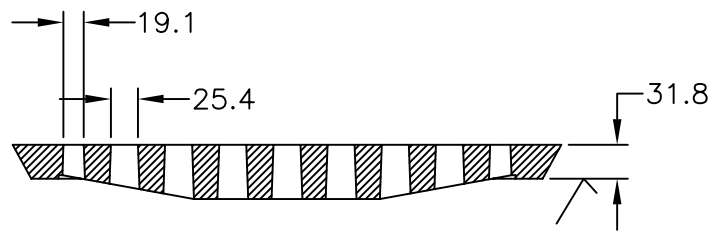


APPROX WEIGHT
GRATE - 42 KG

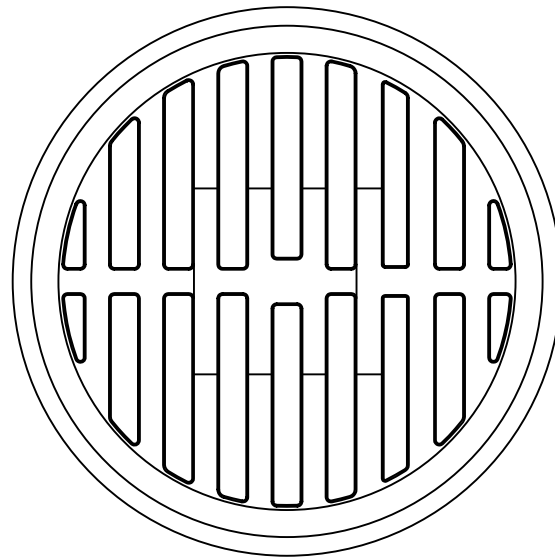
 DOBNEY FOUNDRY LTD. SURREY B.C.	
RATING-HWY LOAD	
MODIFIED GRATE	NO. B-26B-M



PLAN




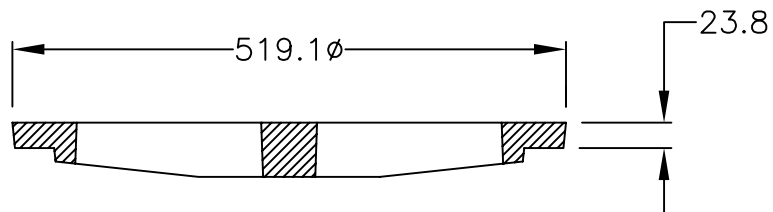
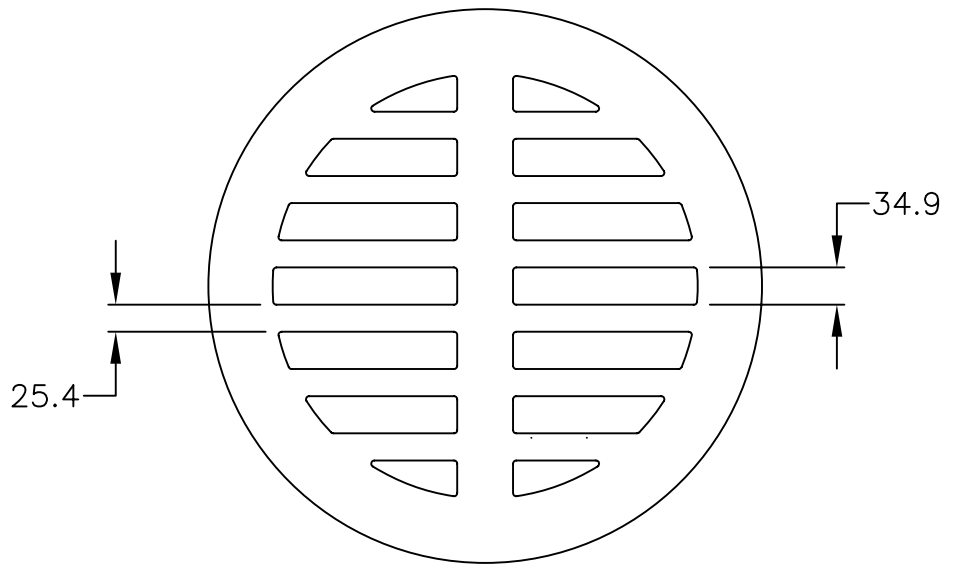
SECTION A-A




U/S

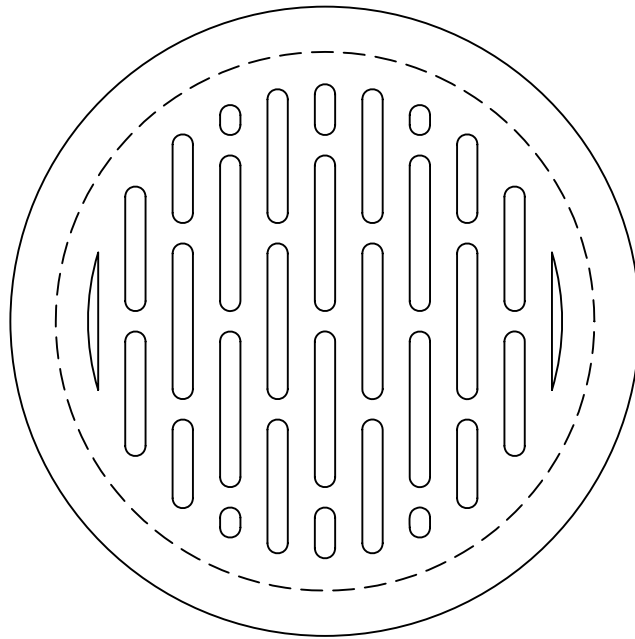
APPROX WEIGHT
GRATE - 31 KG.

 DOBNEY FOUNDRY LTD. SURREY B.C.	
RATING-HWY LOAD	
GRATE	NO. B-26C

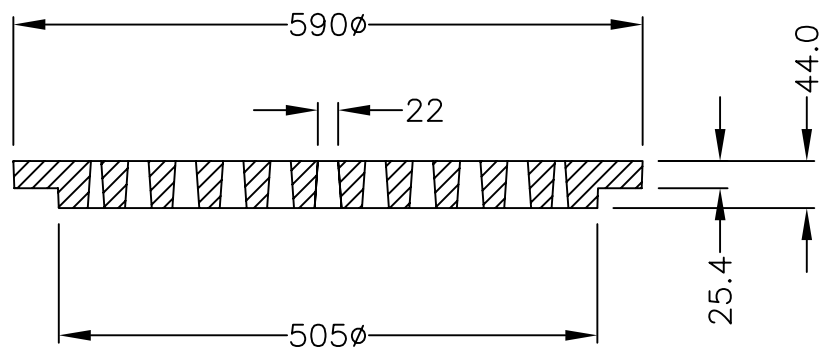


APPROX WEIGHT
GRATE - 34 KG.


 DOBNEY FOUNDRY LTD. SURREY B.C.	
RATING-HWY LOAD	
GRATE (METRIC)	NO. B-26C Met.

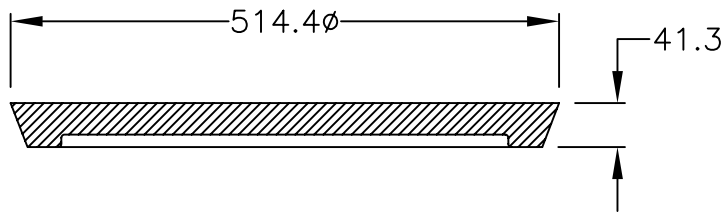
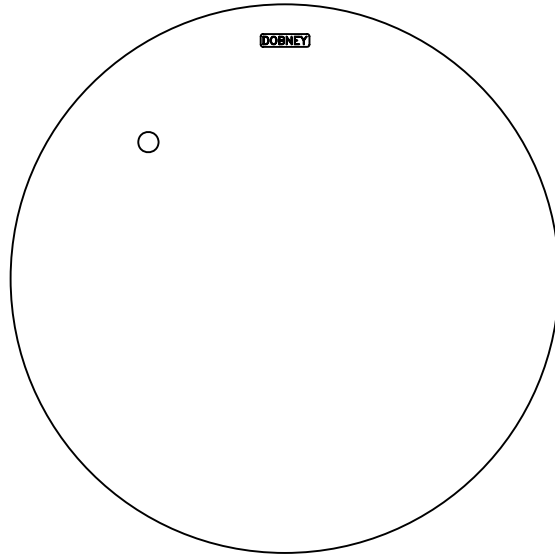


PLAN




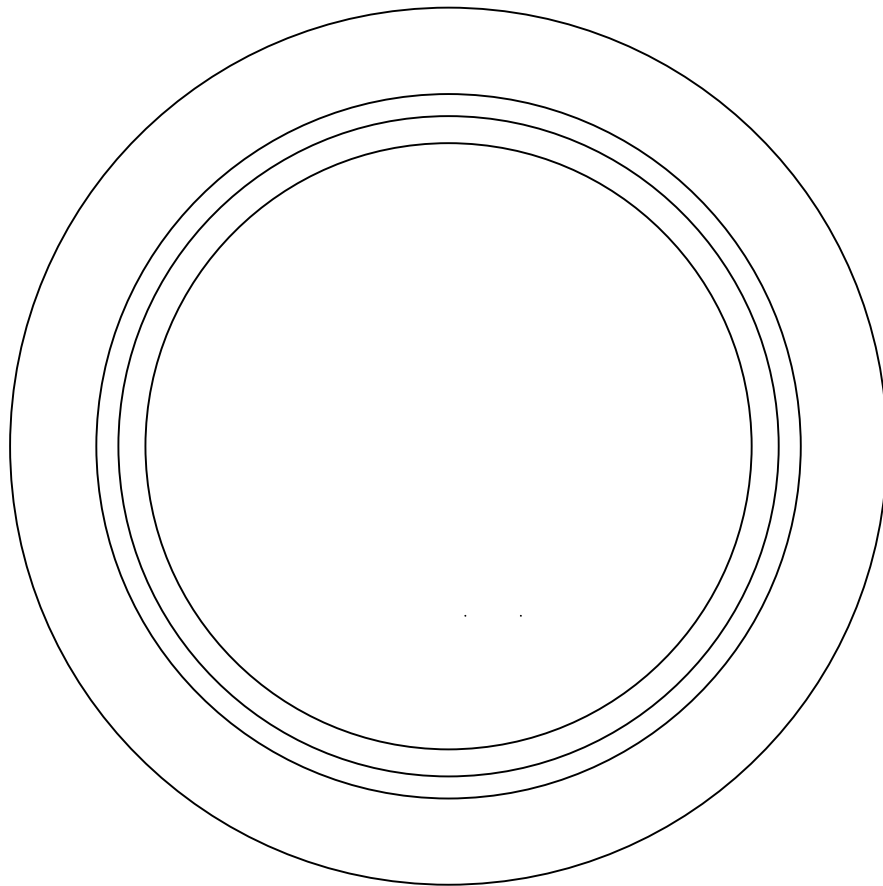
APPROX. WEIGHT
GRATE— 34 KG

 DOBNEY FOUNDRY LTD. SURREY B.C.	
RATING—HWY LOAD	
B-26C GRATE MODIFIED	NO. B-26C Mod.

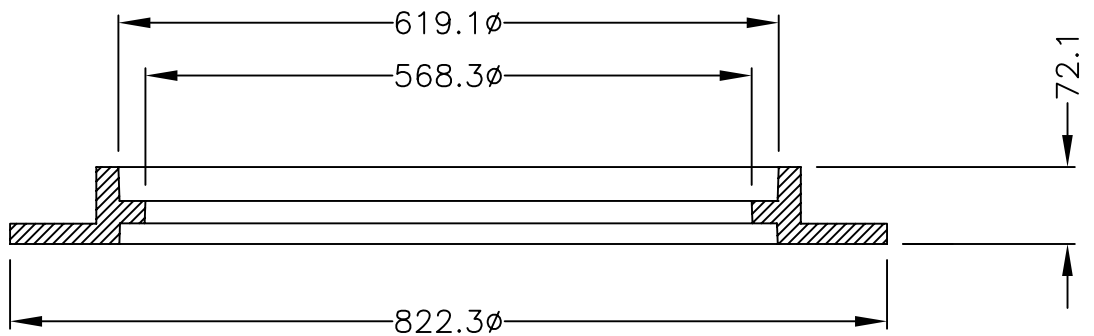


APPROX WEIGHT
COVER - 39 KG.

		DOBNEY FOUNDRY LTD. SURREY B.C.
RATING-HWY LOAD		
SOLID COVER		NO. B-26C




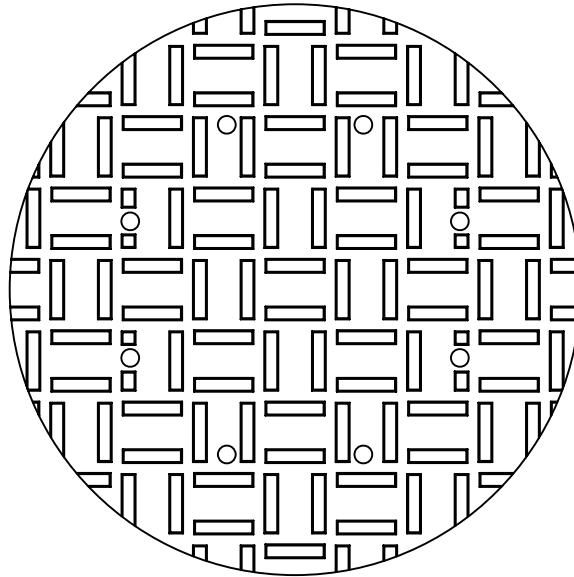
PLAN - FRAME



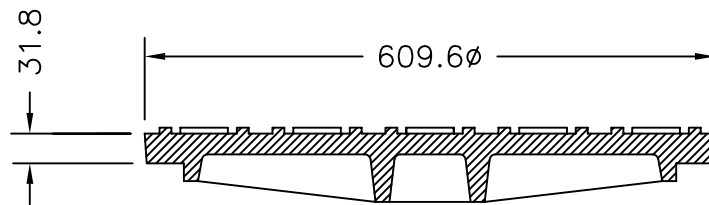
APPROX WEIGHT
FRAME - 52KG.

NOTES:
ALL METAL BEARING SURFACES BETWEEN
FRAME AND COVER MACHINED TO ENSURE
GOOD SEATING


 DOBNEY FOUNDRY LTD. SURREY B.C.	
RATING-HWY LOAD	
MANHOLE FRAME 610 DIA.	NO. B-26D

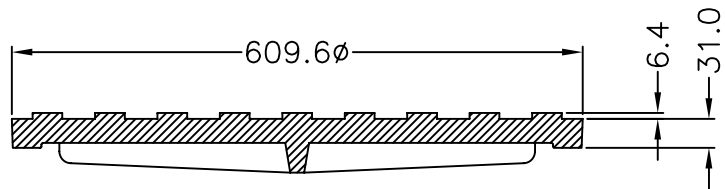
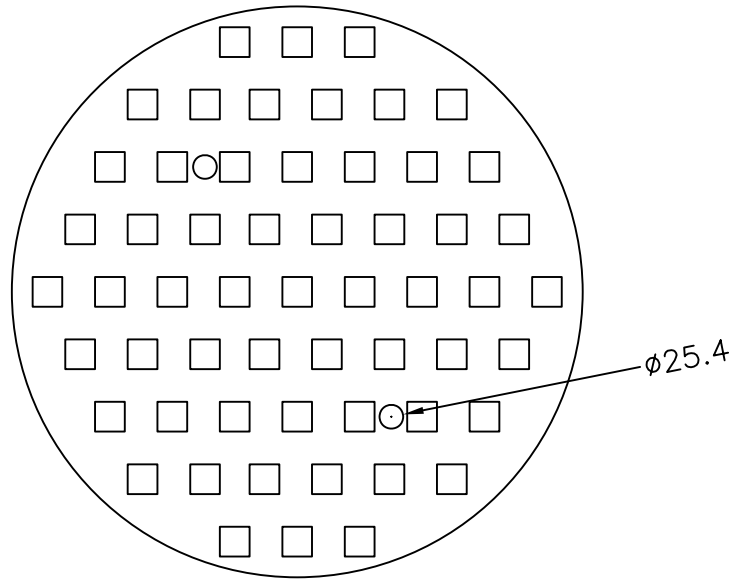


PLAN - COVER




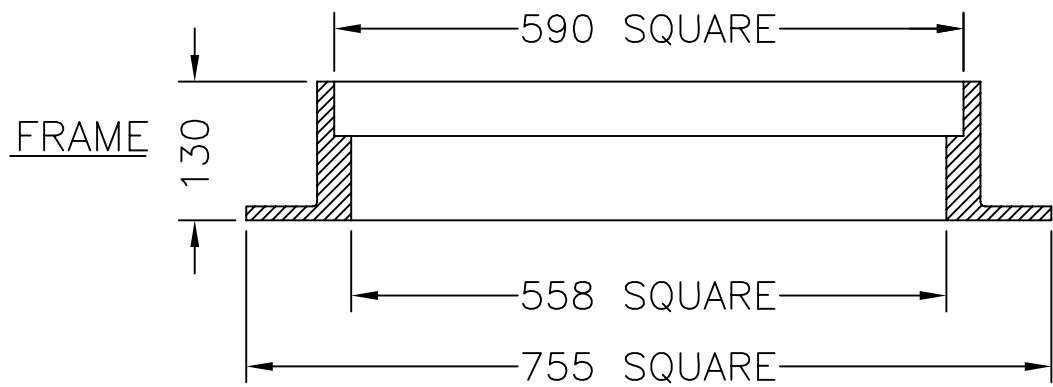
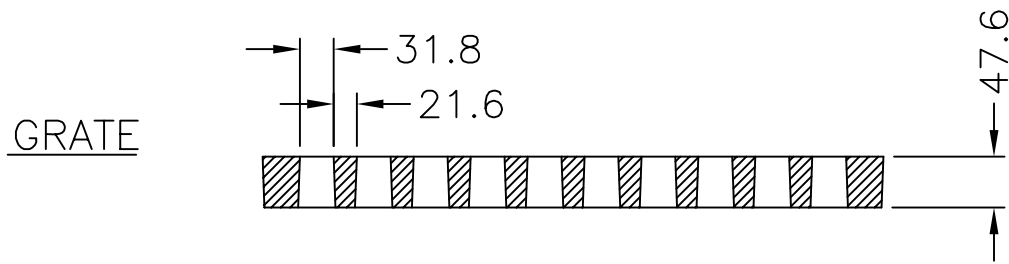
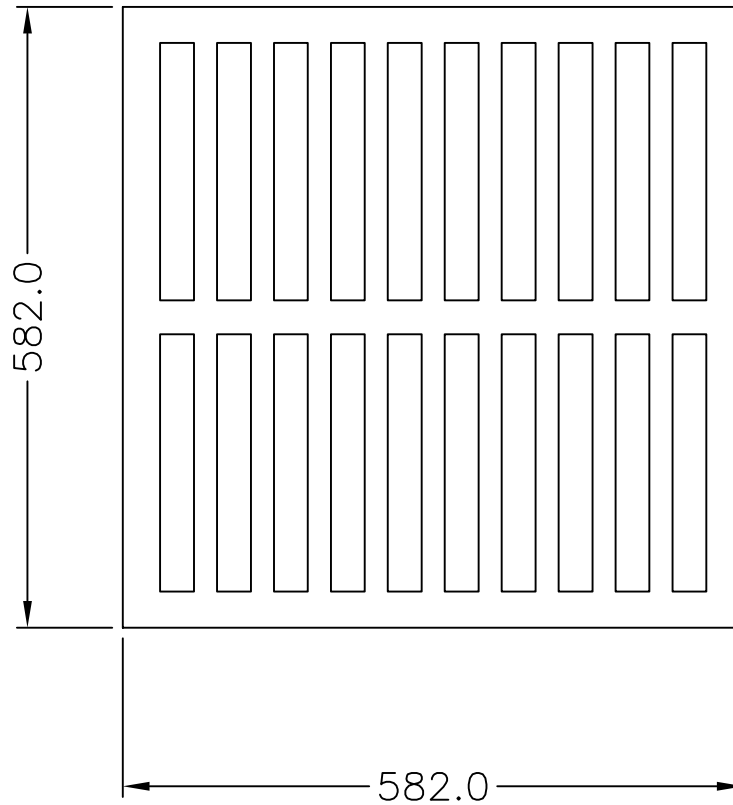
APPROX WEIGHT
COVER - 77 KG

	DOBNEY FOUNDRY LTD. SURREY B.C.
RATING-HWY LOAD	
610 DIA. MANHOLE COVER	NO. B-26E




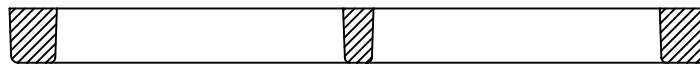
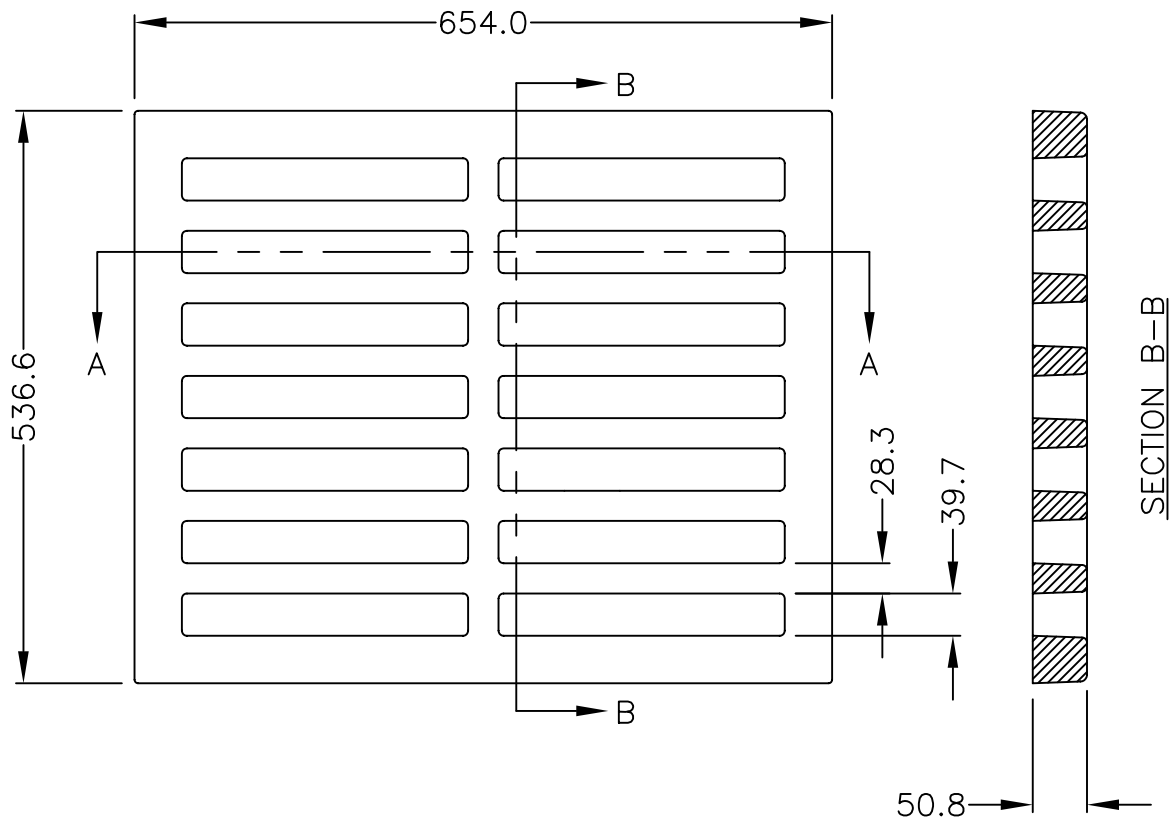
APPROX WEIGHT
COVER — 59 KG.

 DOBNEY FOUNDRY LTD. SURREY B.C.	
RATING—HWY LOAD	
610 DIA. MANHOLE COVER	NO. B—26F




APPROX. WEIGHT
 GRATE - 73 Kg
 FRAME - 76 Kg

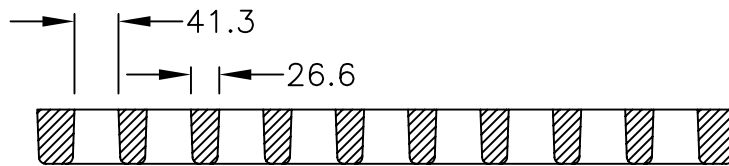
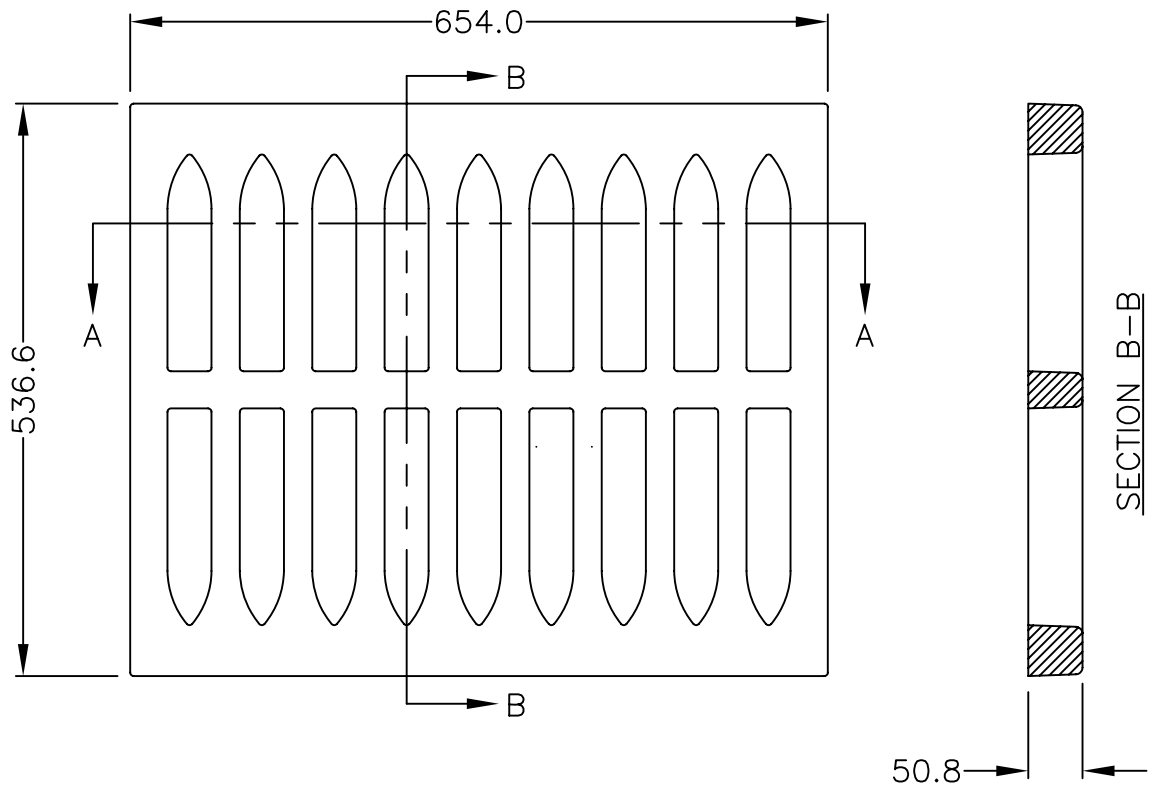
 DOBNEY FOUNDRY LTD. SURREY B.C.	
RATING-HWY LOAD	
GRATE & FRAME	NO. B-27



SECTION A-A


APPROX WEIGHT
GRATE - 70.5KG.

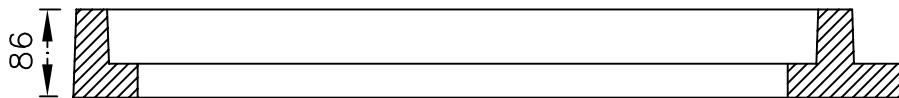
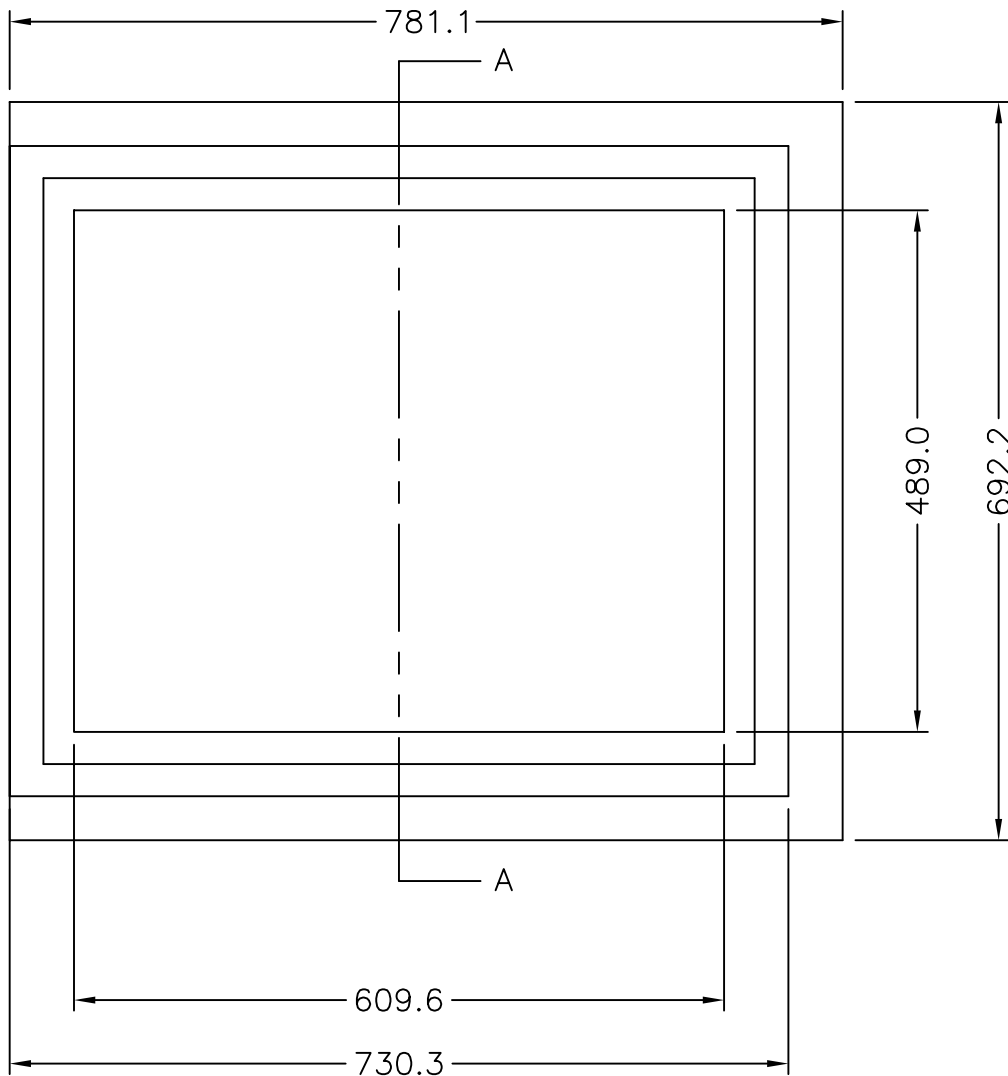
 DOBNEY FOUNDRY LTD. SURREY B.C.	
RATING-HWY LOAD	
GRATE (KITIMAT)	NO. B-28KIT



SECTION A-A


APPROX WEIGHT
GRATE - 71 KG.

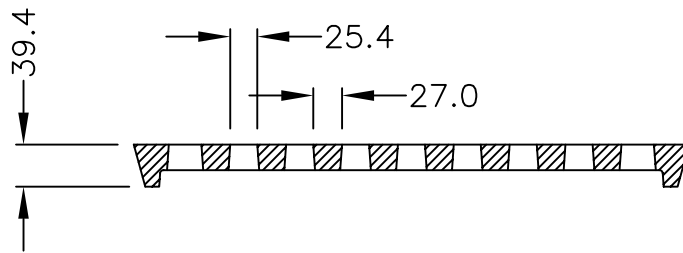
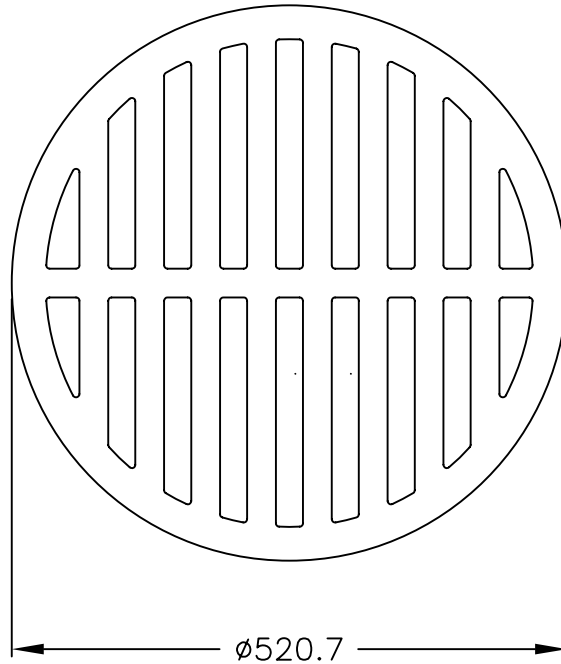
 DOBNEY FOUNDRY LTD. SURREY B.C.	
RATING-HWY LOAD	
GRATE (No.32)	NO. B-28




SECTION A-A

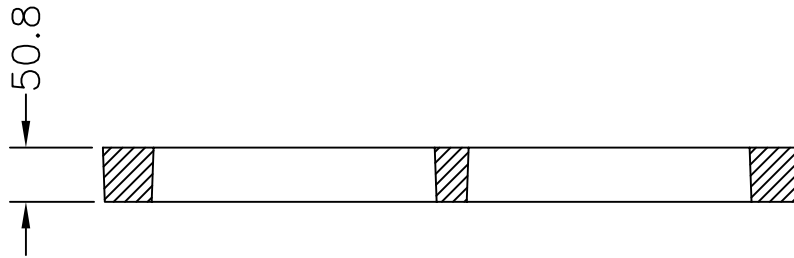
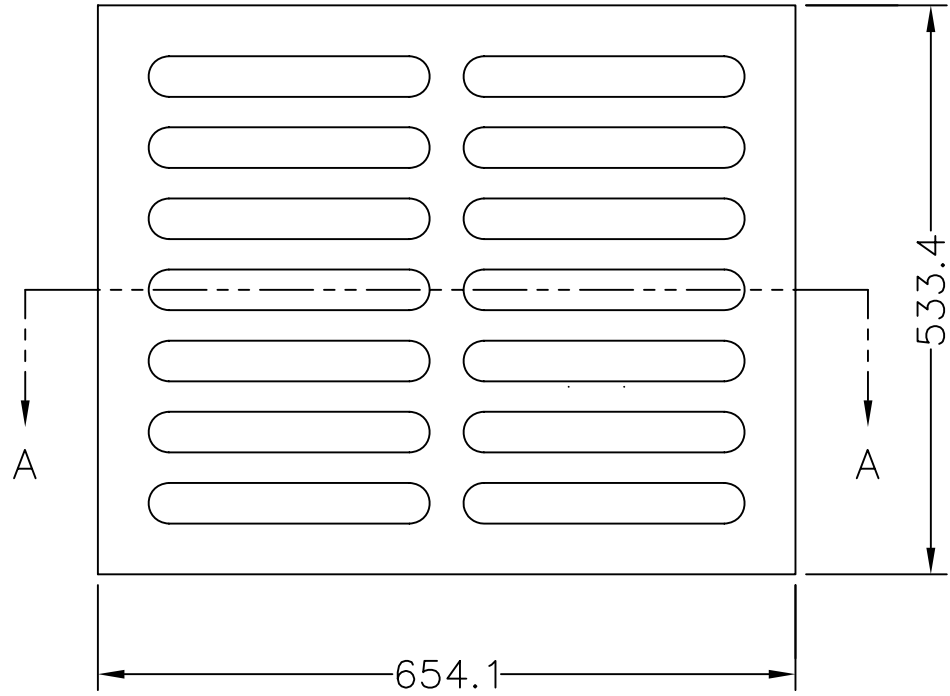
APPROX WEIGHT
FRAME - 92 KG

 DOBNEY FOUNDRY LTD. SURREY B.C.	
RATING-HWY LOAD	
FRAME	NO. B-28




APPROX WEIGHT
GRATE — 22 KG.

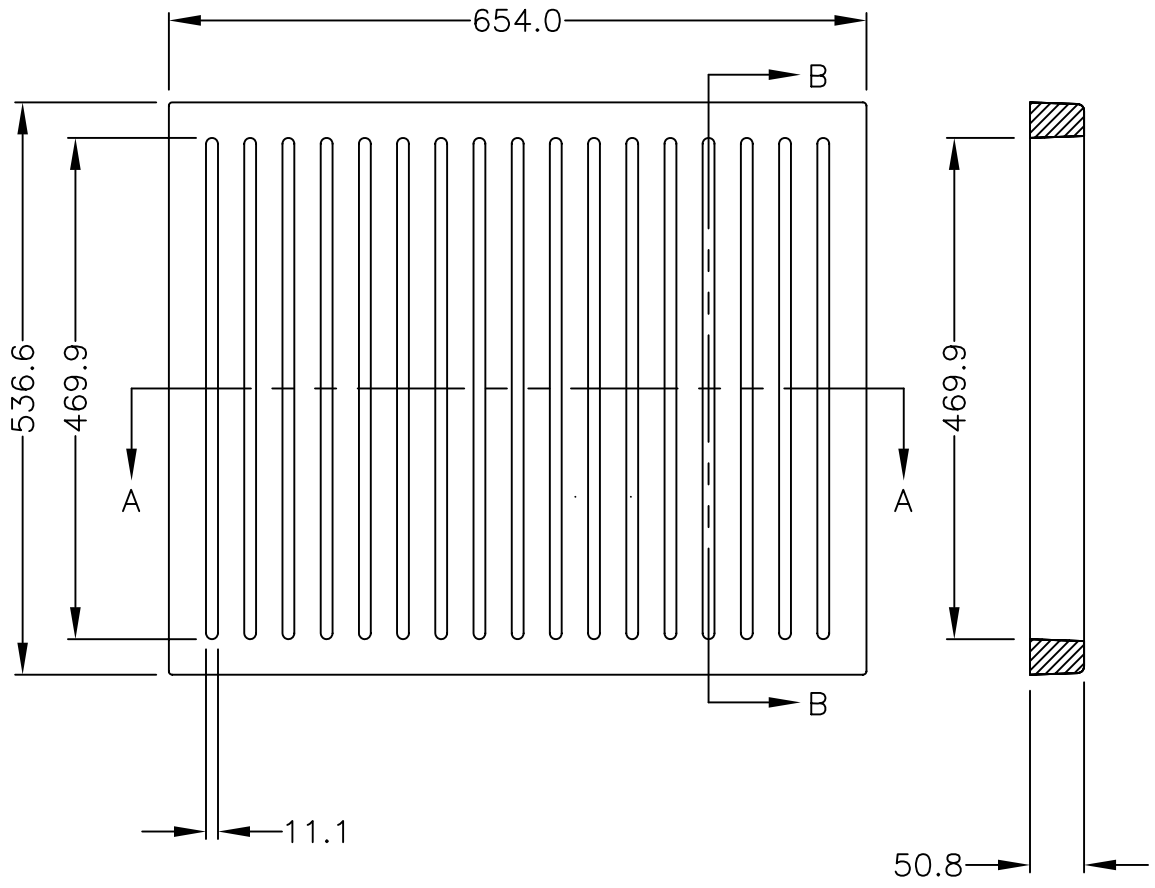
 DOBNEY FOUNDRY LTD. SURREY B.C.	
RATING—	
B26C GRATE LT.	NO. B-26C



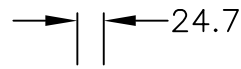
APPROX. WEIGHT

GRATE - 70 Kg

 DOBNEY FOUNDRY LTD. SURREY B.C.	
RATING-HWY LOAD	
GRATE	NO. B-28




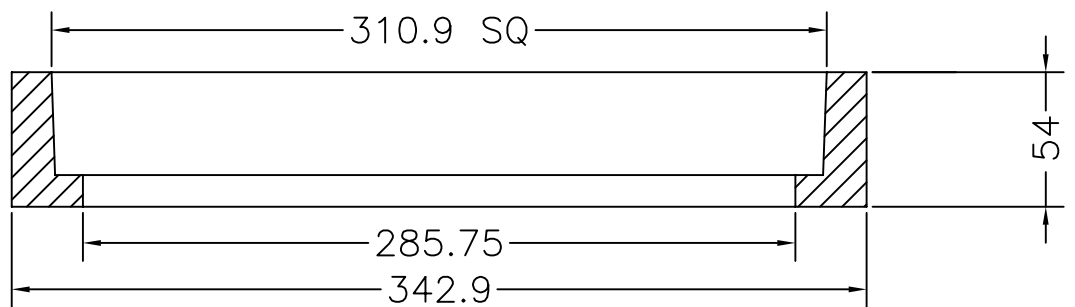
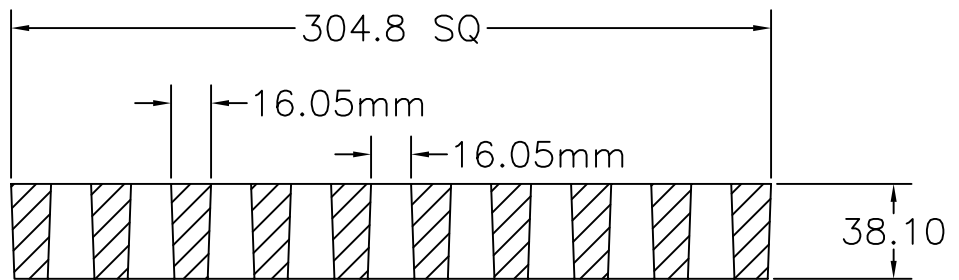
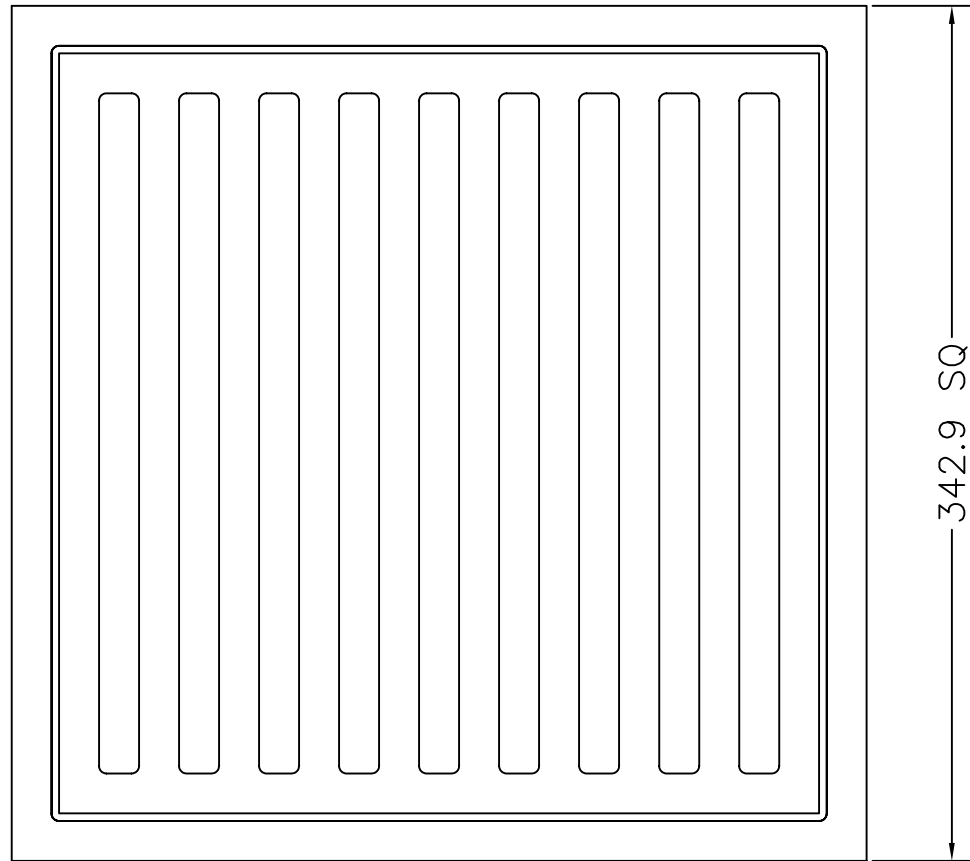
SECTION B-B




SECTION A-A

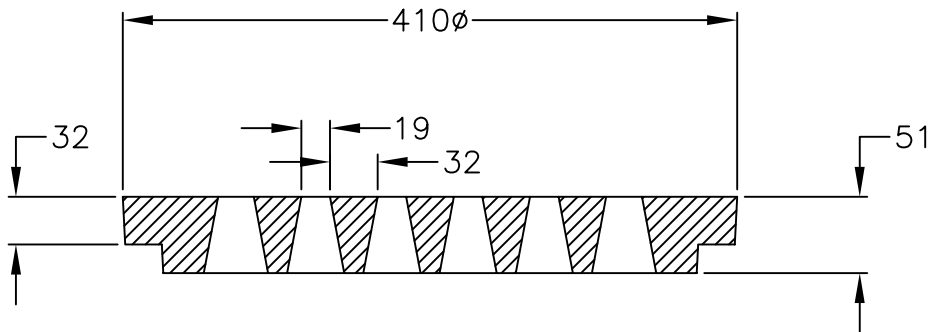
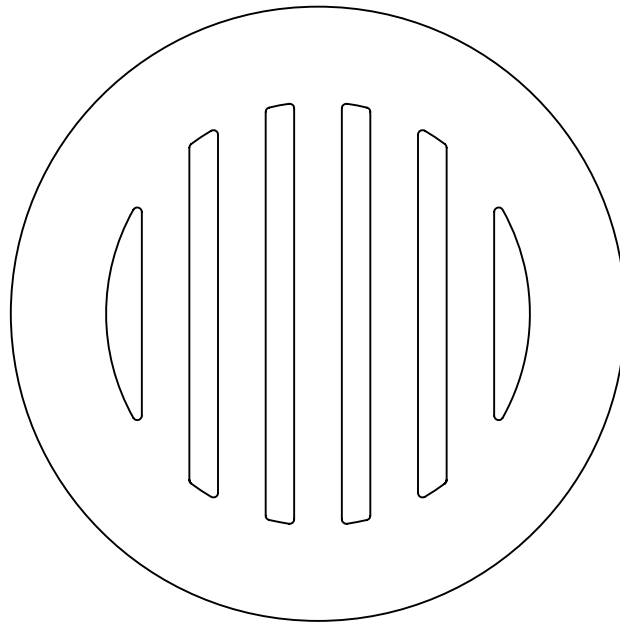
APPROX WEIGHT
GRATE - 70KG.

 DOBNEY FOUNDRY LTD. SURREY B.C.	
RATING-HWY LOAD	
GRATE (PEDESTRIAN)	NO. B-28PED



APPROX. WEIGHT
 FRAME - 18 KG
 GRATE - 12 KG

 DOBNEY FOUNDRY LTD. SURREY B.C.	
RATING-HWY LOAD	
FRAME & GRATE	NO. B-30



CAST IRON GRATE FOR
406 MM I.D. RISER PIPE

APPROX. WEIGHT
GRATE - 24.95KG

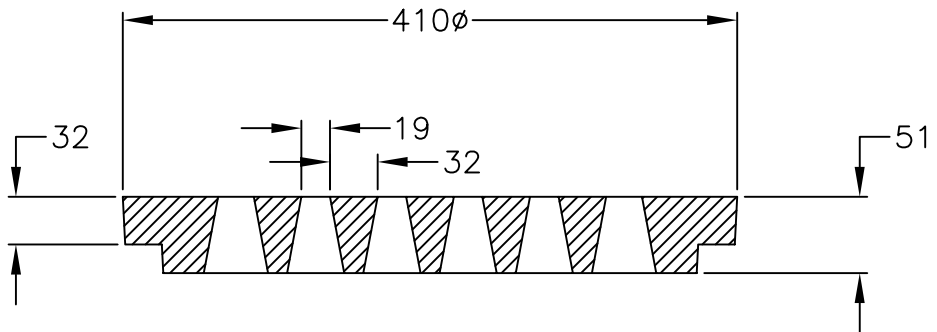
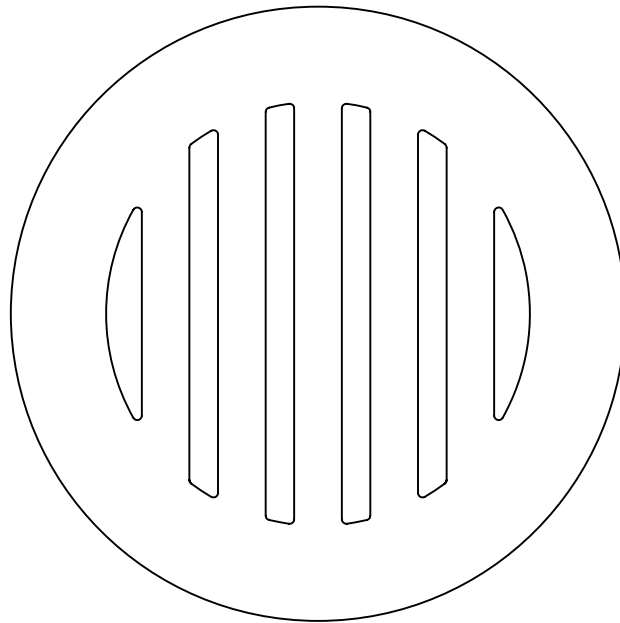


DOBNEY FOUNDRY LTD.
SURREY B.C.

RATING-HWY LOAD


GRATE

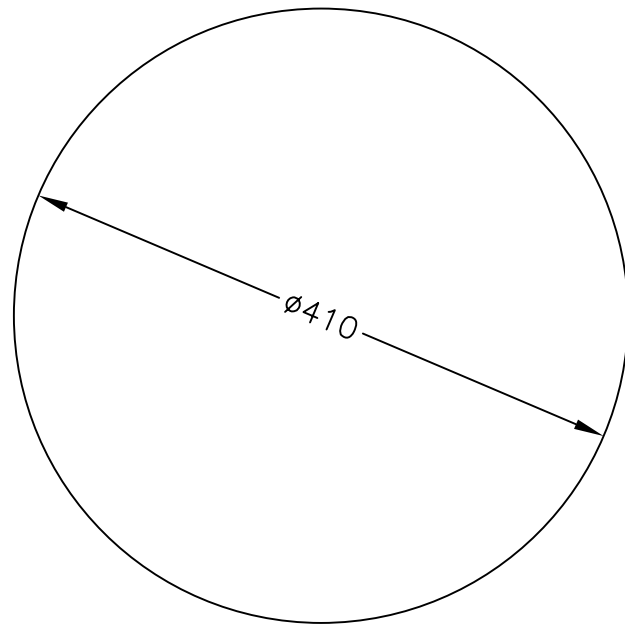
NO.
B-33



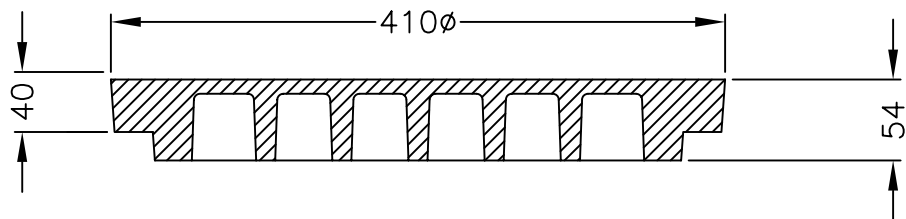
DESIGNED TO FIT THE BELL END
OF 15" (375MM) CONCRTE PIPE

APPROX. WEIGHT
GRATE - 25 KG

 DOBNEY FOUNDRY LTD. SURREY B.C.	
RATING-HWY LOAD	
GRATE	NO. B-33R



TOP VIEW



DESIGNED TO FIT THE BELL END
OF 15"(375MM) CONCRETE PIPE.

APPROX. WEIGHT
COVER - 30 KG

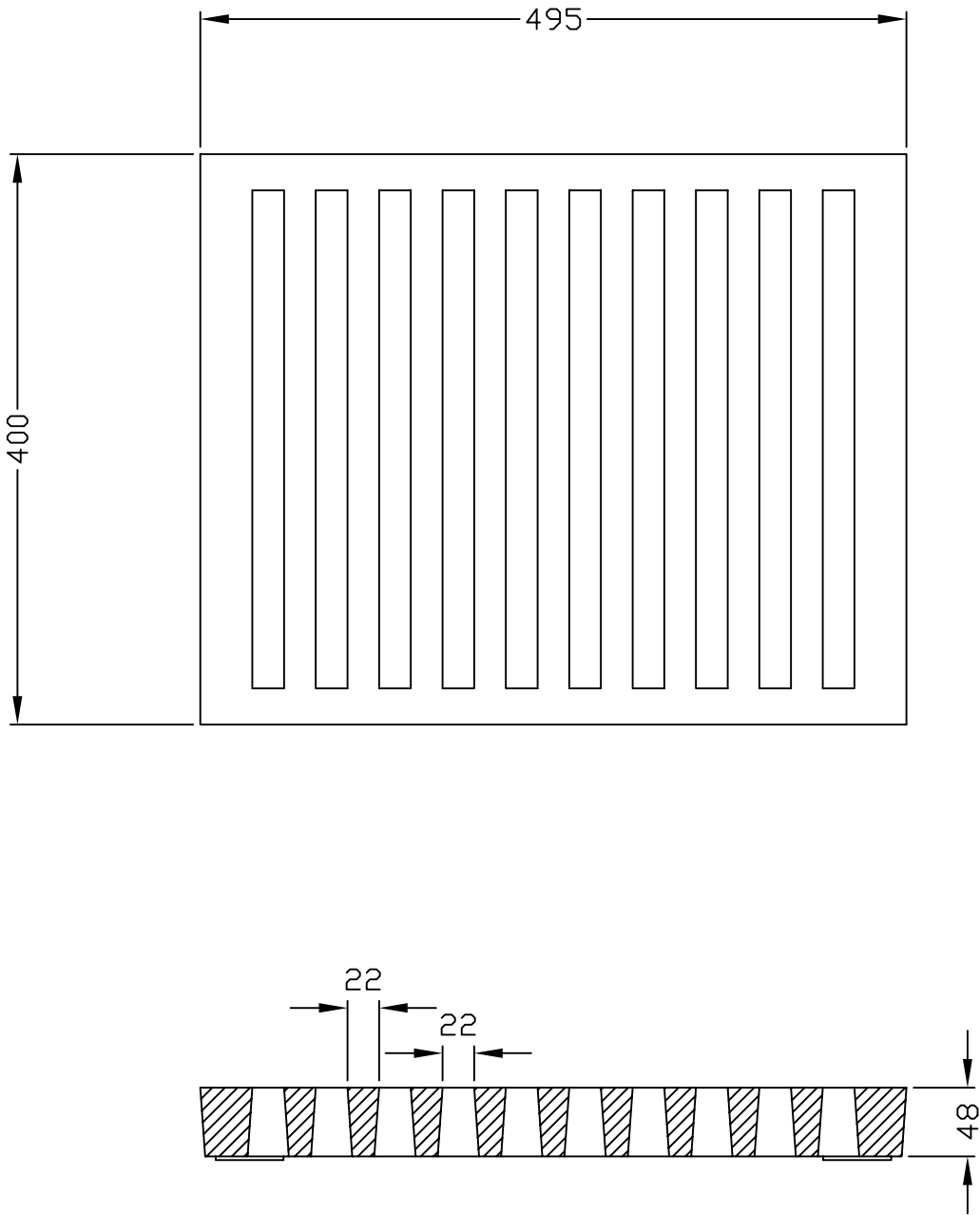


DOBNEY FOUNDRY LTD.
SURREY B.C.


RATING-HWY LOAD

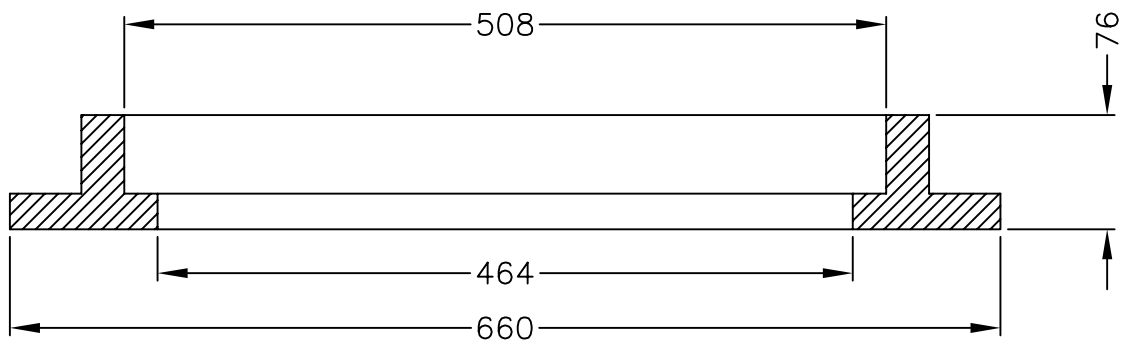
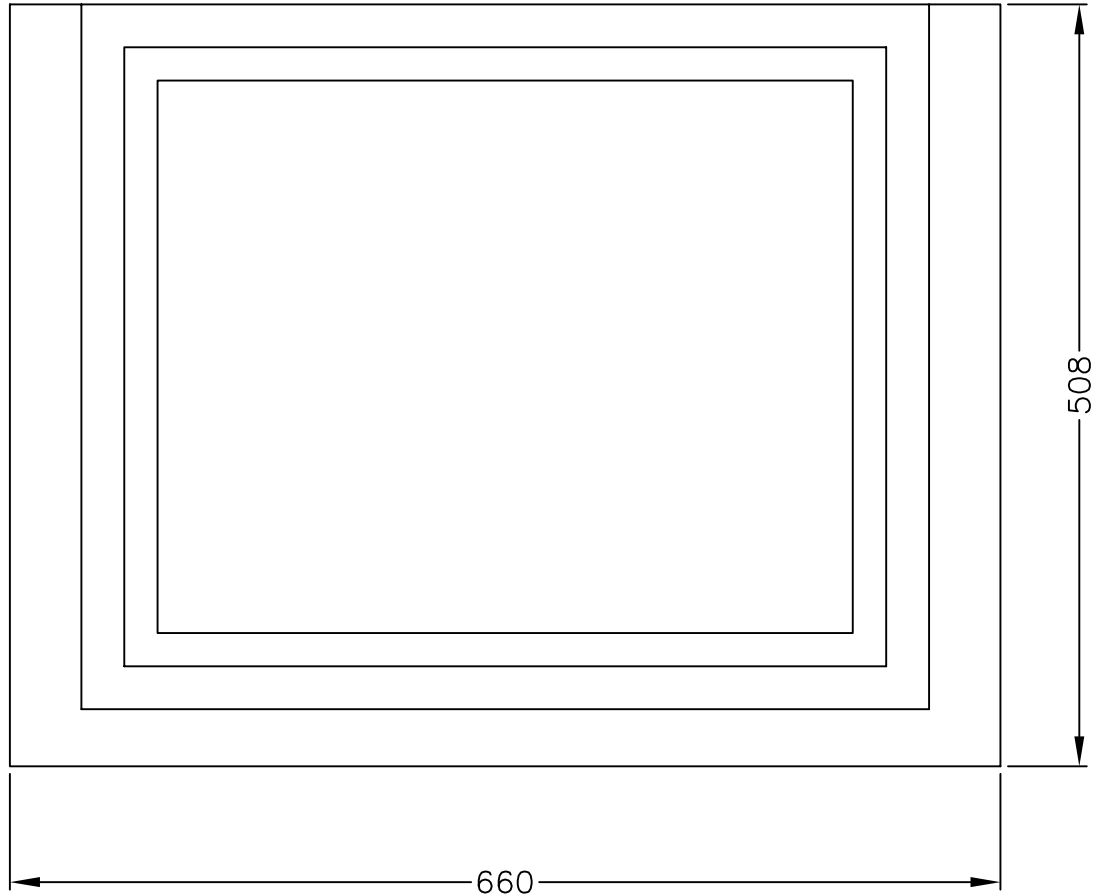
SOLID COVER

NO.
B-33R




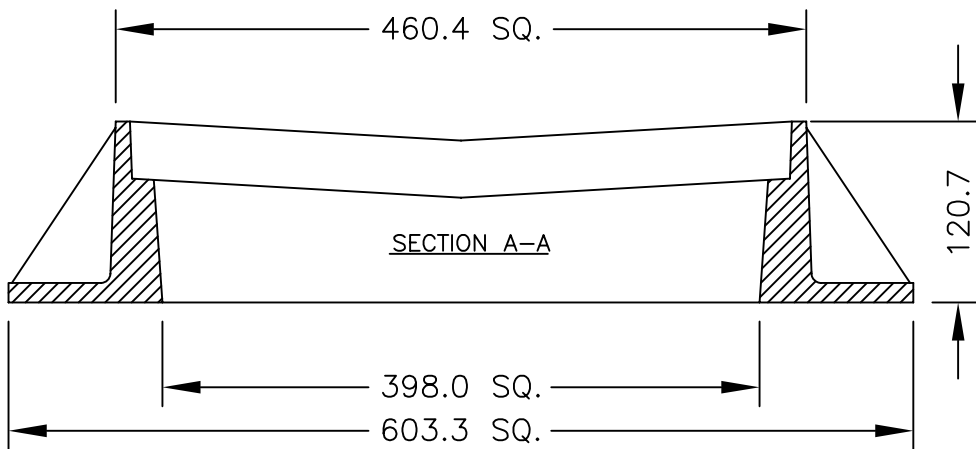
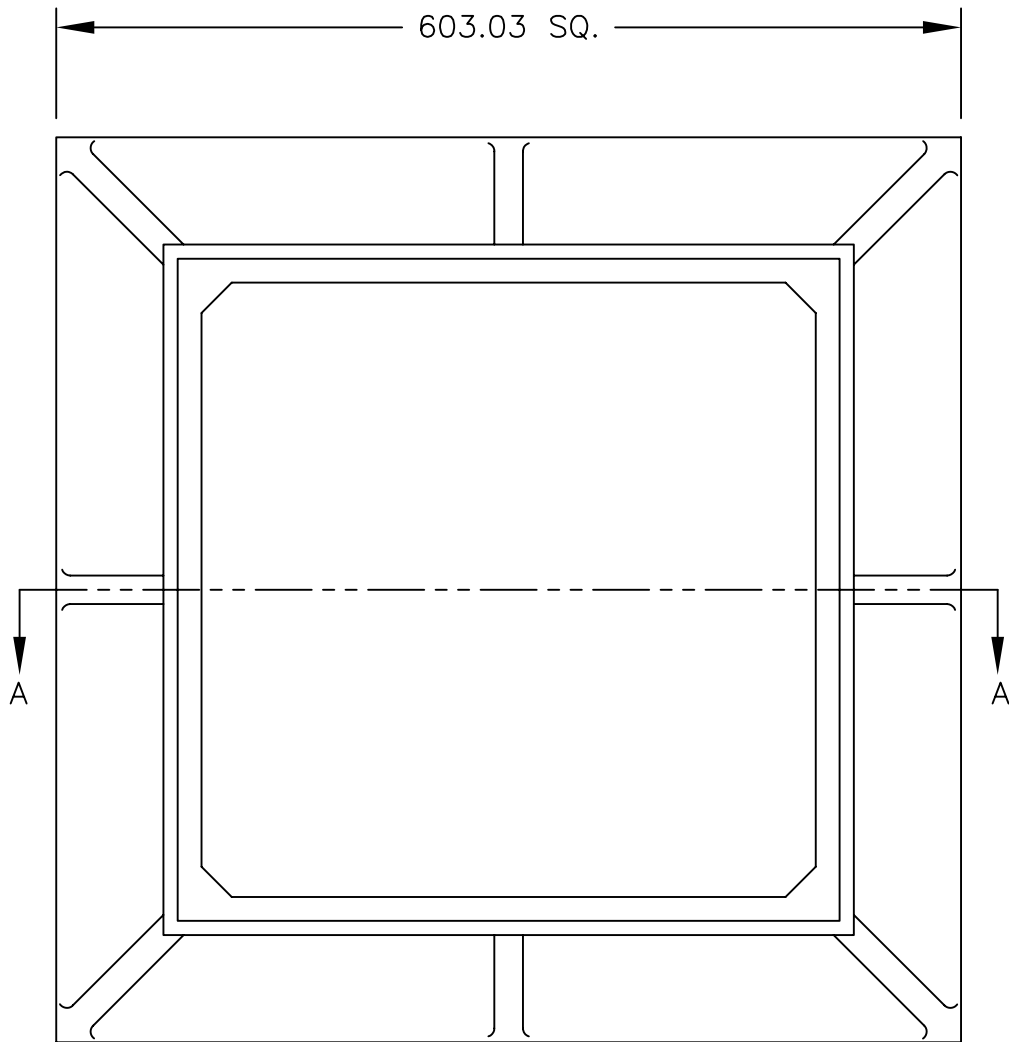
APPROX. WEIGHT
 GRATE - 33 KG

 DOBNEY FOUNDRY LTD. SURREY B.C.	
RATING-HWY LOAD	
GRATE	NO. B-37



APPROX. WEIGHT
FRAME — 53 KG

 DOBNEY FOUNDRY LTD. SURREY B.C.	
RATING—HWY LOAD	
FRAME	NO. B-37A



APPROX. WEIGHT
FRAME— 45 KG

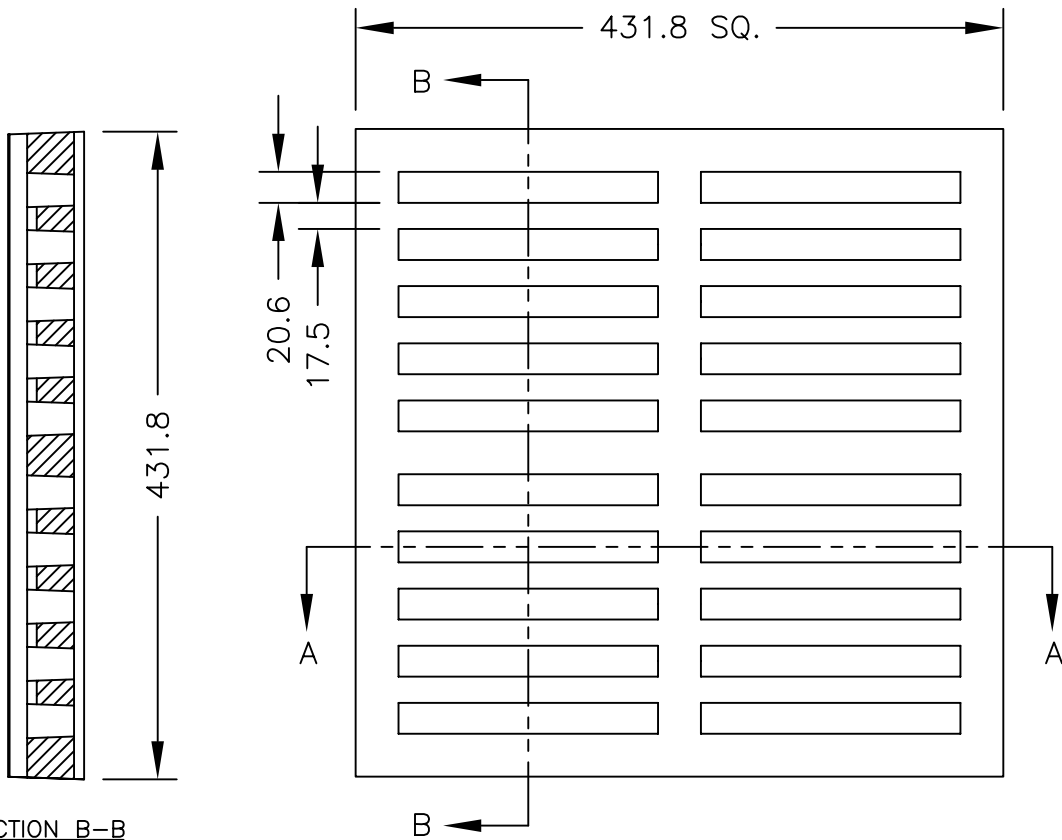


DOBNEY FOUNDRY LTD.
SURREY B.C.

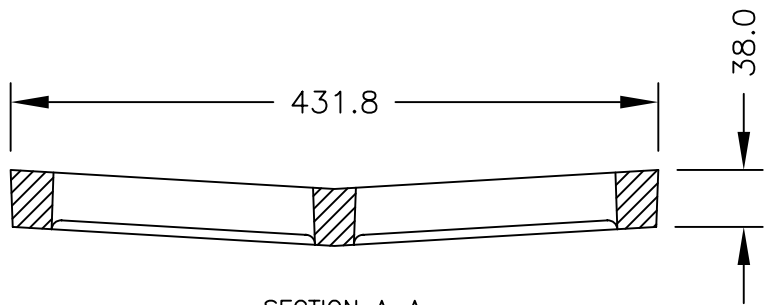
RATING—HWY LOAD

FRAME

NO.
B—38A




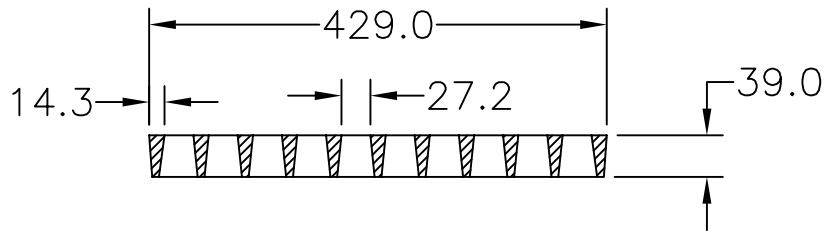
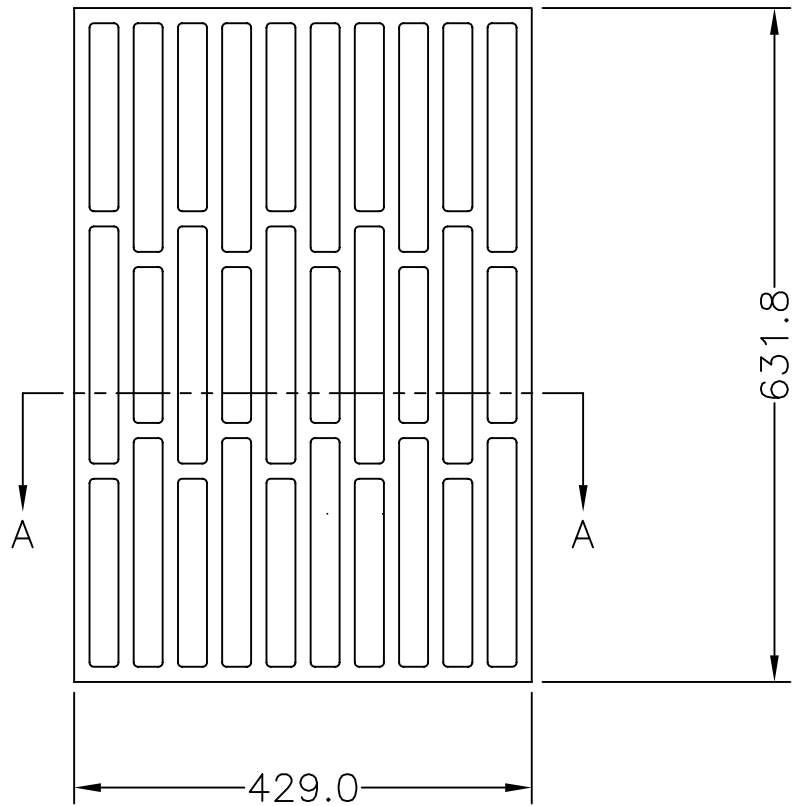
SECTION B-B



SECTION A-A

APPROX. WEIGHT
GRATE— 25 KG


 DOBNEY FOUNDRY LTD. SURREY B.C.	
RATING—HWY LOAD	
GRATE	NO. B-38A

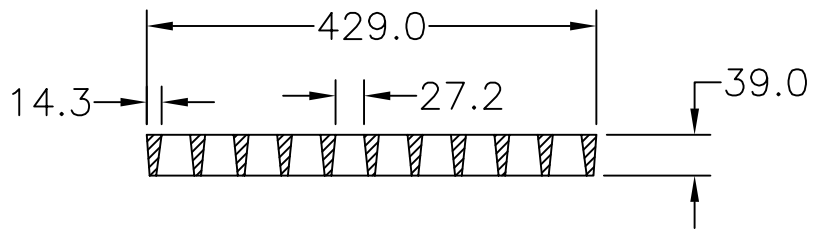
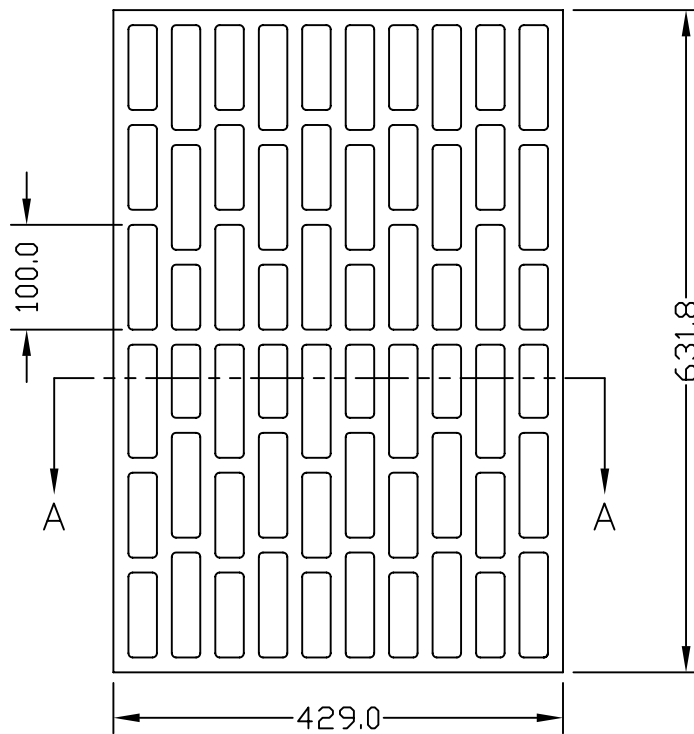


SECTION A-A

MATERIAL:
DUCTILE IRON

APPROX. WEIGHT
23 Kg


 DOBNEY FOUNDRY LTD. SURREY B.C.	
RATING-HWY LOAD	
432 x 635 CATCH BASIN GRATE	NO. B-39

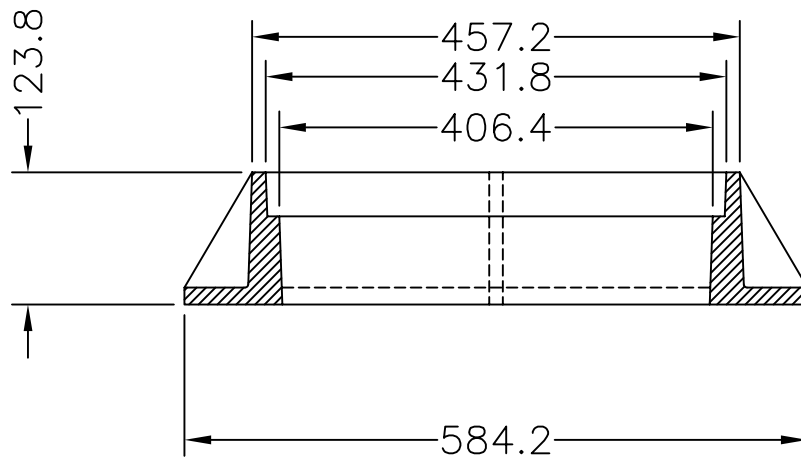
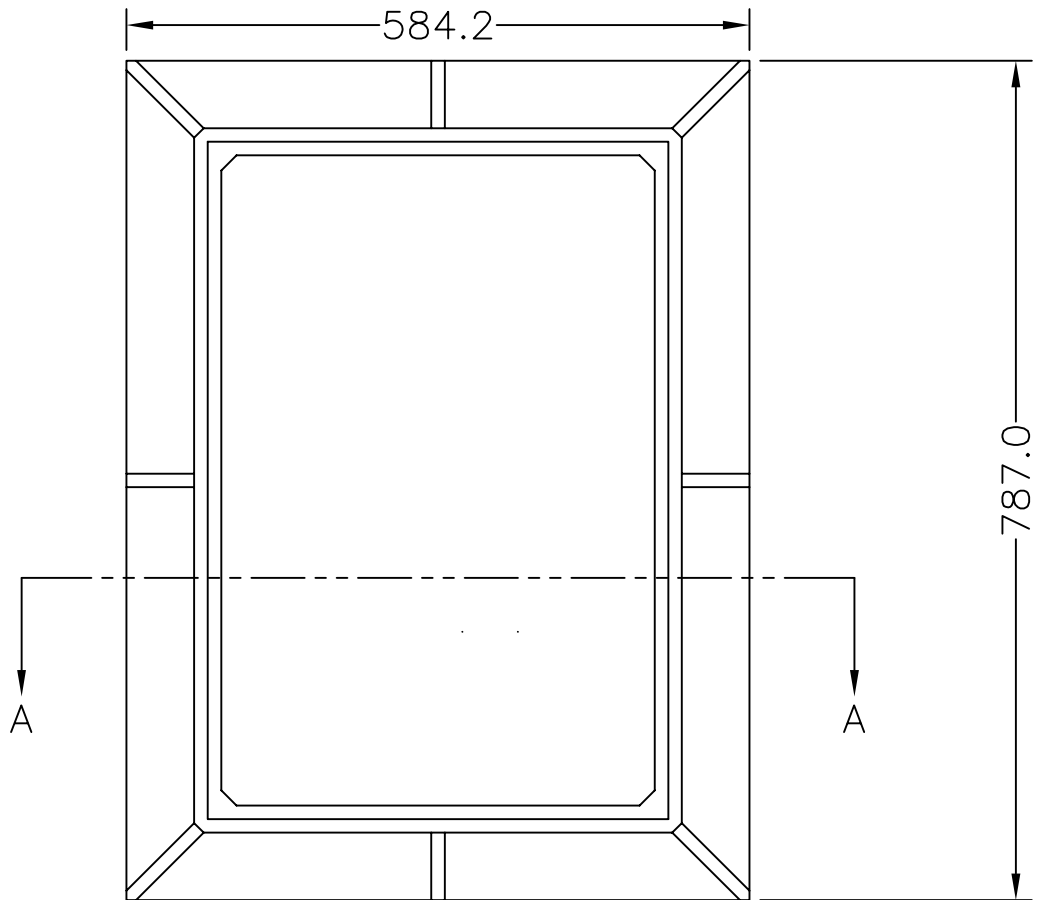


SECTION A-A

MATERIAL:
DUCTILE IRON

APPROX. WEIGHT
28 Kg


		DOBNEY FOUNDRY LTD. SURREY B.C.	
RATING-HWY LOAD			
432 x 635 MODIFIED GRATE		NO. B-39M	

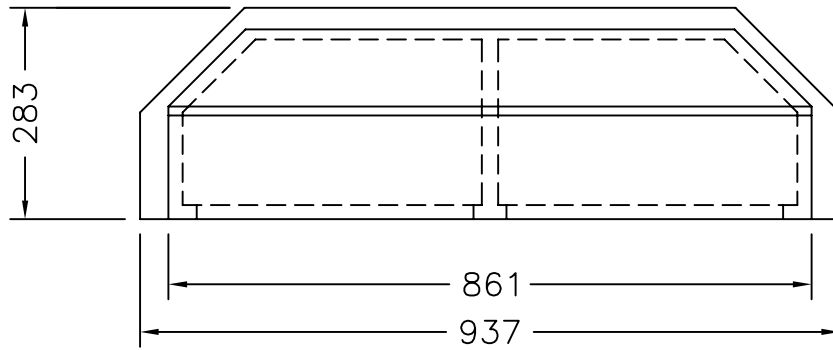


APPROX. WEIGHT
54 Kg

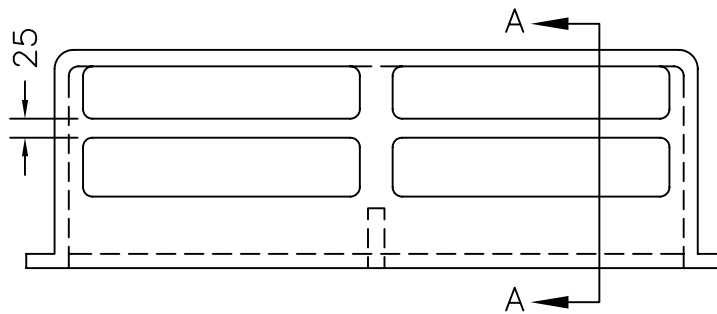
SECTION A-A

NOTES:
THIS CATCH BASIN
IS INTENDED FOR USE
WITH STORM SIDE INLET.

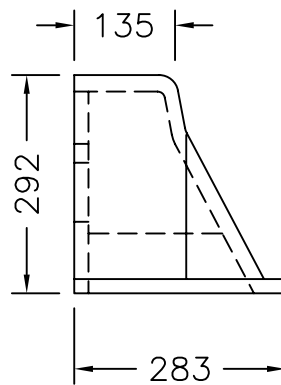
 DOBNEY FOUNDRY LTD. SURREY B.C.	
RATING-HWY LOAD	
432 x 635 CATCH BASIN FRAME	NO. B-39A



BOTTOM VIEW




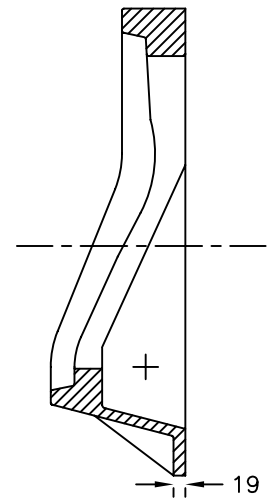
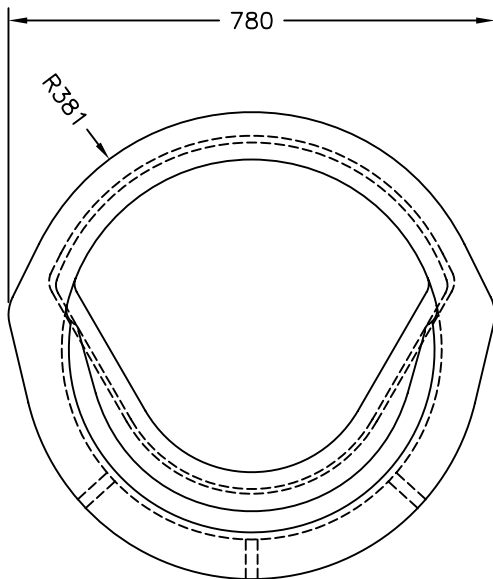
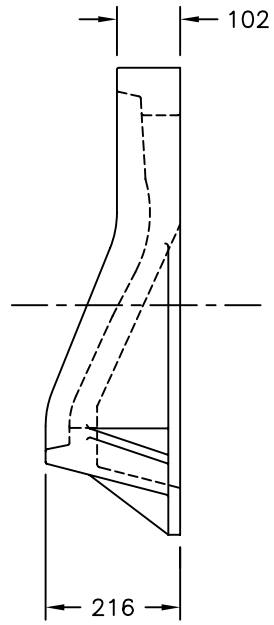
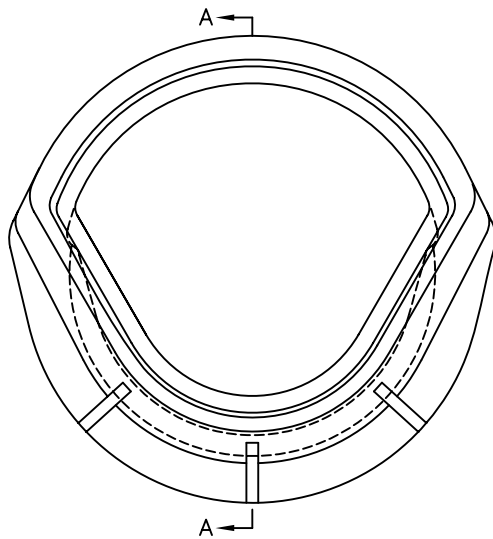
FRONT VIEW




END VIEW

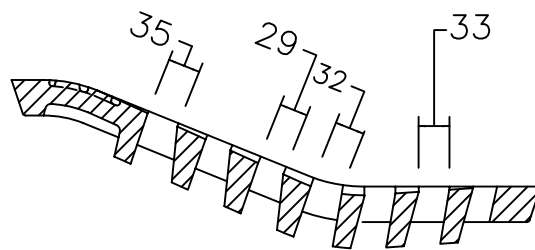
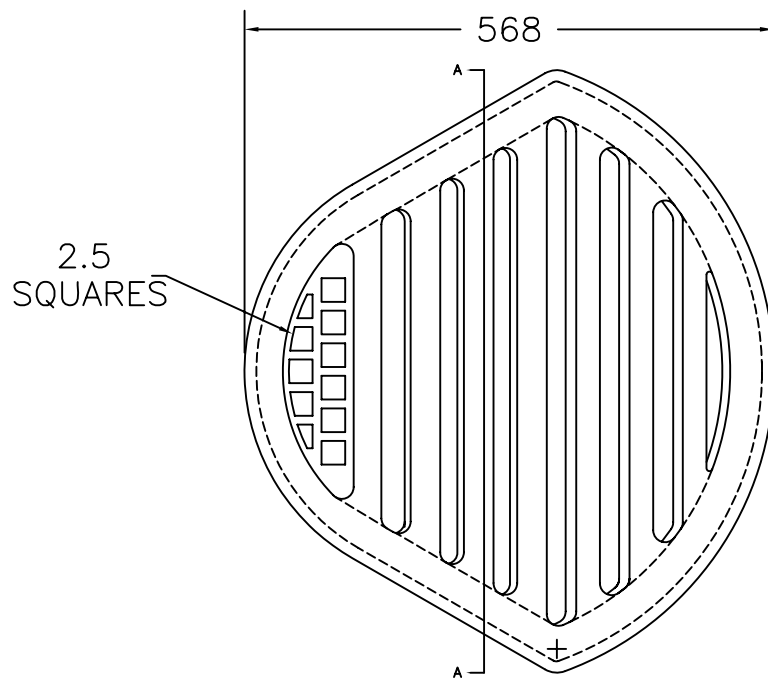
APPROX. WEIGHT = 73 Kg


 DOBNEY FOUNDRY LTD. SURREY B.C.	
RATING-HWY LOAD	
STORM SIDE INLET	NO. B-39B

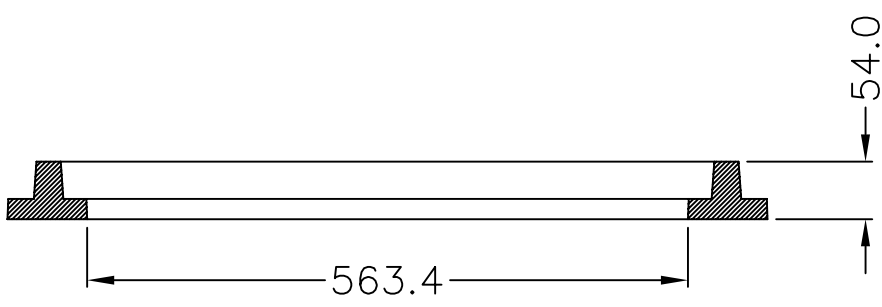
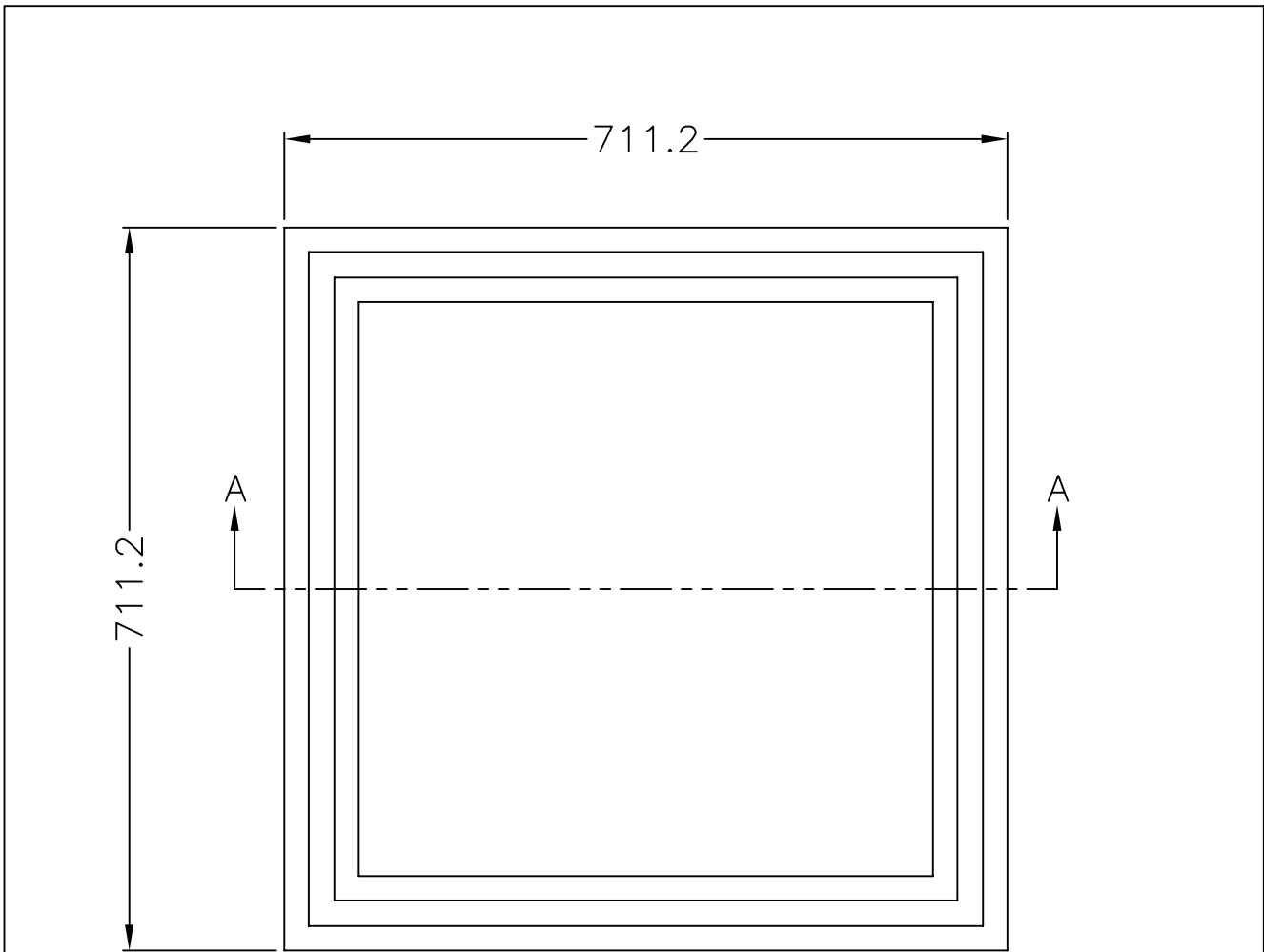



SECTION A-A

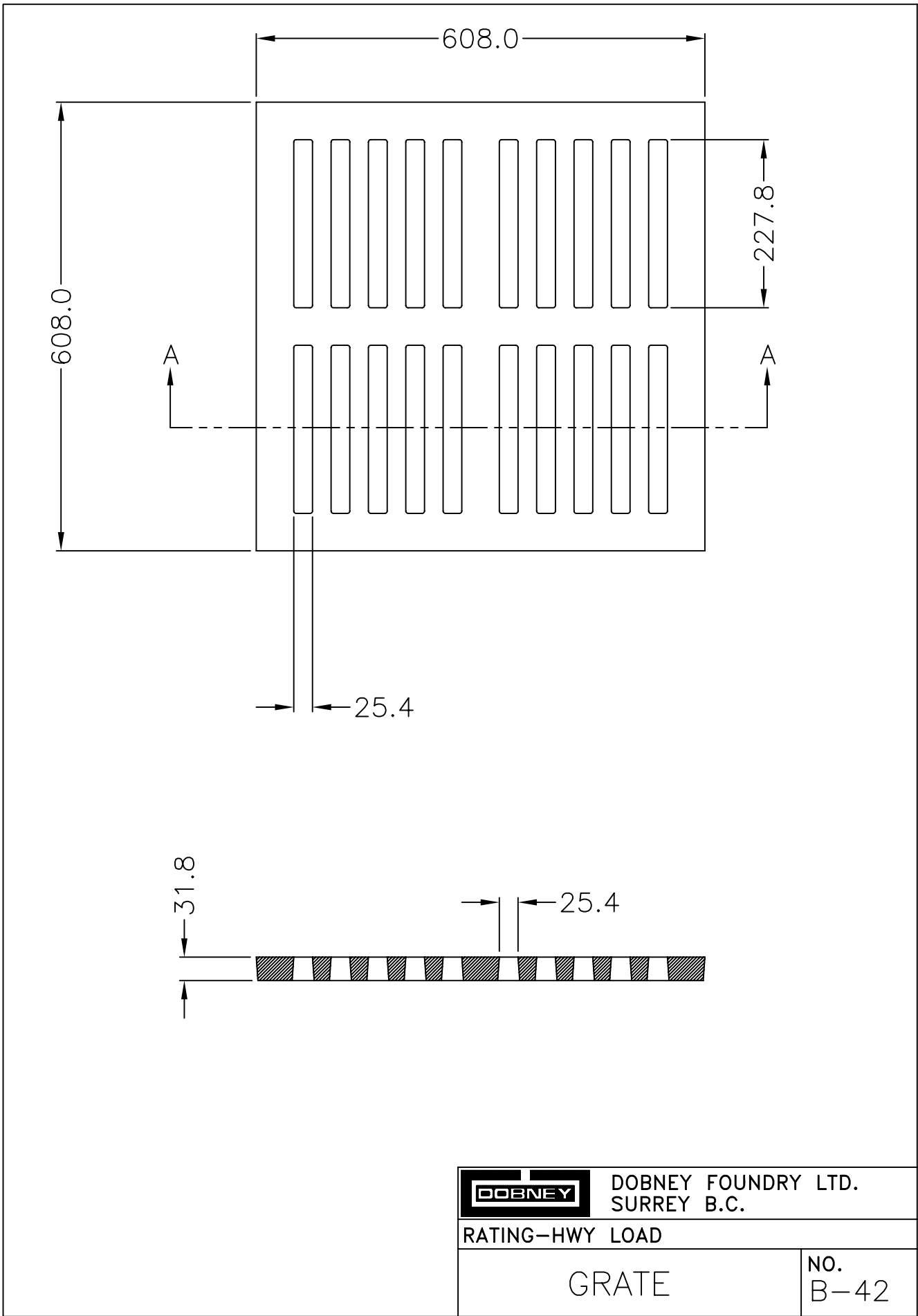
 DOBNEY FOUNDRY LTD. SURREY B.C.	
RATING-HWY LOAD	
ROLLED CURB	NO. B-40




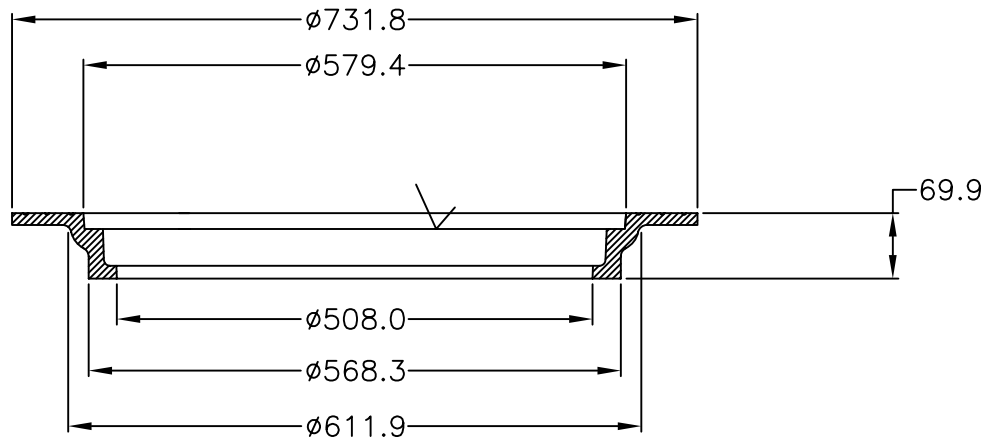
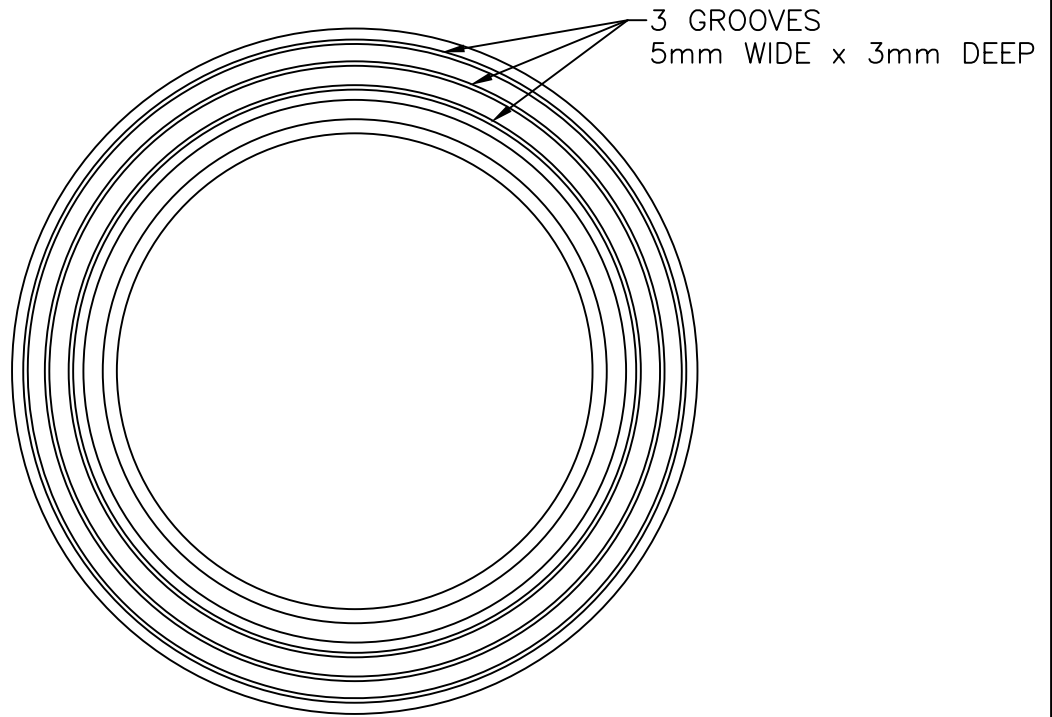
 DOBNEY FOUNDRY LTD. SURREY B.C.	
RATING-HWY LOAD	
ROLLED CURB	NO. B-40




 DOBNEY FOUNDRY LTD. SURREY B.C.	
RATING-HWY LOAD	
FRAME	NO. B-42

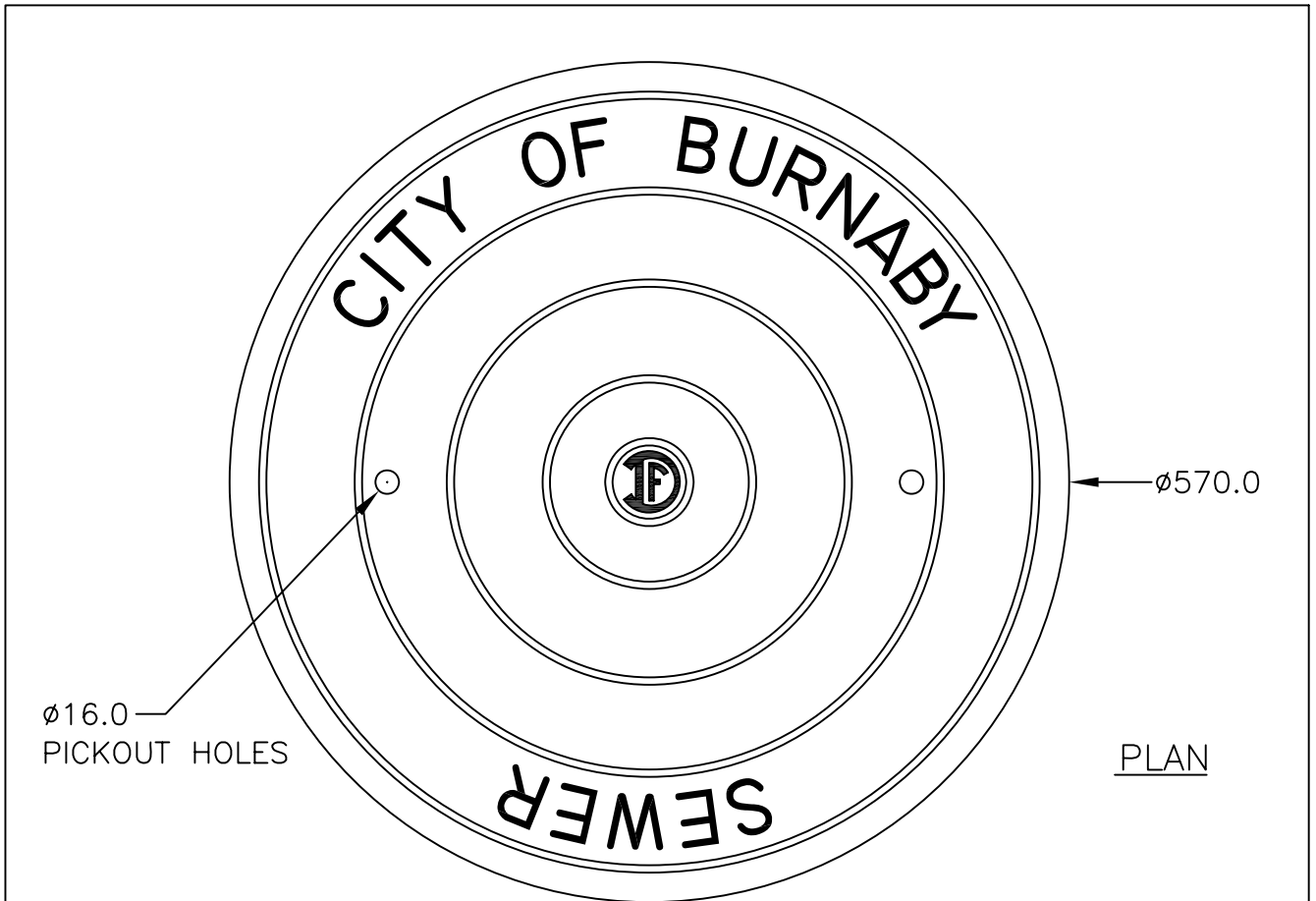


	DOBNEY FOUNDRY LTD. SURREY B.C.
RATING-HWY LOAD	
GRATE	NO. B-42



APPROX WEIGHT
FRAME - 73Lbs.

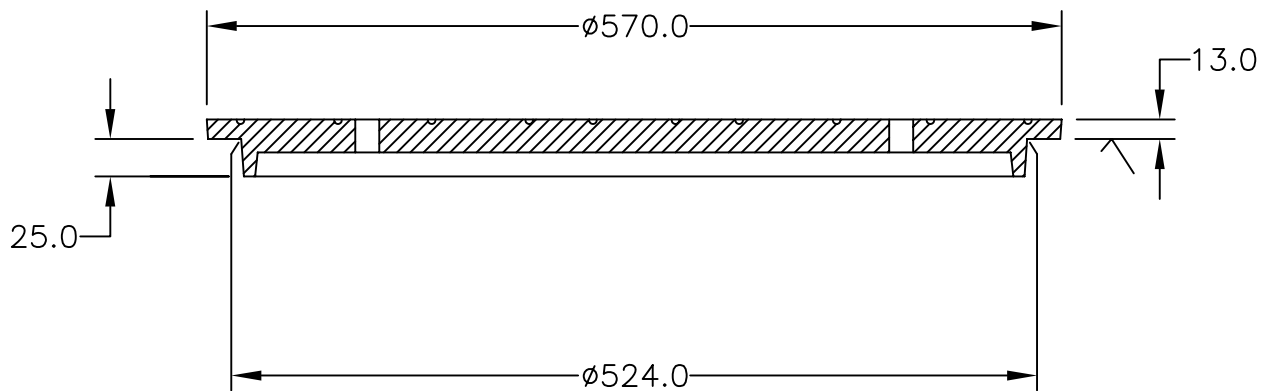
 DOBNEY FOUNDRY LTD. SURREY B.C.	
RATING-	
LIGHTWEIGHT FRAME	NO. C-6




Ø16.0
PICKOUT HOLES

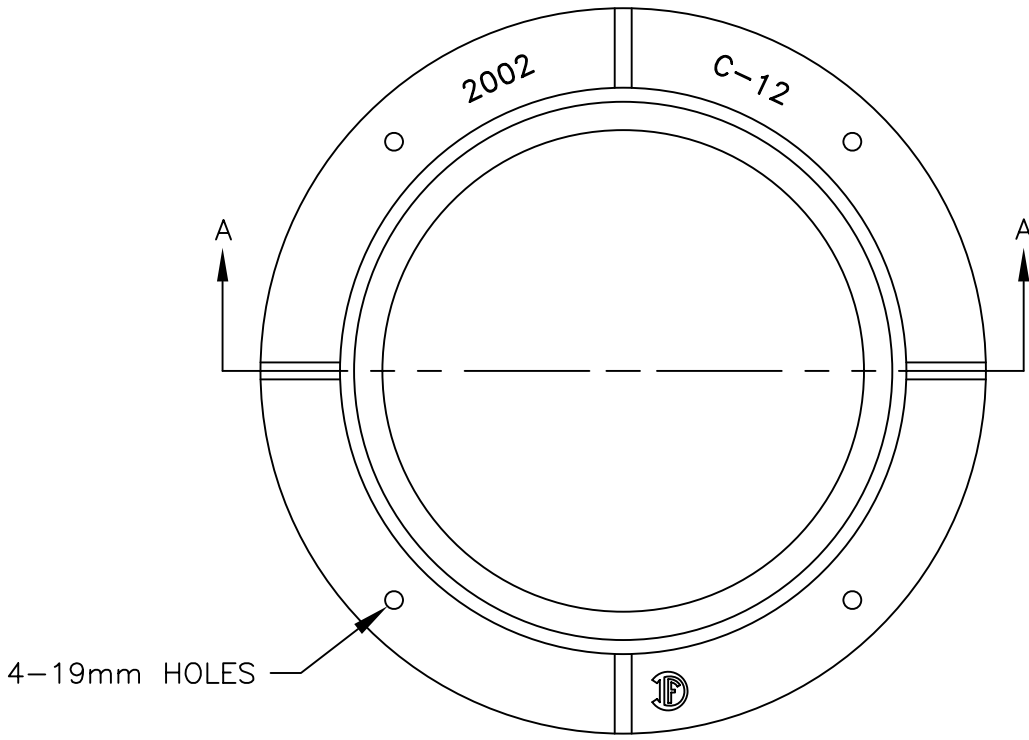
Ø570.0

PLAN



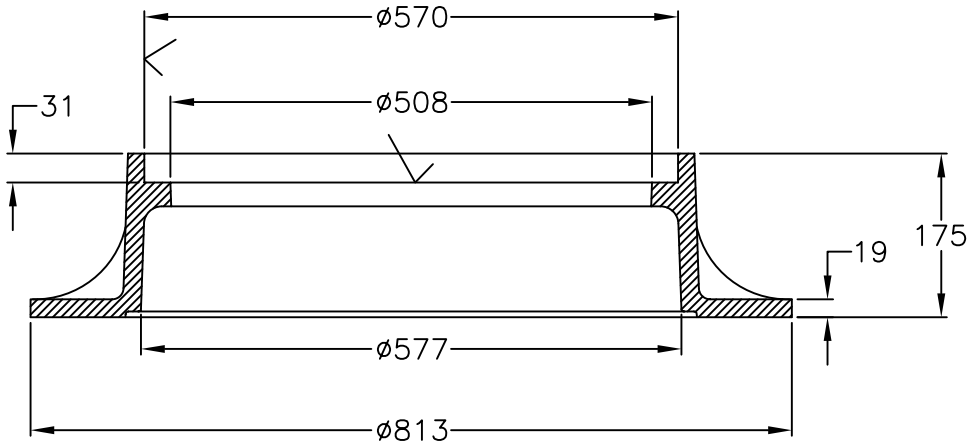
APPROX. WEIGHT
FRAME— 79Lbs

 DOBNEY FOUNDRY LTD. SURREY B.C.	
RATING—	
COVER	NO. C-6A




4-19mm HOLES

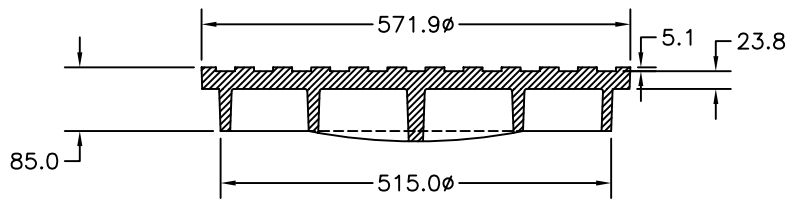
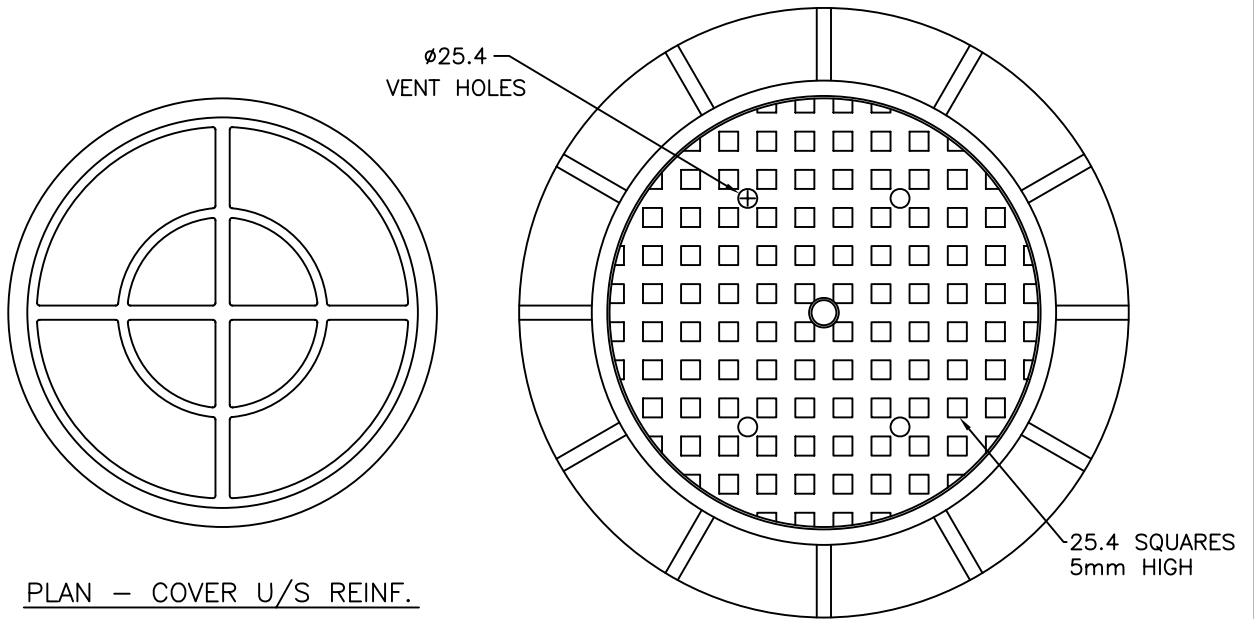
PLAN



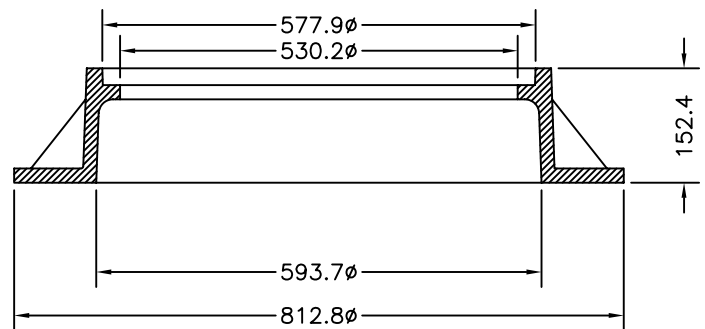
SECTION A-A

APPROX. WEIGHT
 FRAME - 78Kg
 USES C-20 COVER

 DOBNEY FOUNDRY LTD. SURREY B.C.	
RATING-HWY LOAD	
MANHOLE FRAME	NO. C-12

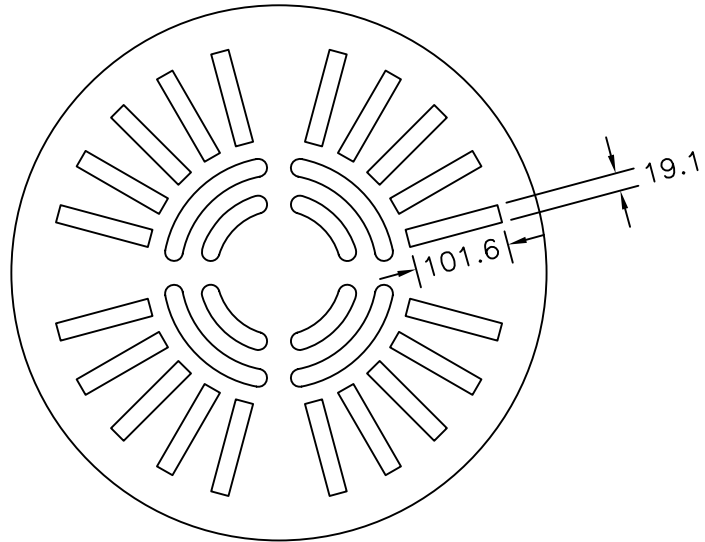


NOTES:
ALL METAL BEARING SURFACES BETWEEN
FRAME AND COVER MACHINED TO ENSURE
GOOD SEATING

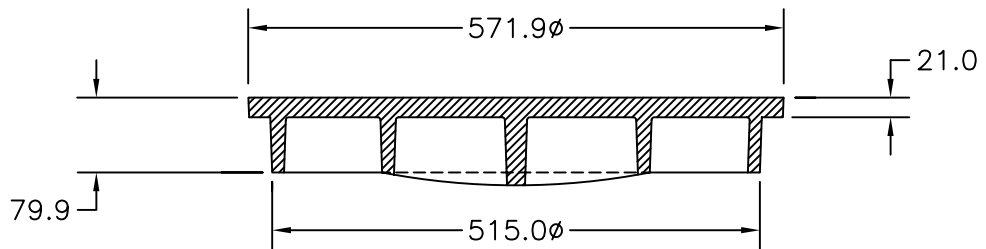


APPROX WEIGHT
COVER - 65 KG.
FRAME - 75 KG.


DOBNEY	DOBNEY FOUNDRY LTD. SURREY B.C.	
	RATING-HWY LOAD	
MANHOLE FRAME & COVER	NO.	C-17

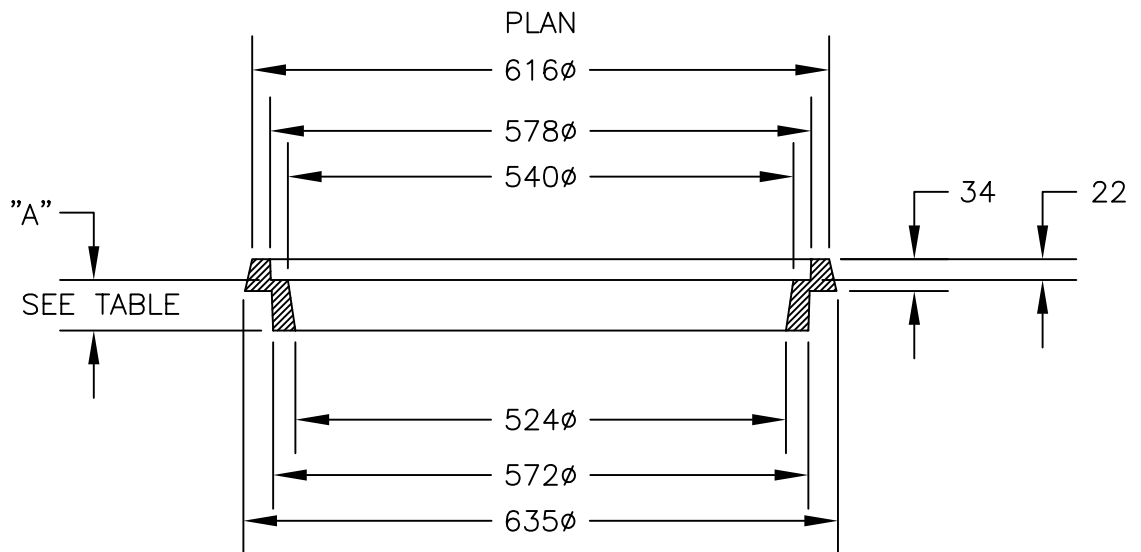
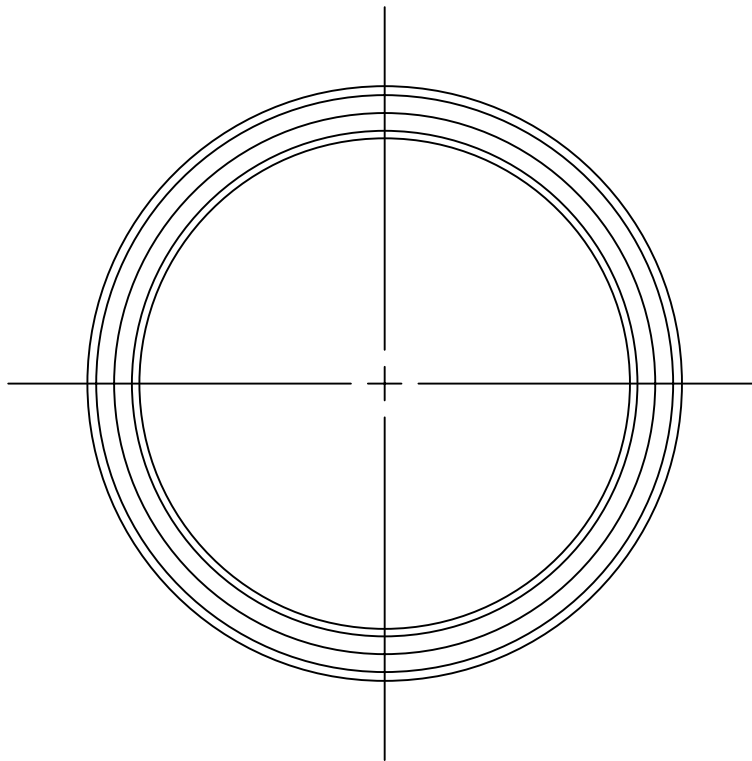


PLAN - COVER



APPROX WEIGHT
COVER - 50 KG

 DOBNEY FOUNDRY LTD. SURREY B.C.	
RATING- HWY LOAD	
MANHOLE GRATE	NO. C-17



MANHOLE EXTENSION RINGS TABLE	
DIM "A"	WEIGHT
38.1	17 Kg
50.8	21kG
63.5	25Kg
76.2	29Kg
101.6	32Kg

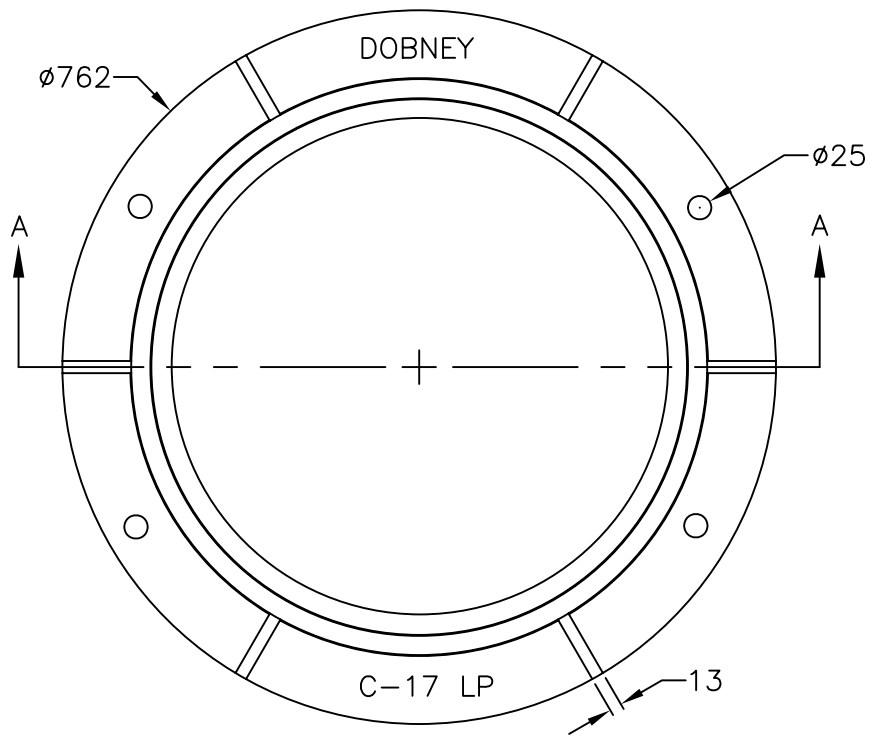


DOBNEY FOUNDRY LTD.
SURREY B.C.

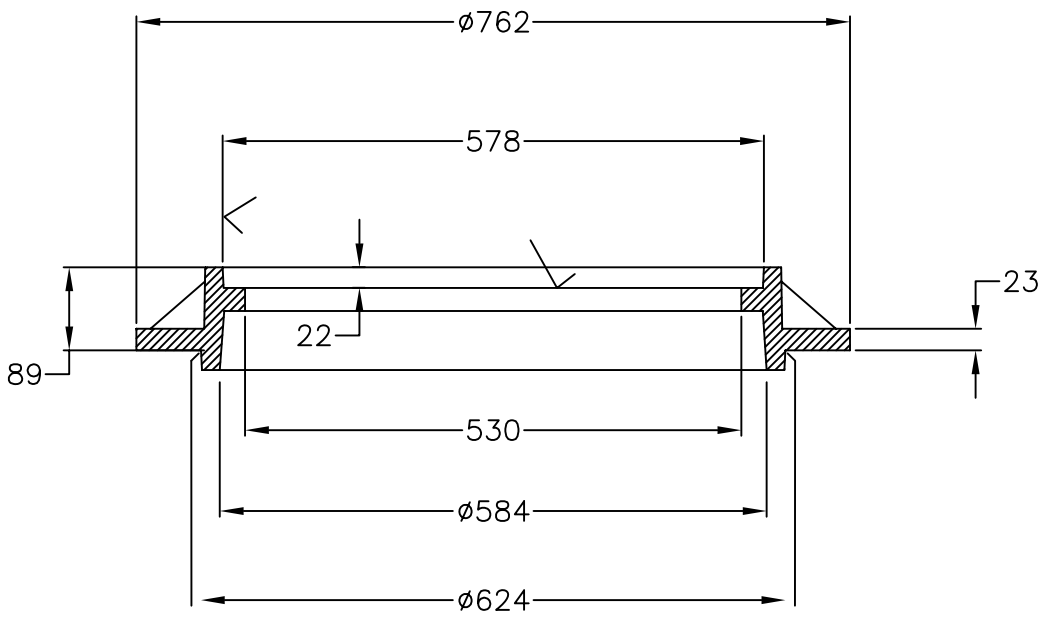
RATING-HWY LOAD

RISER RING

NO.
C-17C




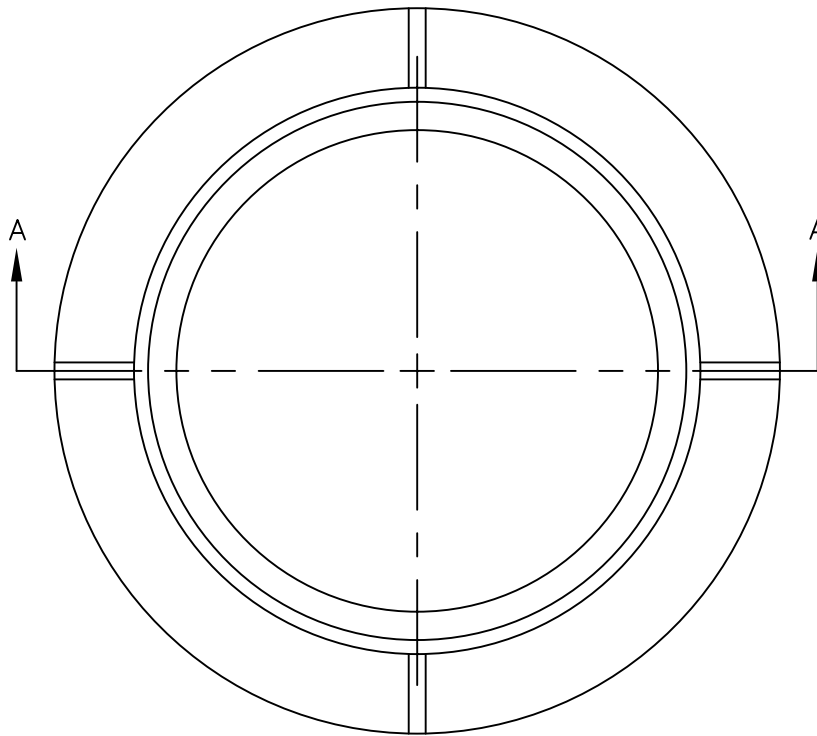
PLAN



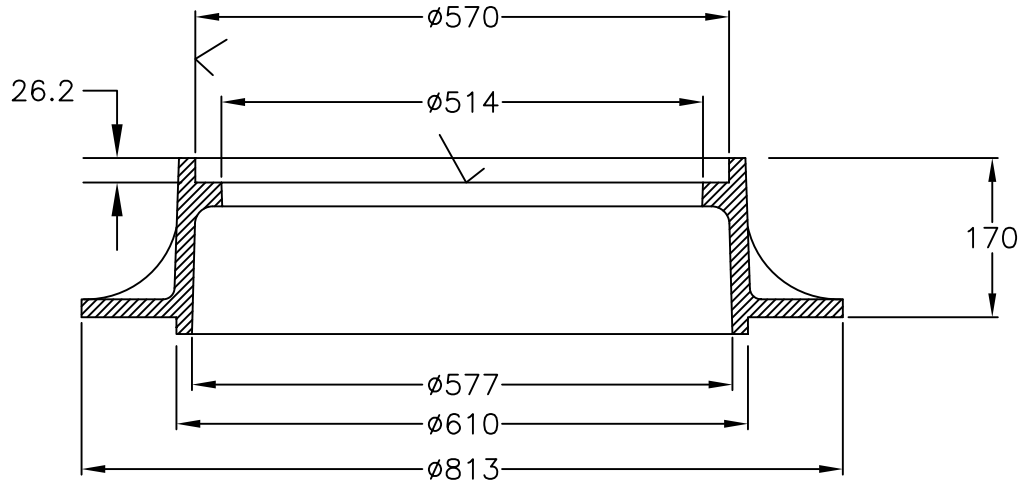
SECTION A-A

APPROX. WEIGHT
 FRAME - 65KG

 DOBNEY FOUNDRY LTD. SURREY B.C.	
RATING-HWY LOAD	
MANHOLE FRAME	NO. C-17LP



PLAN



SECTION A-A

DEPT. OF HIGHWAYS MANHOLE FRAME

APPROX. WEIGHT

FRAME - 90 Kg

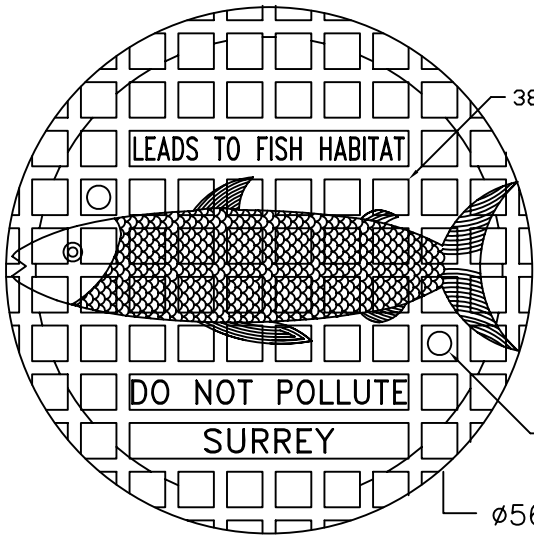


DOBNEY FOUNDRY LTD.
SURREY B.C.

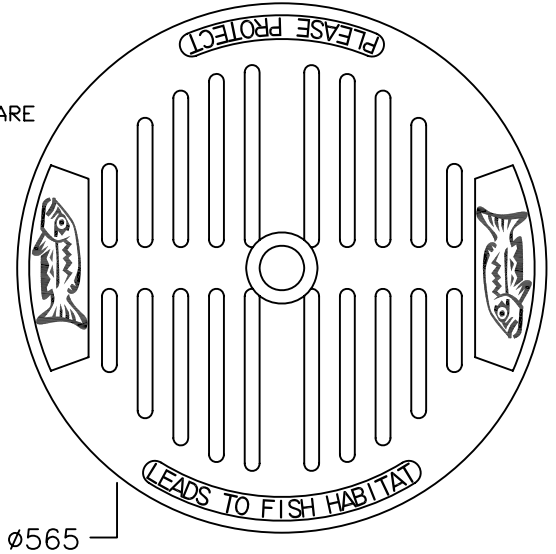
RATING-HWY LOAD

ASSOCIATED FRAME

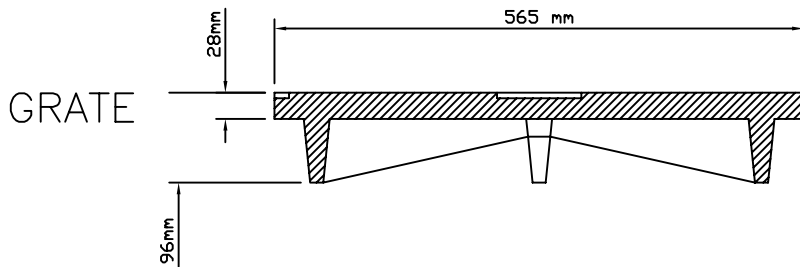
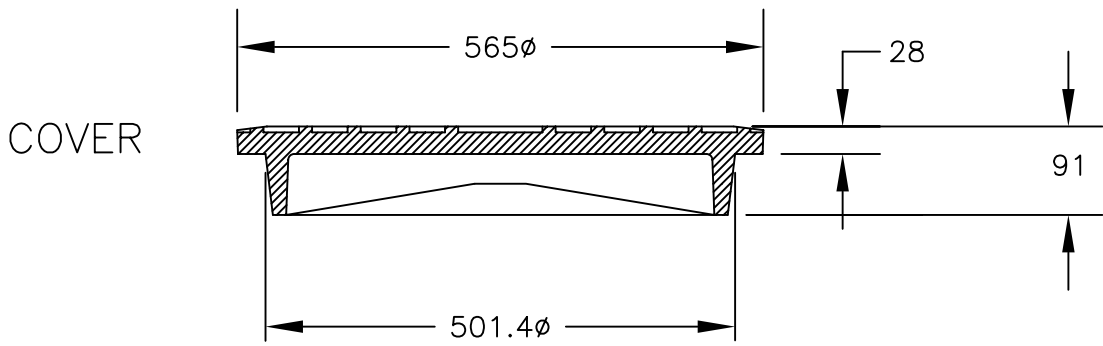
NO.
C-18 ASSC.



PLAN - COVER




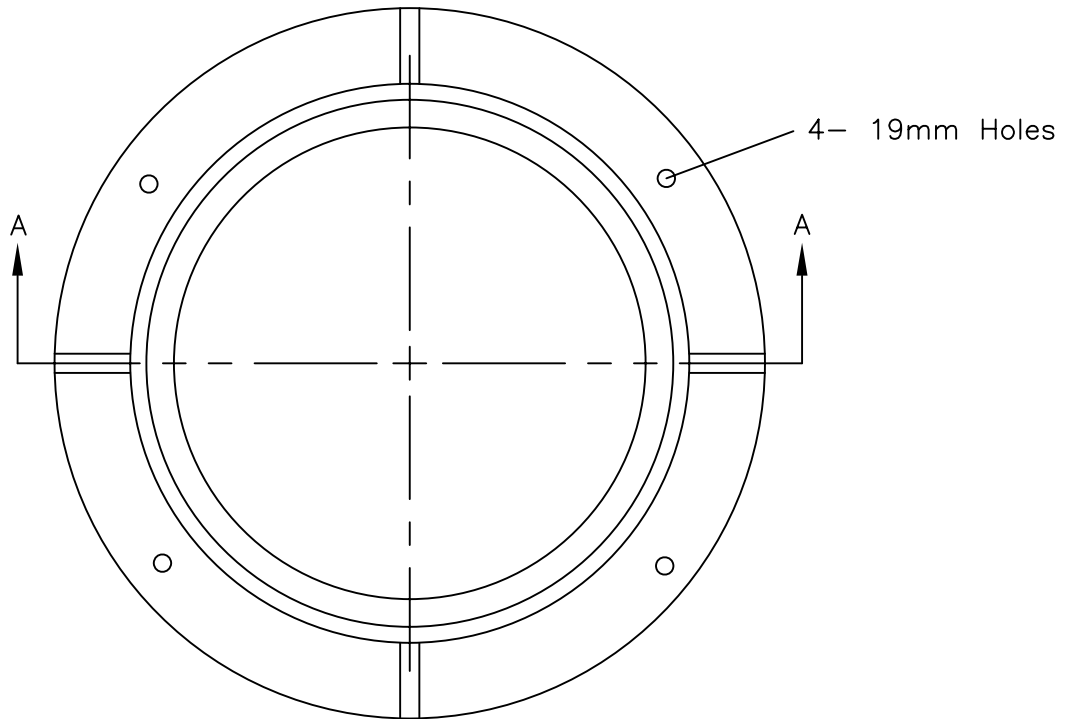
PLAN - GRATE



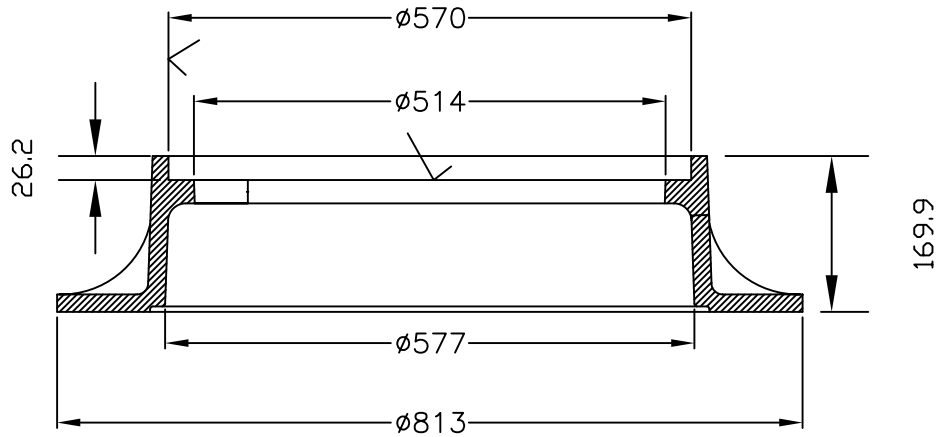
APPROX. WEIGHT

COVER - 63 Kg
 GRATE - 50 Kg

 DOBNEY FOUNDRY LTD. SURREY B.C.	
RATING-HWY LOAD	
COVER and GRATE	NO. C-18




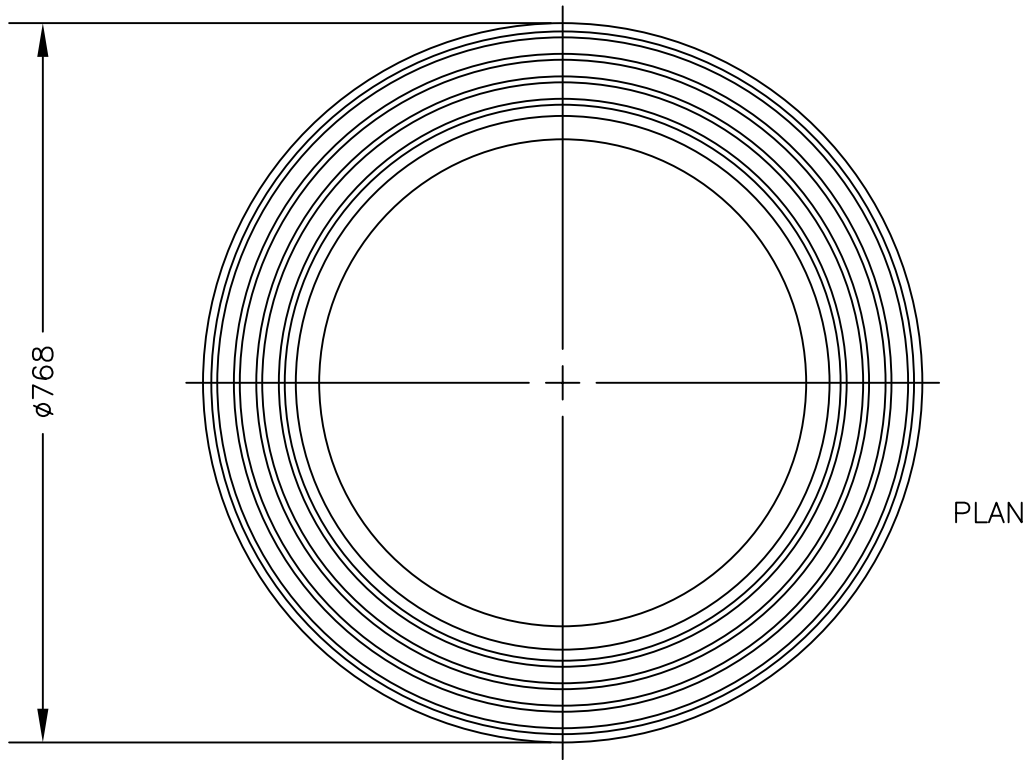
PLAN



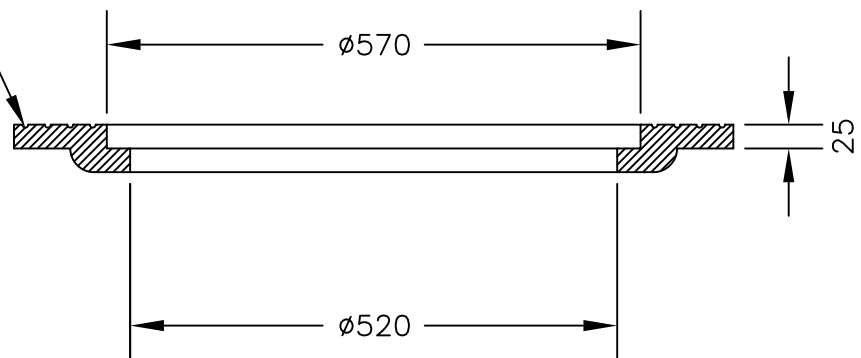
SECTION A-A

APPROX. WEIGHT
 FRAME - 78 Kg

 DOBNEY FOUNDRY LTD. SURREY B.C.	
RATING-HWY LOAD	
MANHOLE FRAME	NO. C-18



7mm WIDE x 4mm DEEP
GROOVES



APPROX. WEIGHT
FRAME - 67 Kg

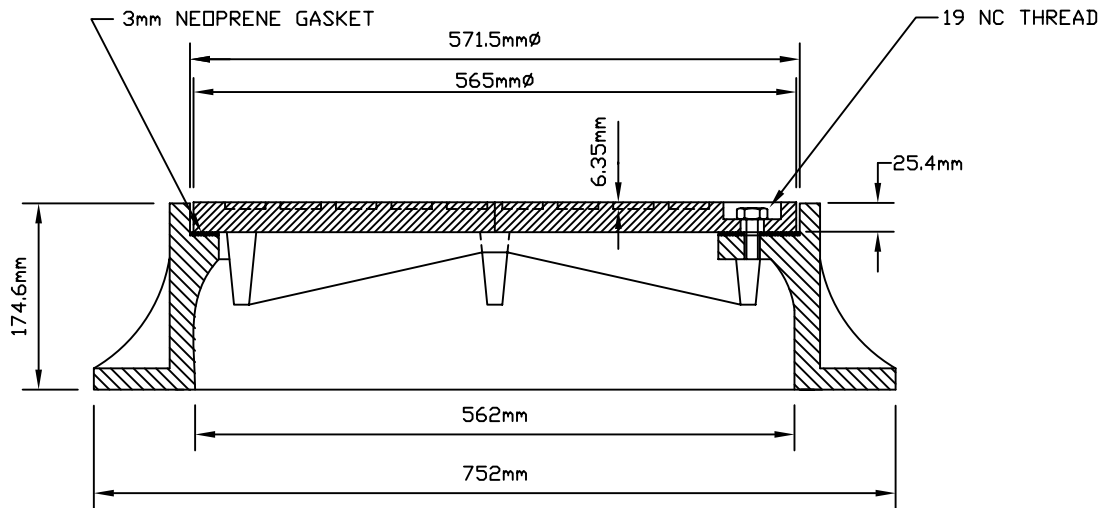
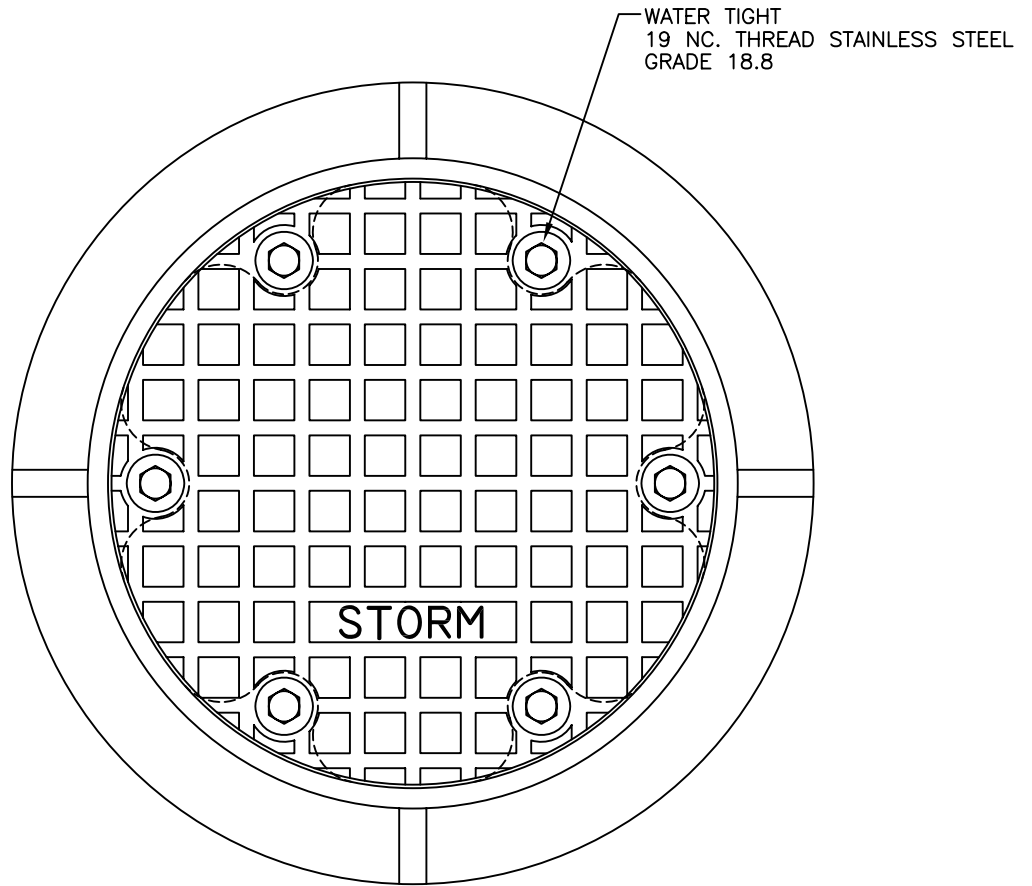


DOBNEY FOUNDRY LTD.
SURREY B.C.


RATING-HWY LOAD

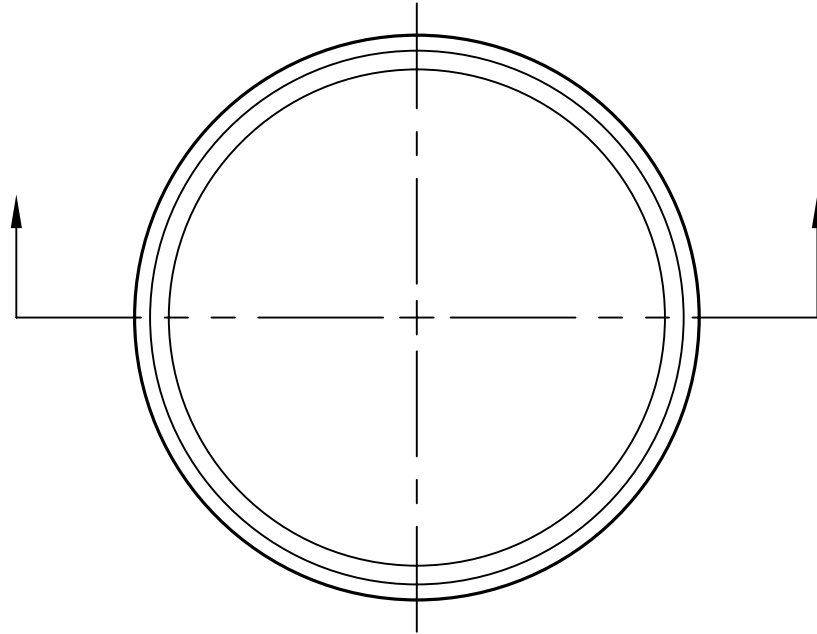
FRAME

NO.
C-18A

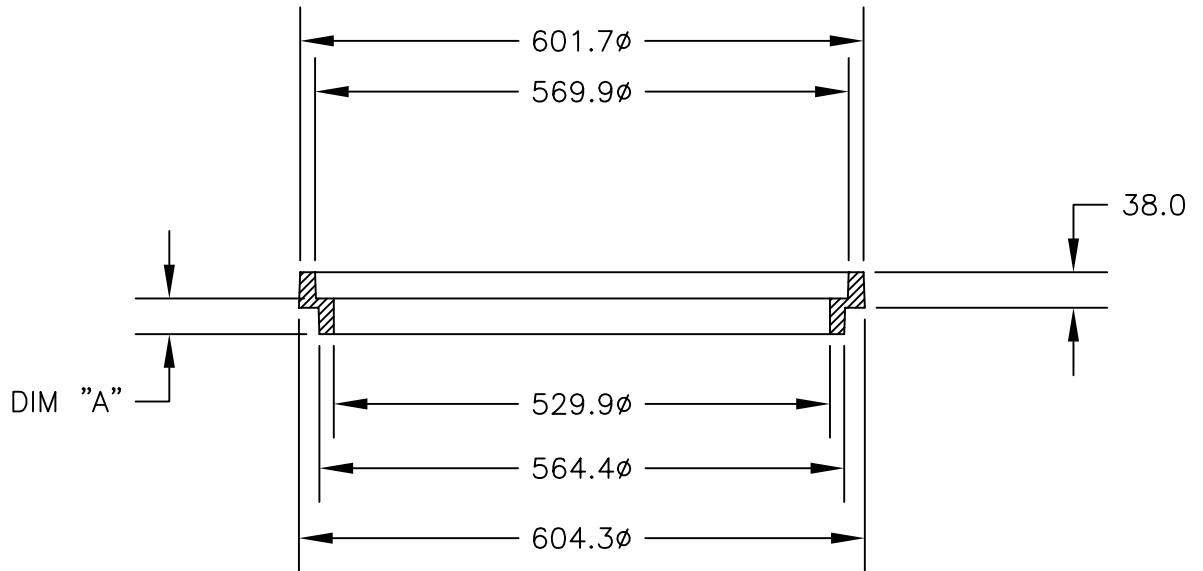


APPROX. WEIGHT
 COVER — 66 Kg
 FRAME — 109 Kg

 DOBNEY FOUNDRY LTD. SURREY B.C.	
RATING—HWY LOAD	
WATERTIGHT	NO. C—18B



PLAN



SECTION A-A

MANHOLE DETAIL	
DIM "A"	WEIGHT
38	19 Kg
51	25 Kg
63	32 Kg
76	40 Kg
89	45 Kg
101	50 Kg
114	53 Kg
127	57 Kg

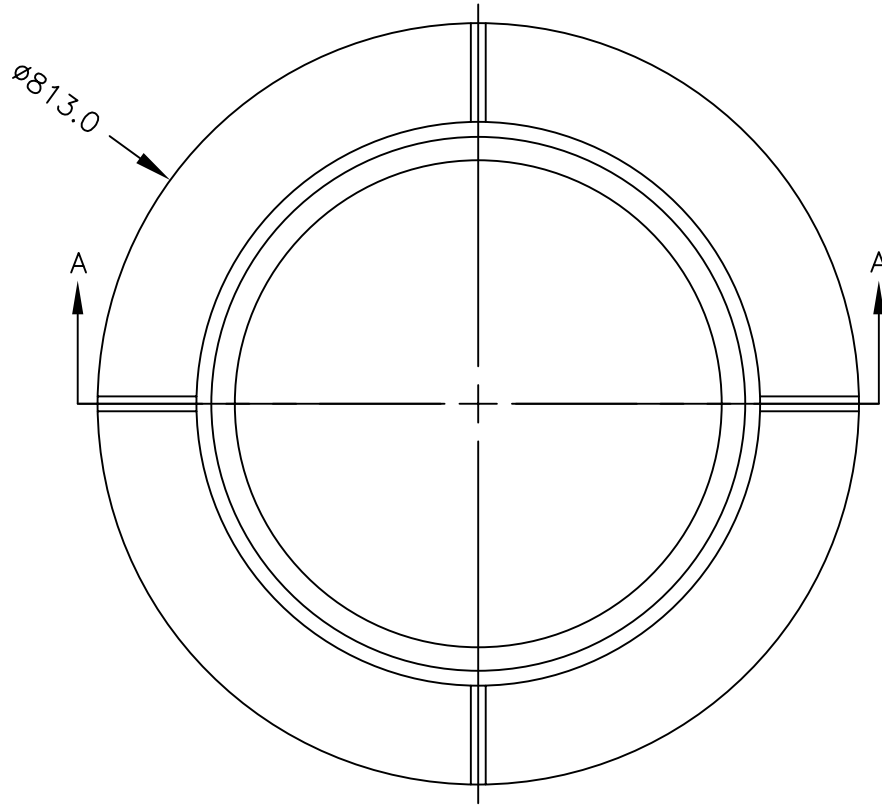


DOBNEY FOUNDRY LTD.
SURREY B.C.

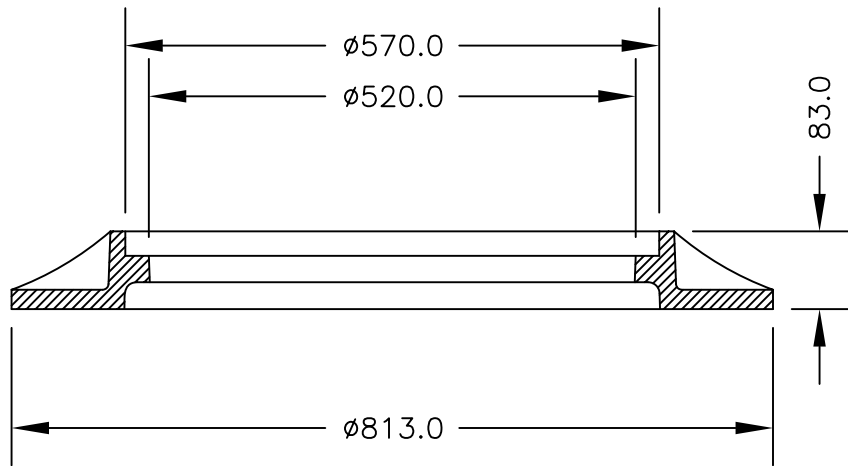
RATING-HWY LOAD

RISER RING

NO.
C-18C



PLAN



SECTION A-A

APPROX. WEIGHT

FRAME - 63 KG

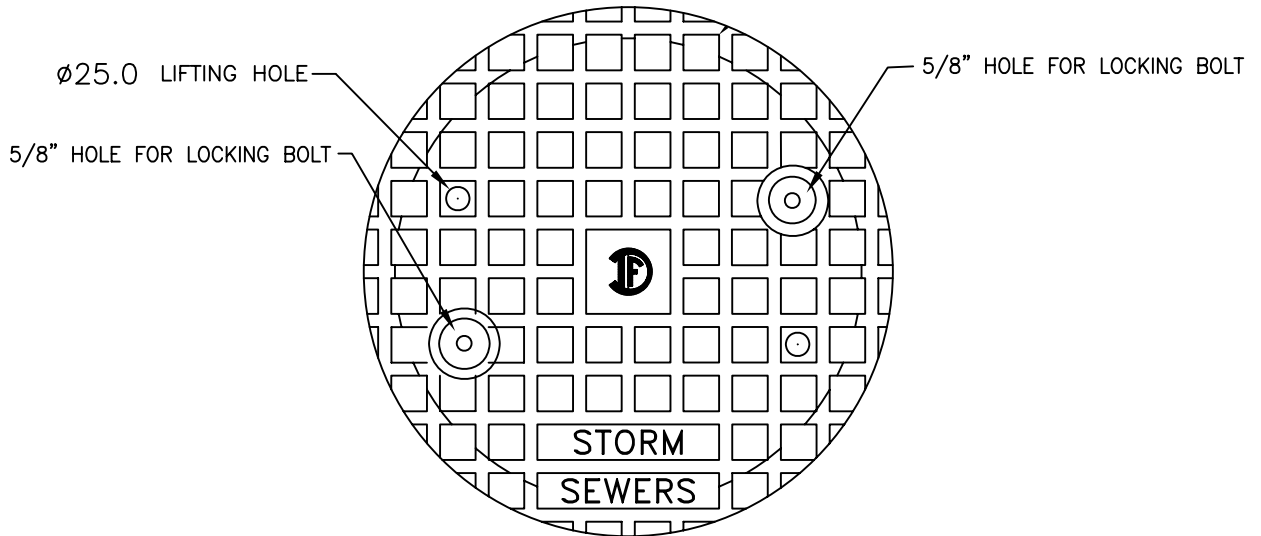


DOBNEY FOUNDRY LTD.
SURREY B.C.

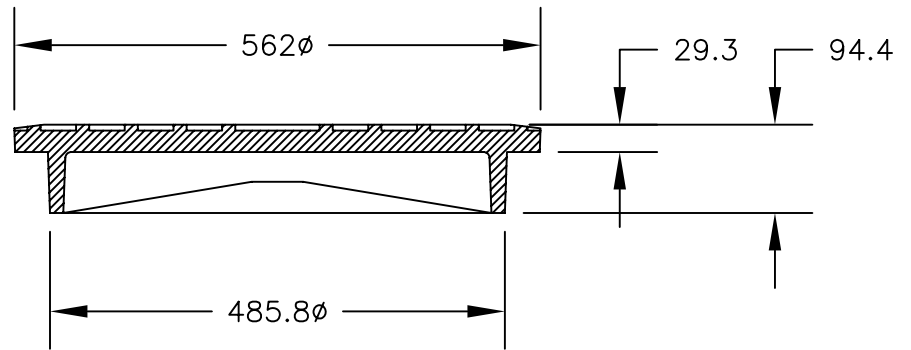
RATING-HWY LOAD

MANHOLE FRAME

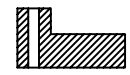
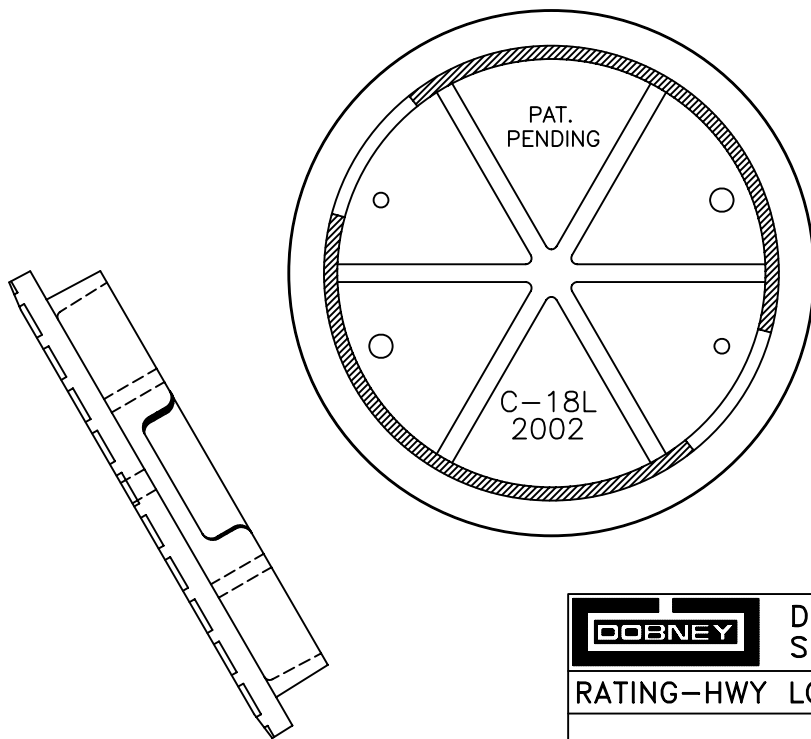
NO.
C-18D



PLAN - COVER



PAT. PENDING



BRASS TAB
5/8" NC THREAD

APPROX. WEIGHT
GRATE - 62.5 Kg

PLAN - COVER U/S REINF.

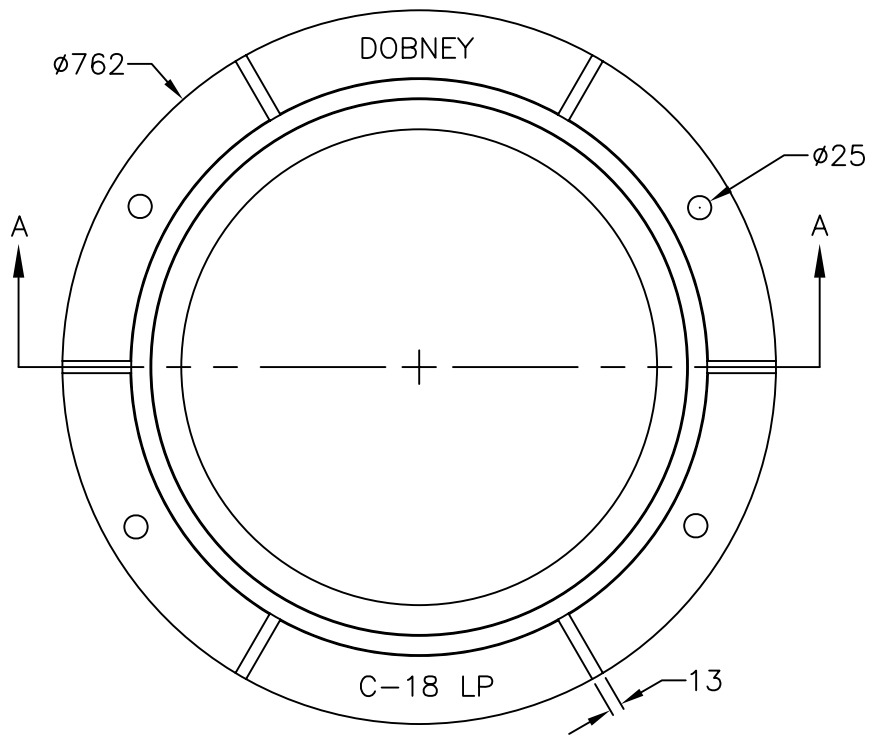


DOBNEY FOUNDRY LTD.
SURREY B.C.

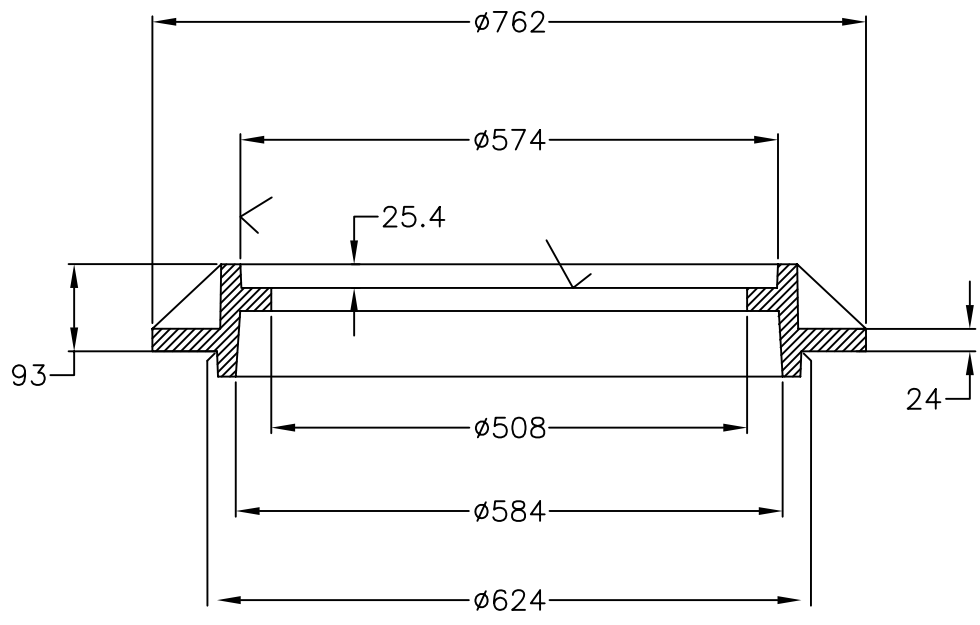
RATING-HWY LOAD

LOCKING COVER

NO.
C-18L




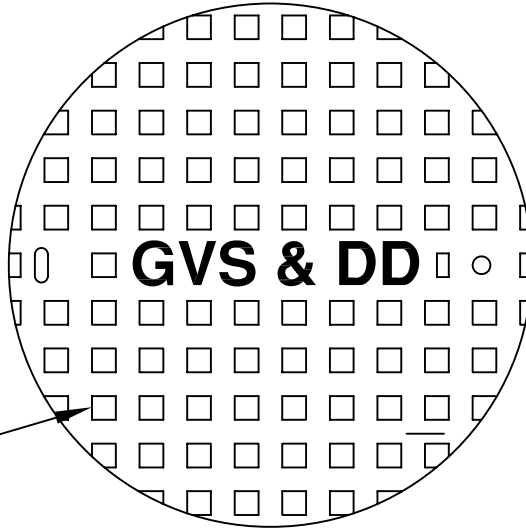
PLAN



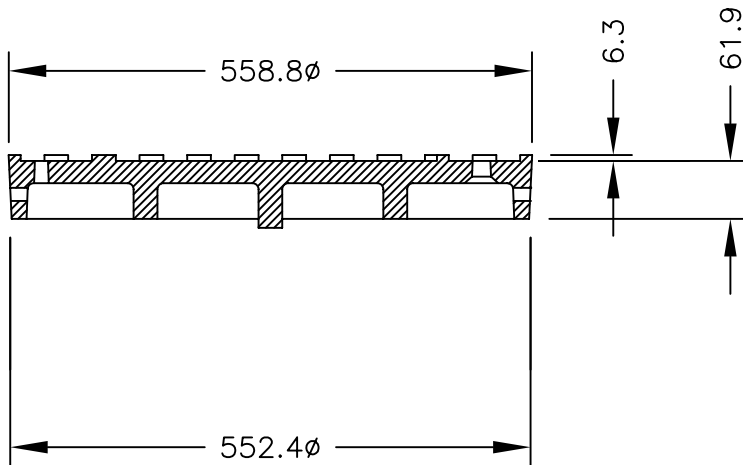
SECTION A-A

APPROX. WEIGHT
FRAME - 70KG

 DOBNEY FOUNDRY LTD. SURREY B.C.	
RATING-HWY LOAD	
MANHOLE FRAME	NO. C-18LP

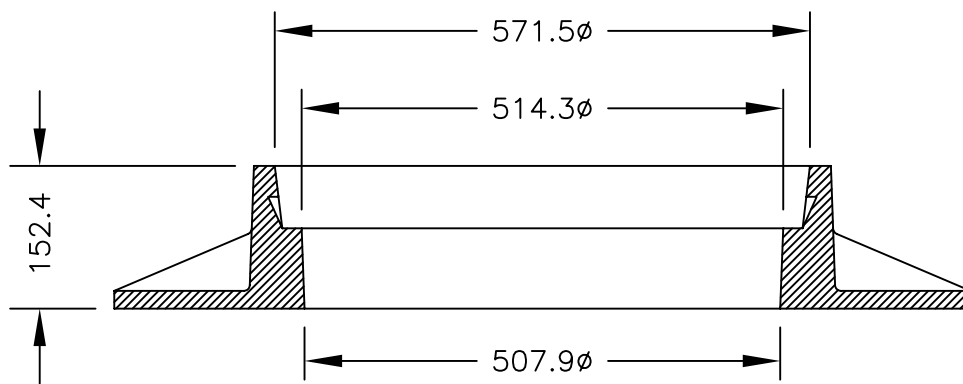
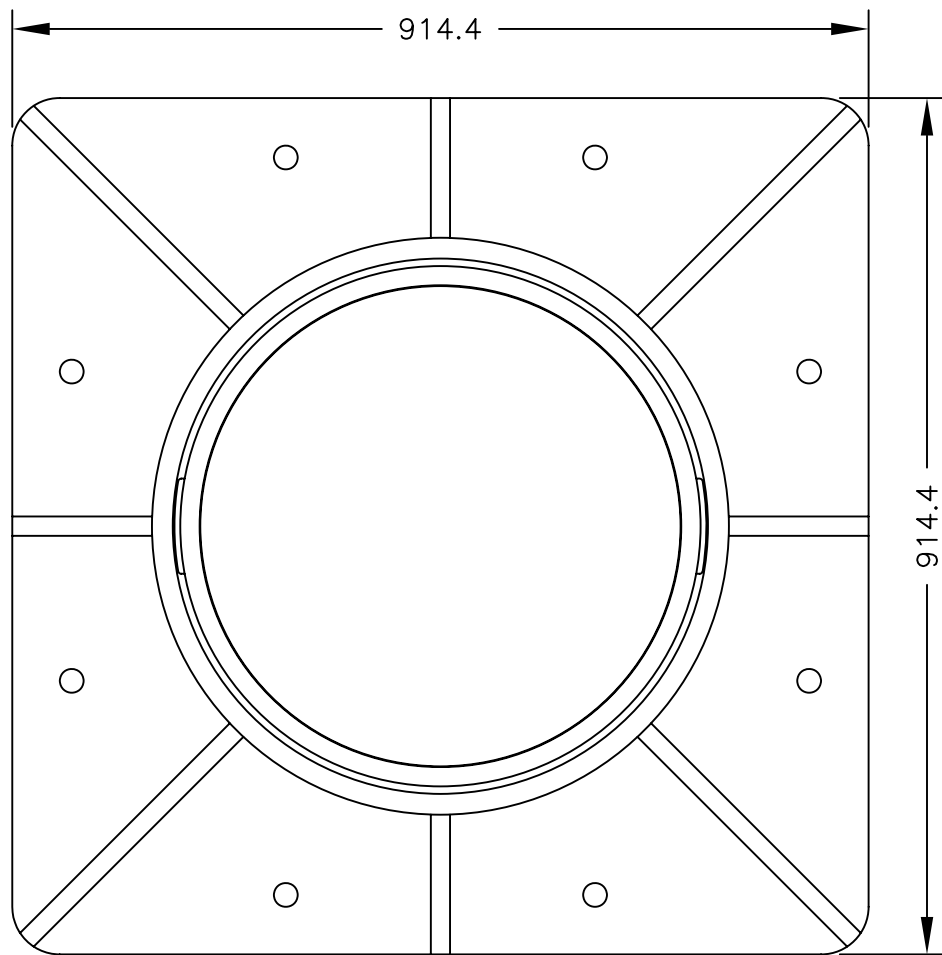


SLOT
 25.4mm SQUARES
 25.4mm SPACING




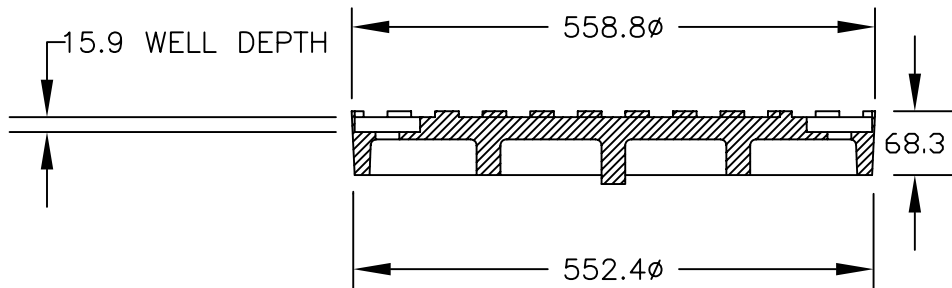
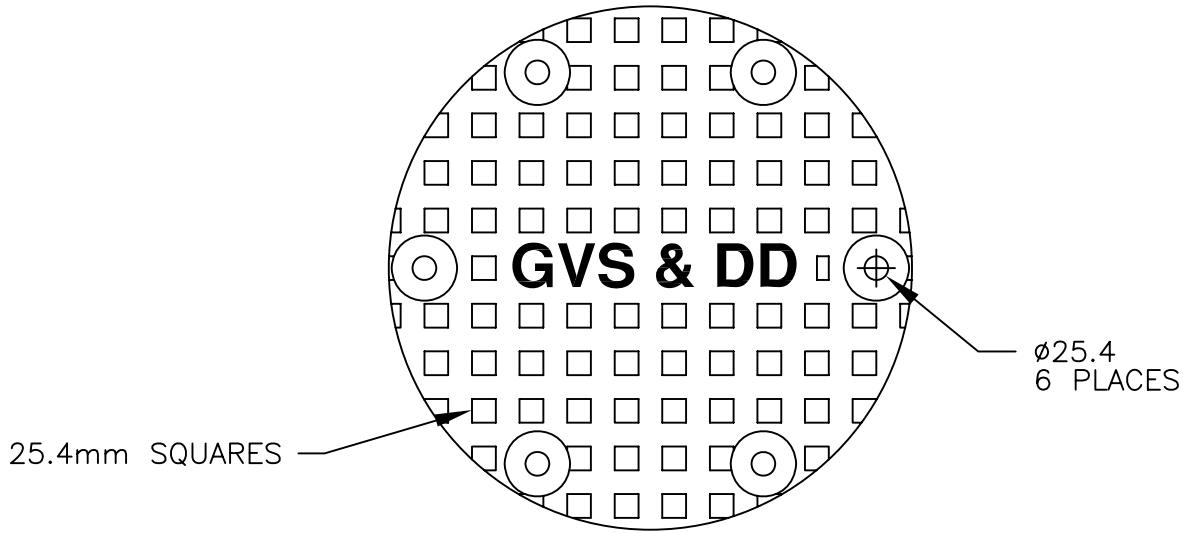
APPROX. WEIGHT
 COVER - 59 Kg

DOBNEY		DOBNEY FOUNDRY LTD. SURREY B.C.	
RATING-HWY LOAD			
COVER		NO. C-19	



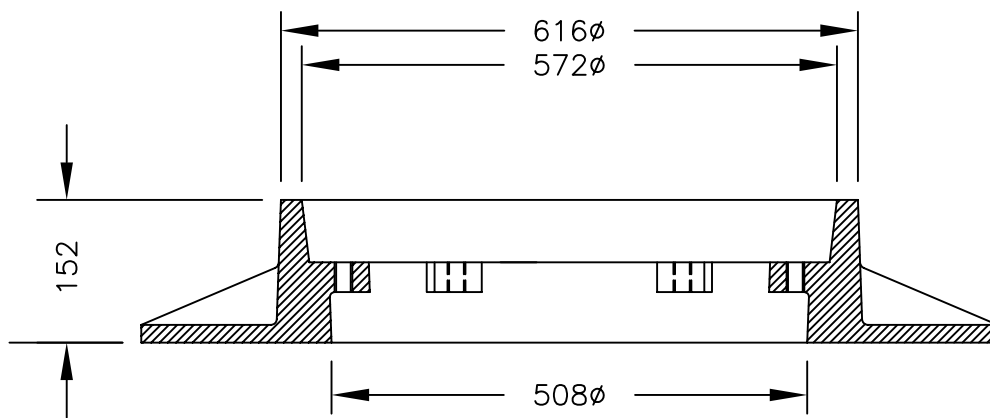
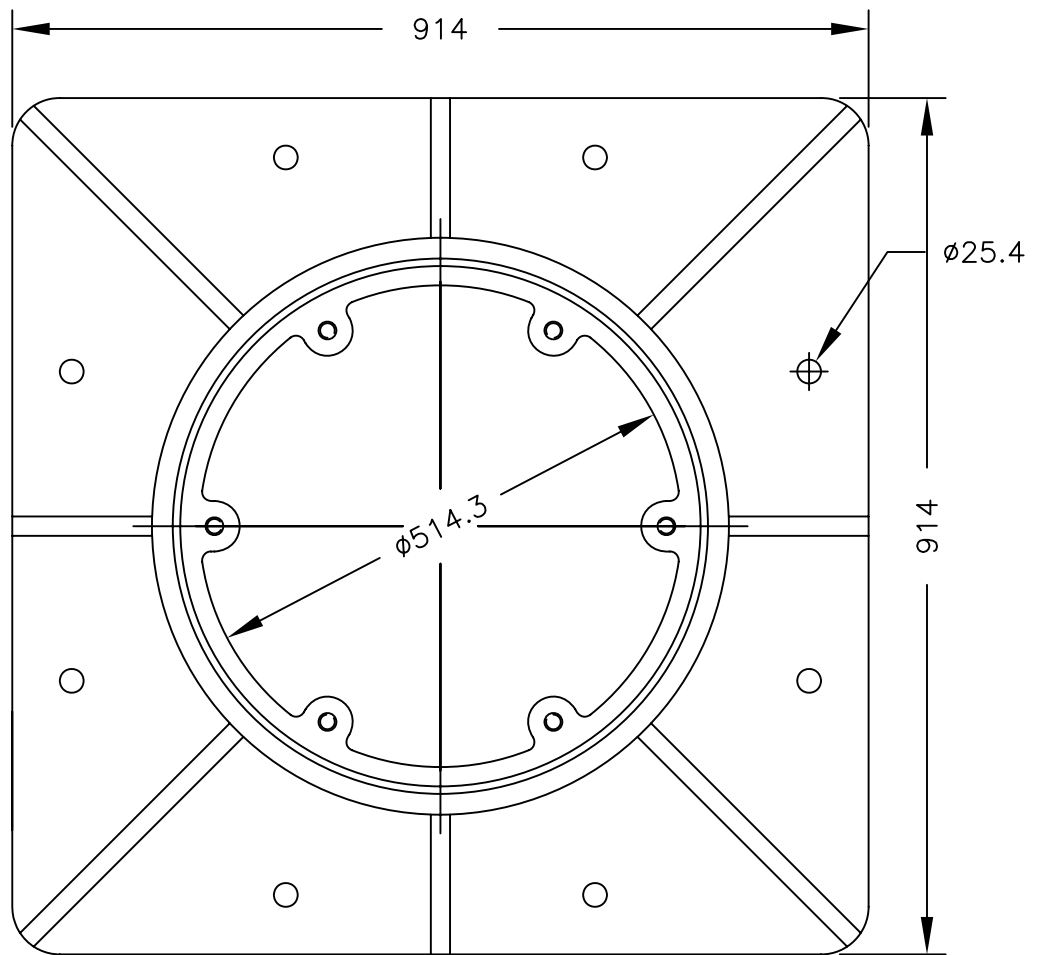
APPROX. WEIGHT
FRAME - 138 Kg

 DOBNEY FOUNDRY LTD. SURREY B.C.	
RATING-HWY LOAD	
FRAME WITH LOCK INDENT	NO. C-19




APPROX. WEIGHT
COVER - 60Kg

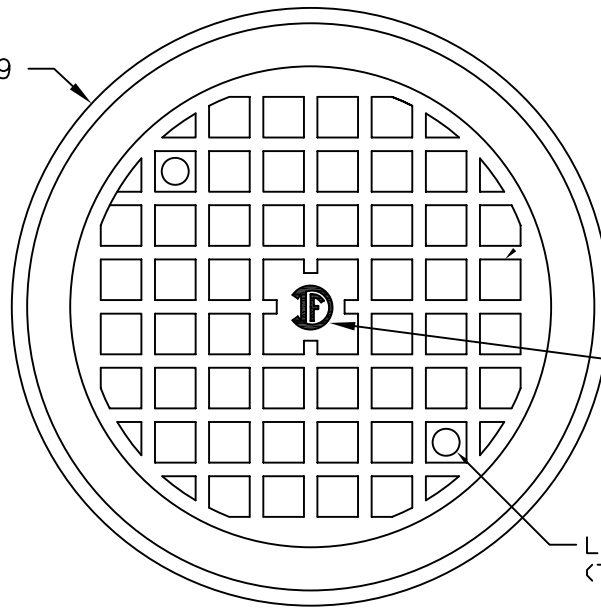
DOBNEY		DOBNEY FOUNDRY LTD. SURREY B.C.	
RATING-HWY LOAD			
WATERTIGHT COVER			NO. C-19A



APPROX. WEIGHT
FRAME - 154 Kg

 DOBNEY FOUNDRY LTD. SURREY B.C.	
RATING-HWY LOAD	
WATERTIGHT FRAME	NO. C-19A

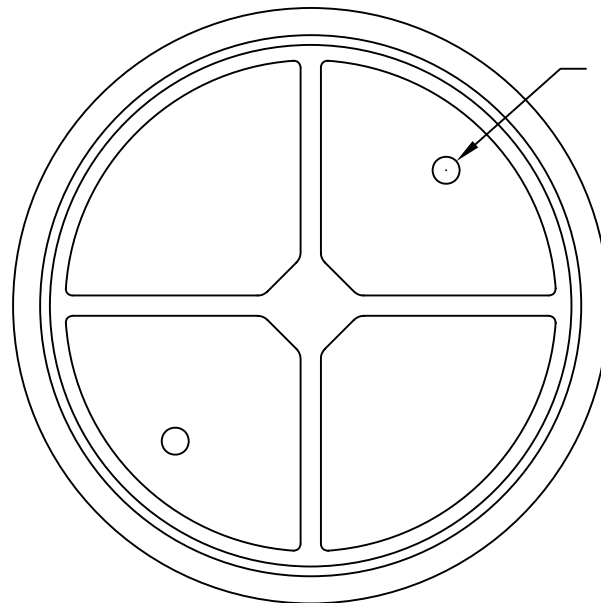
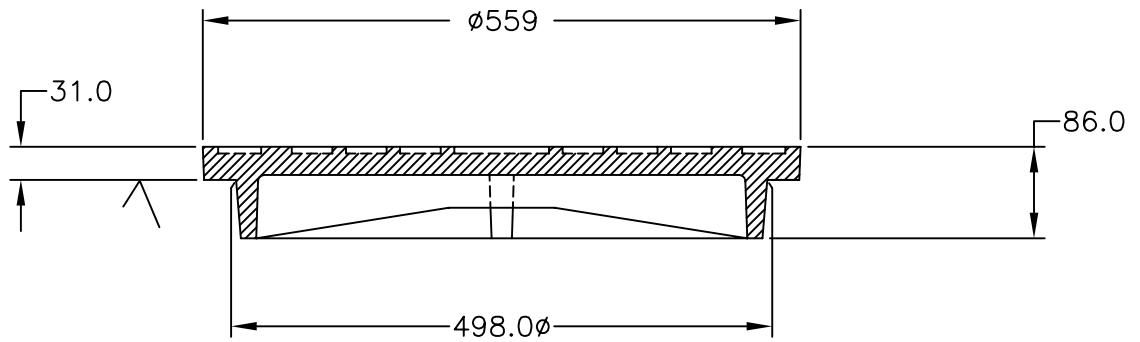
ø559



DOBNEY LOGO

PLAN - COVER


LIFTING HOLE
(TYP. FOR 2)

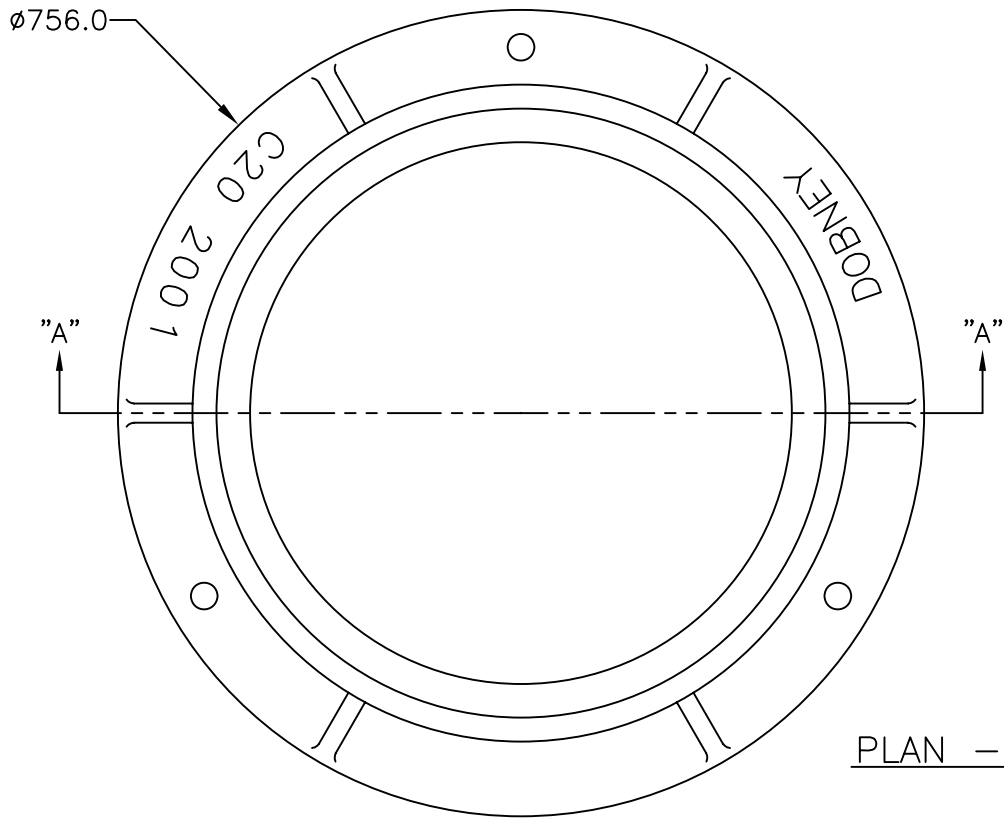


ø25

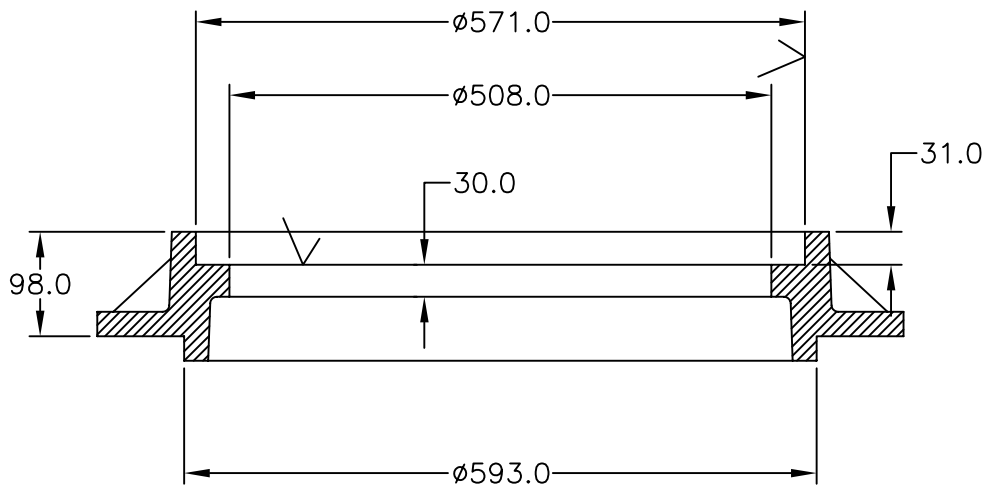
PLAN - COVER U/S REINF.


APPROX. WEIGHT- 61 KG

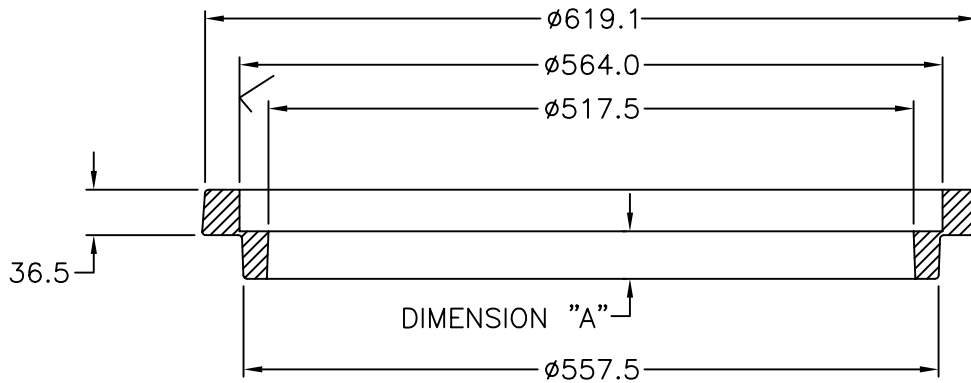
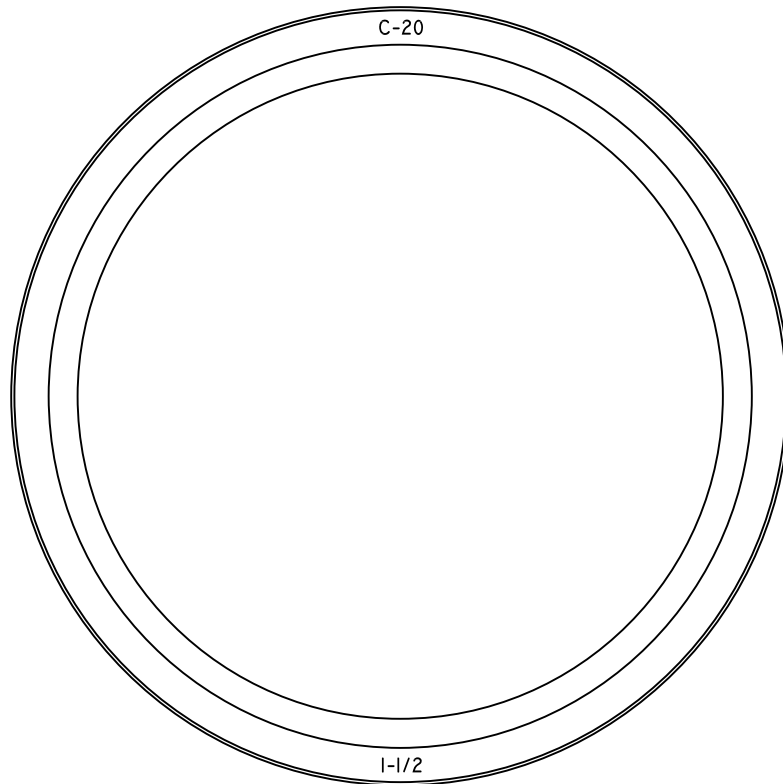
 DOBNEY FOUNDRY LTD. SURREY B.C.	
RATING- HWY LOAD	
COVER	NO. C-20



PLAN - COVER



	DOBNEY FOUNDRY LTD. SURREY B.C.	
	RATING-H-20	
FRAME		NO. C-20



DIMENSION "A"	
INCH	METRIC
1 1/2"	38.1
2"	50.8
2 1/2"	63.5
3"	76.2
3 1/2"	88.9

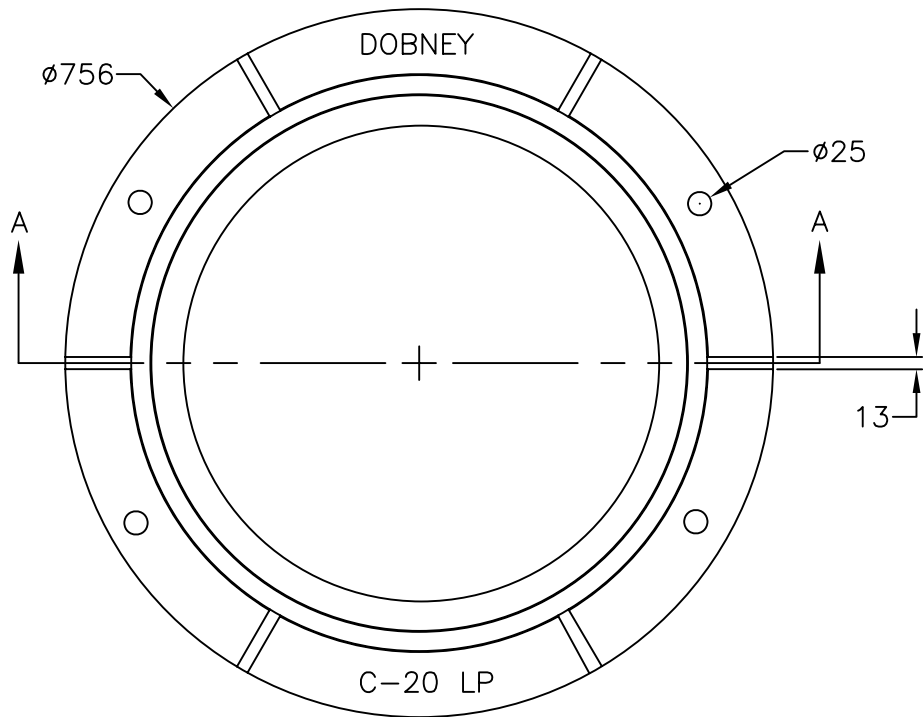


DOBNEY FOUNDRY LTD.
SURREY B.C.

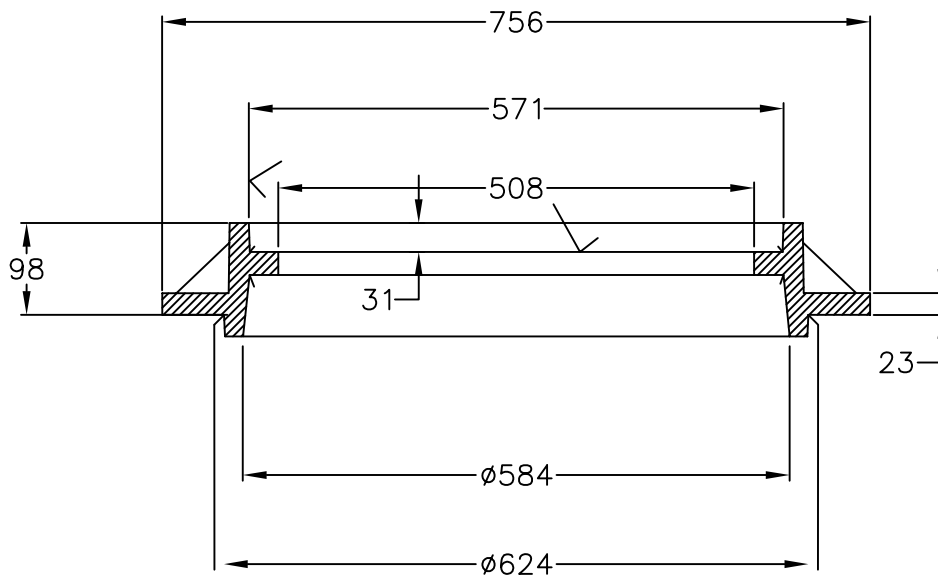
RATING-HWY LOAD

RISER

NO.
C-20C




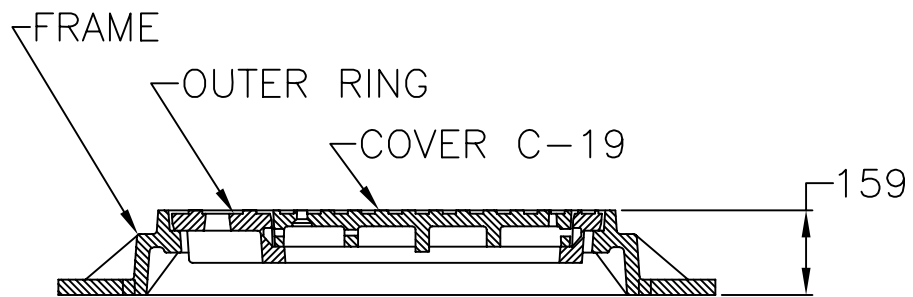
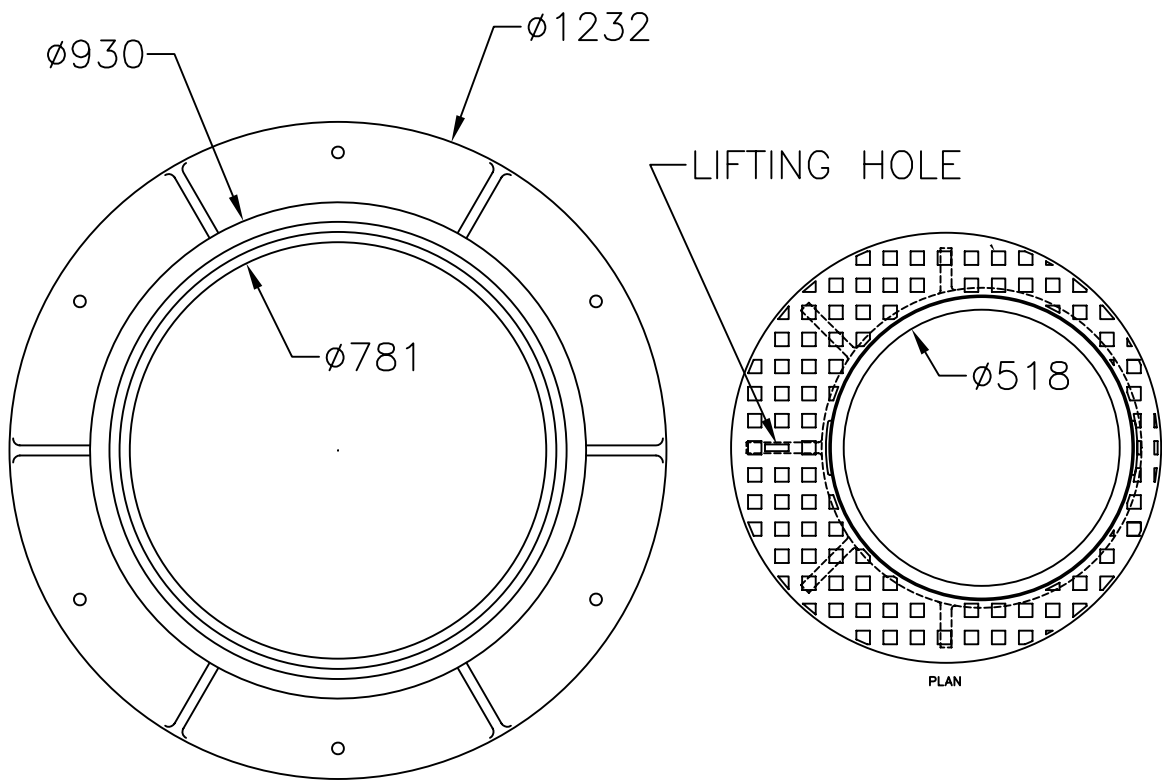
PLAN



SECTION A-A


APPROX. WEIGHT
FRAME - 68KG

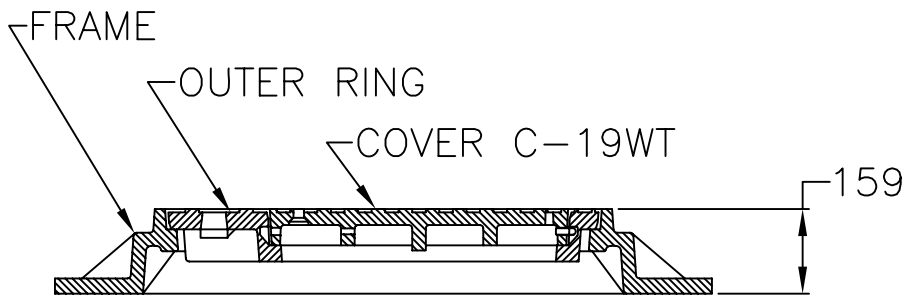
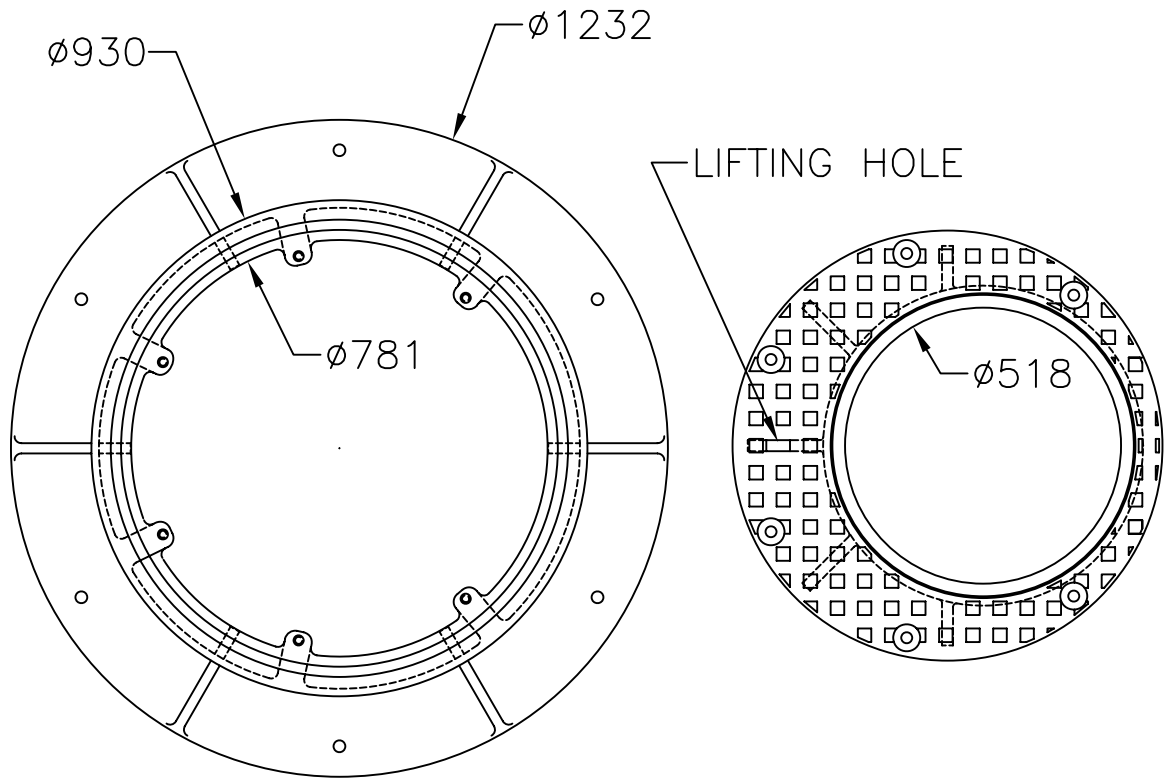
 DOBNEY FOUNDRY LTD. SURREY B.C.	
RATING-HWY LOAD	
MANHOLE FRAME	NO. C-20LP



SECTION OF FRAME,
RING AND COVER.


APPROX. WEIGHTS
 COVER - 63Kg.
 RING - 102Kg.
 FRAME - 193Kg.

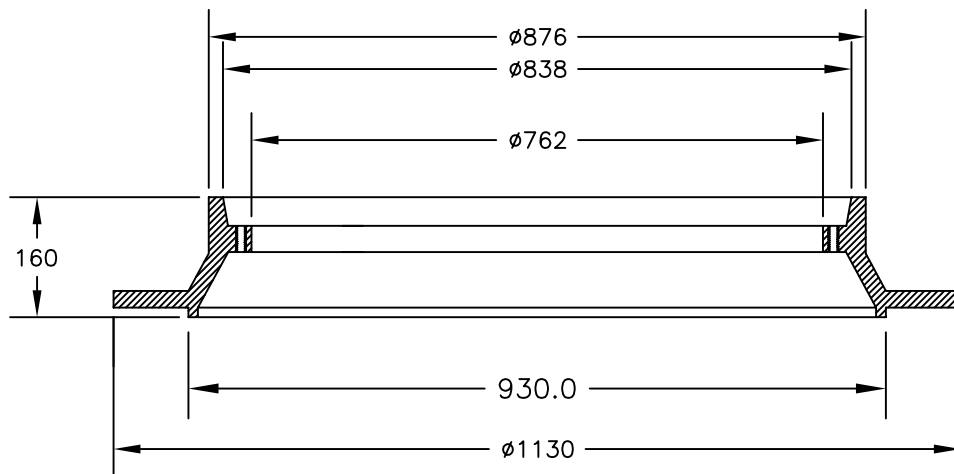
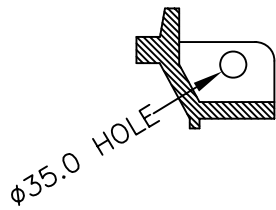
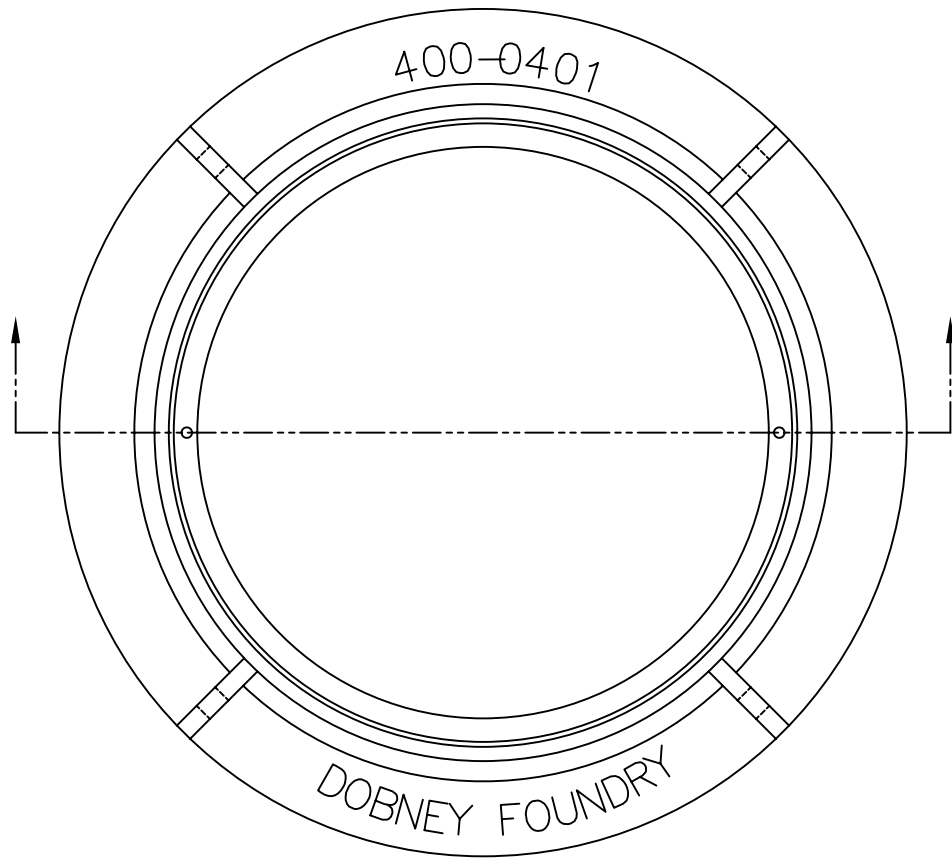
 DOBNEY FOUNDRY LTD. SURREY B.C.	
RATING-HWY LOAD	
3 PIECE MANHOLE	NO. C-22



SECTION OF FRAME,
RING AND COVER.

APPROX. WEIGHTS
COVER - 63Kg.
RING - 102Kg.
FRAME - 193Kg.

 DOBNEY FOUNDRY LTD. SURREY B.C.	
RATING-HWY LOAD	
3 PIECE MANHOLE WATERTIGHT	NO. C-22WT



APPROX. WEIGHT
FRAME - 130 KG

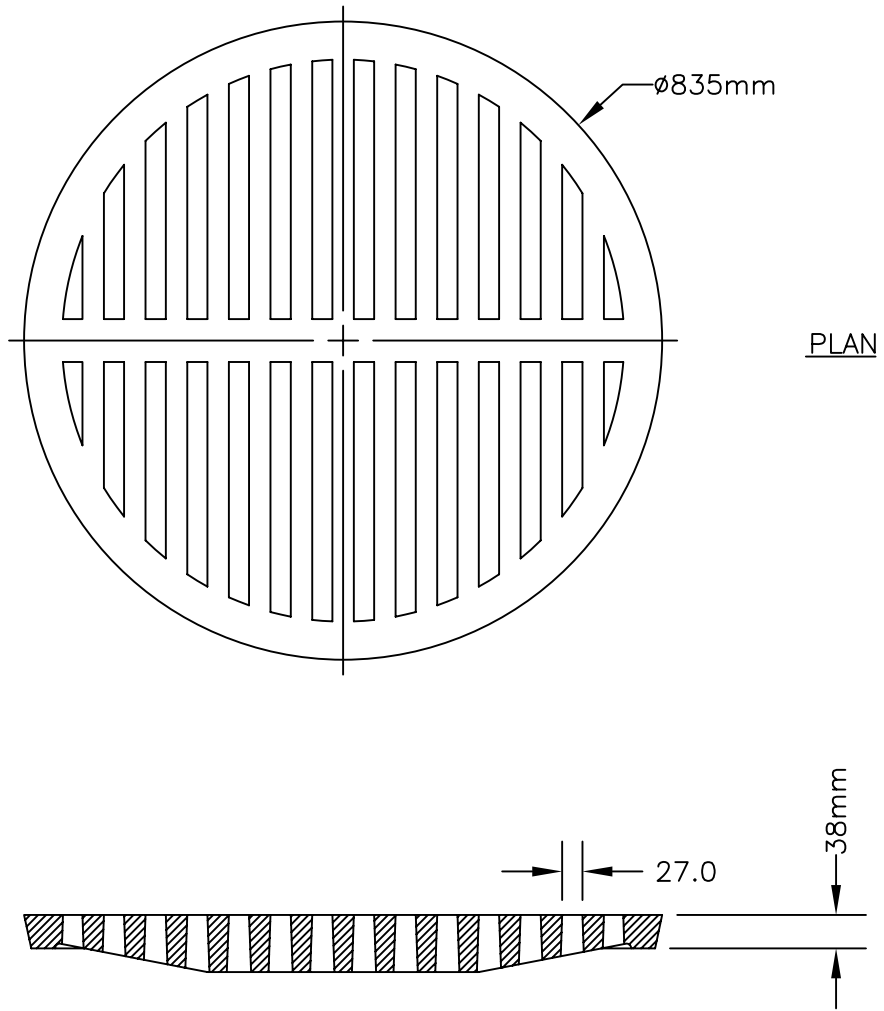


DOBNEY FOUNDRY LTD.
SURREY B.C.

RATING-HWY LOAD

MANHOLE FRAME

NO.
C-23




PLAN

WEIGHTS:—

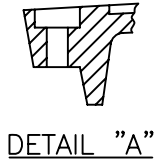
GRATE 138 Kg

DESIGNED TO FIT C-23 FRAME

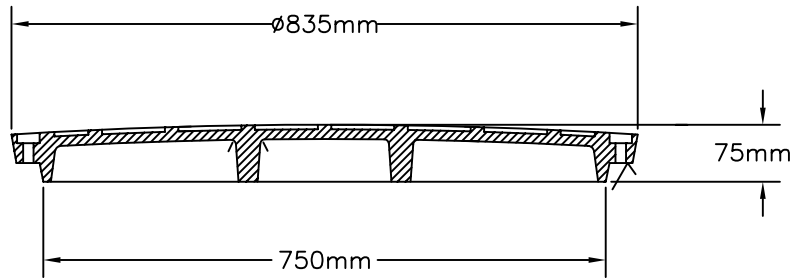
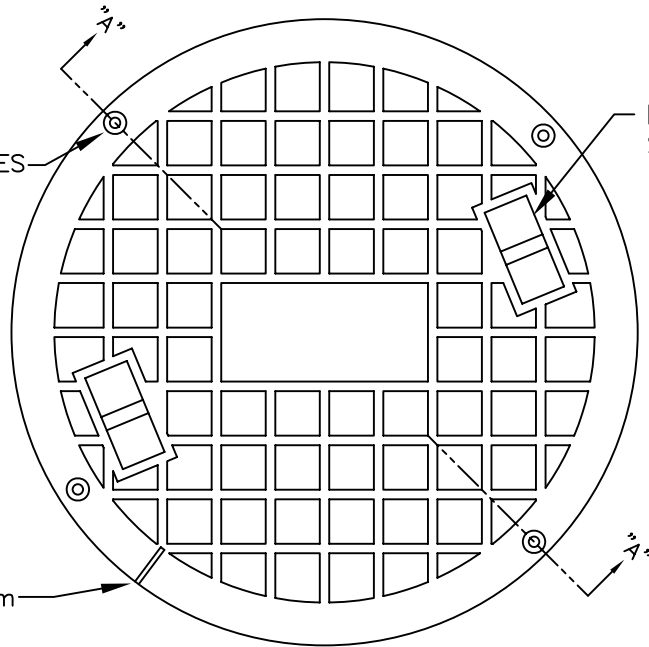
 DOBNEY FOUNDRY LTD. SURREY B.C.	
RATING—HWY LOAD	
GRATE	NO. C-23G

4- ϕ 16mm HOLES
SEE DETAIL "A"

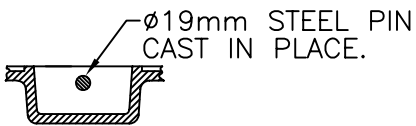
LIFTING BOX
SEE DETAIL "B"



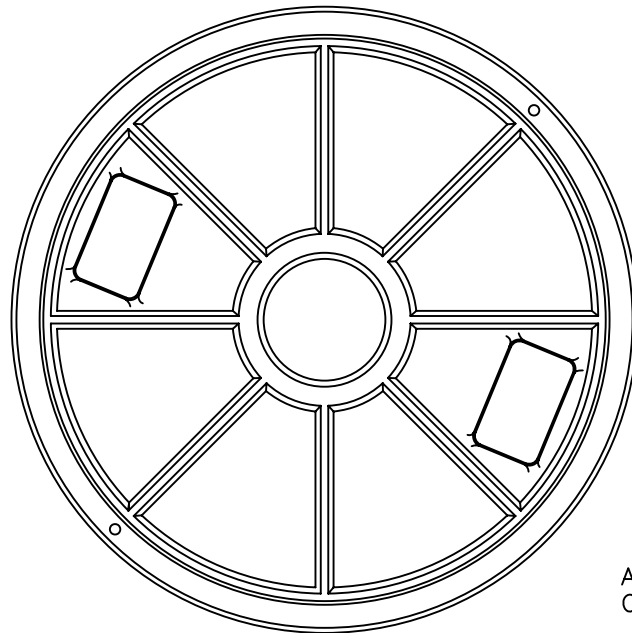
ALIGNMENT SLOT 6x6mm



SECTION A-A



DETAIL "B"



APPROX. WEIGHT
COVER 109 Kg

COMES WITH NEOPRENE GASKET

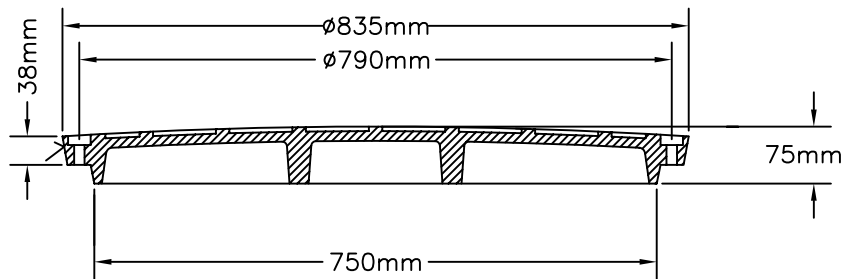
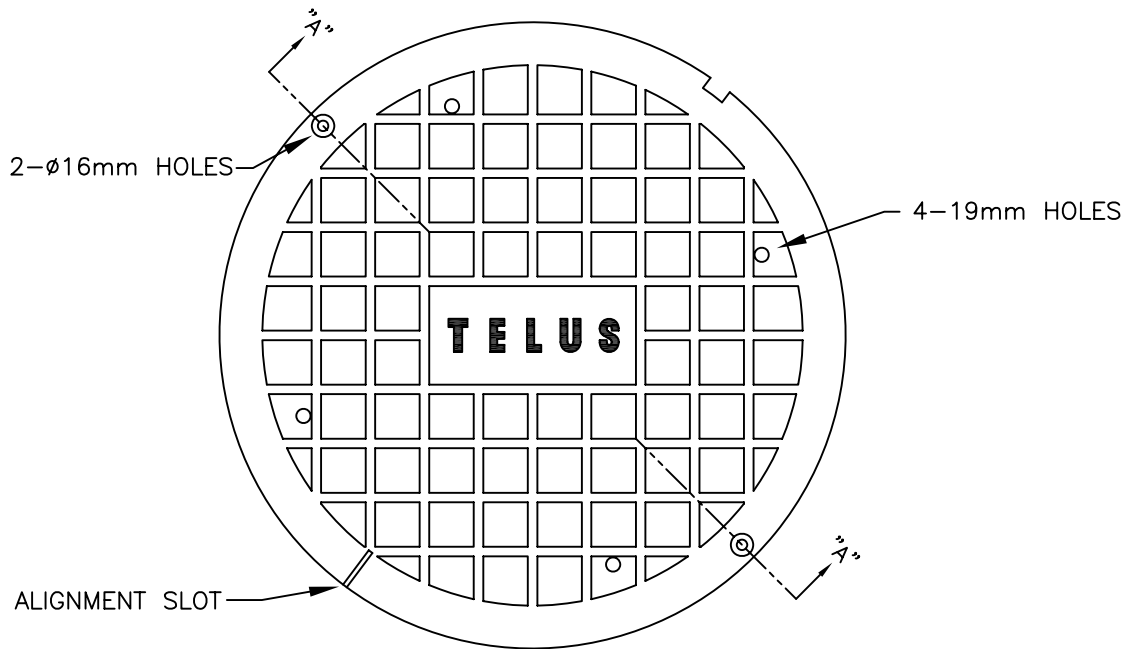
DOBNEY

DOBNEY FOUNDRY LTD.
SURREY B.C.

RATING-HWY LOAD


MANHOLE COVER
WATER TIGHT

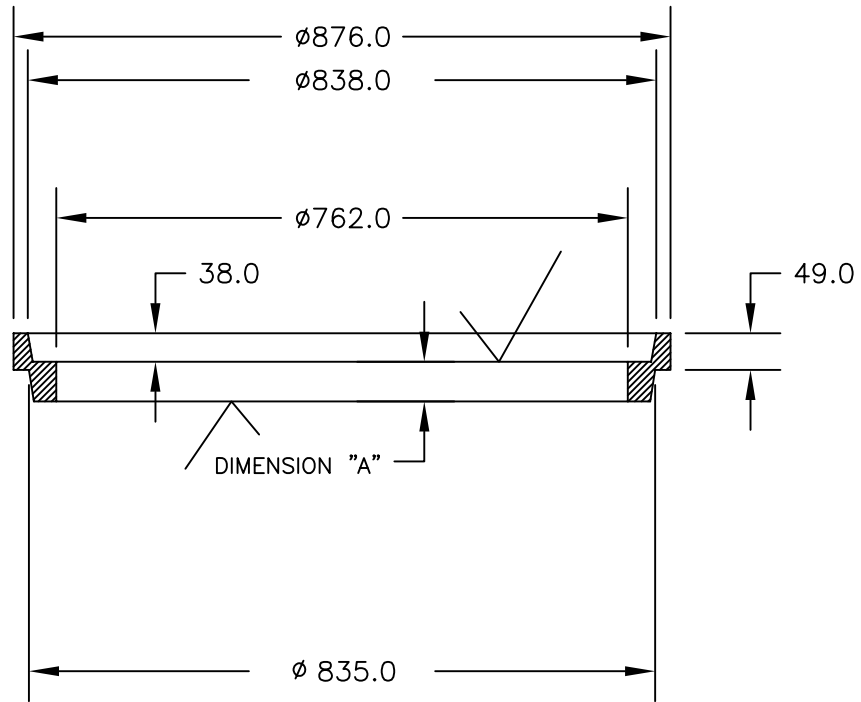
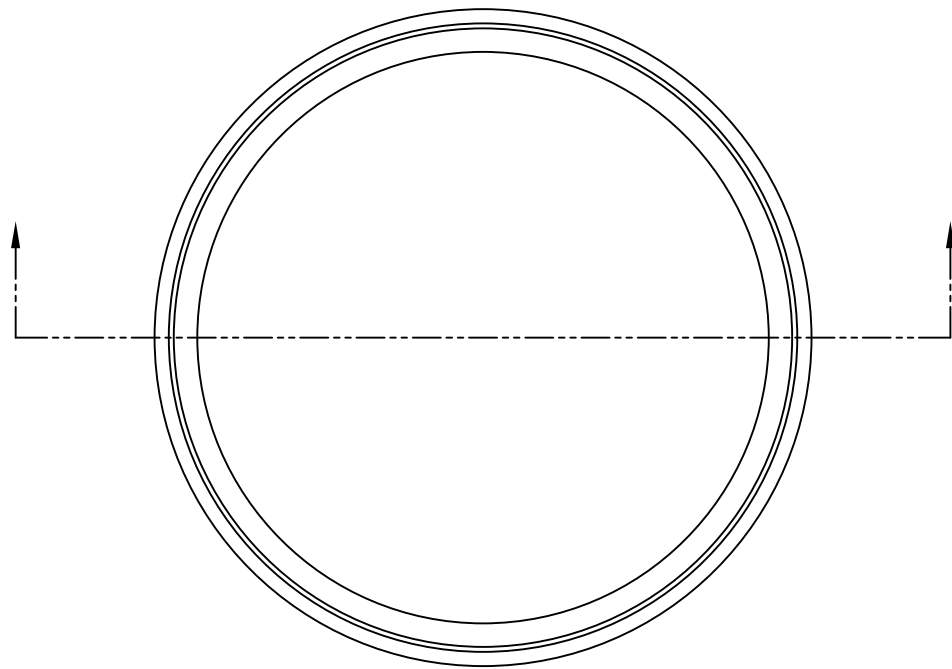
NO.
C-23WT



ALTERNATE WORDING OR LOGOS
AVAILABLE

APPROX. WEIGHT
COVER 120 Kg

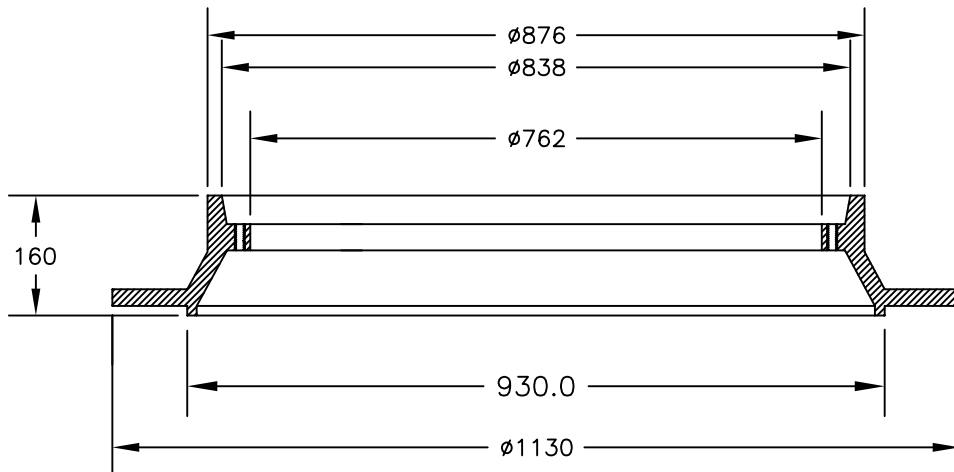
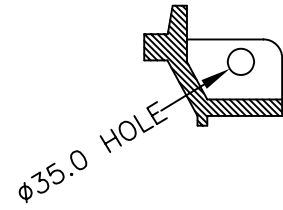
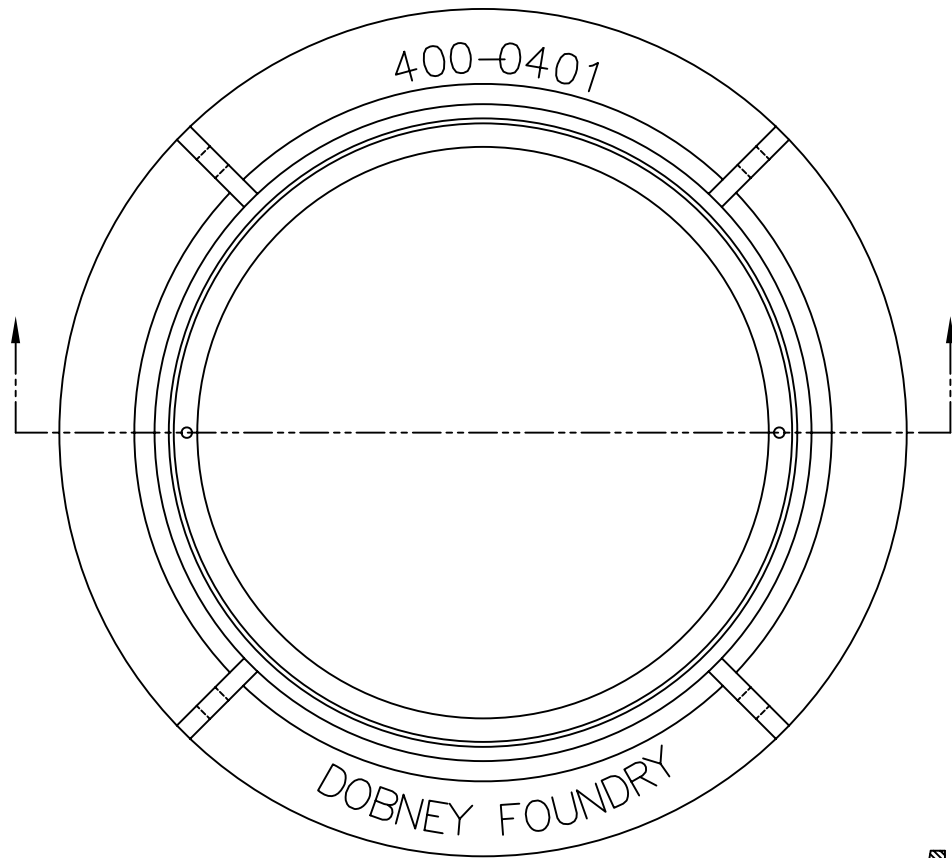
 DOBNEY FOUNDRY LTD. SURREY B.C.	
RATING-HWY LOAD	
MANHOLE COVER TELUS	NO. C-23A



DIMENSION "A"	
INCH	METRIC
2"	51mm
2 1/2"	63mm
3"	76mm

NOTE: MUST BE MACHINED TO GAUGE.

DOBNEY	DOBNEY FOUNDRY LTD. SURREY B.C.	
	RATING-HWY LOAD	
TELUS RISER	NO. C-23C	



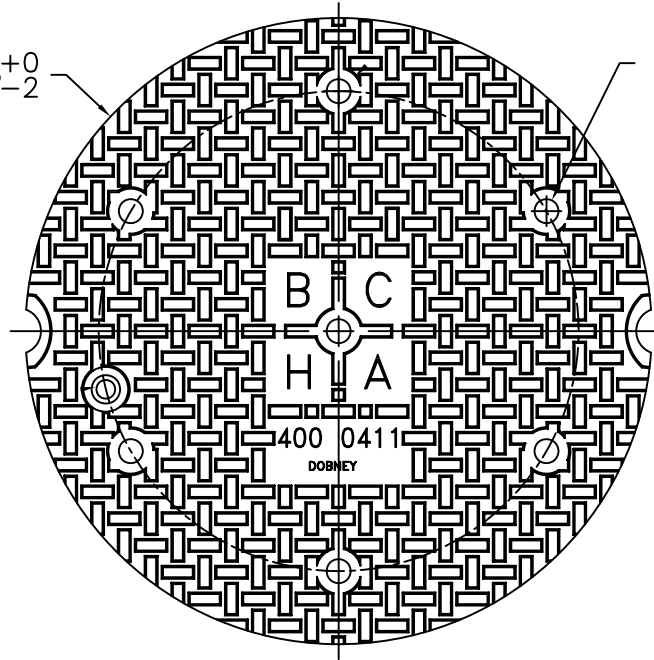
B.C. HYDRO # 0401
 USE WITH BCH 0411 COVER

DOBNEY	DOBNEY FOUNDRY LTD. SURREY B.C.	
	RATING-HWY LOAD	
BCH 0401 FRAME	NO. C-25	

PLAN

$\phi 835^{+0}_{-2}$

6 HOLES

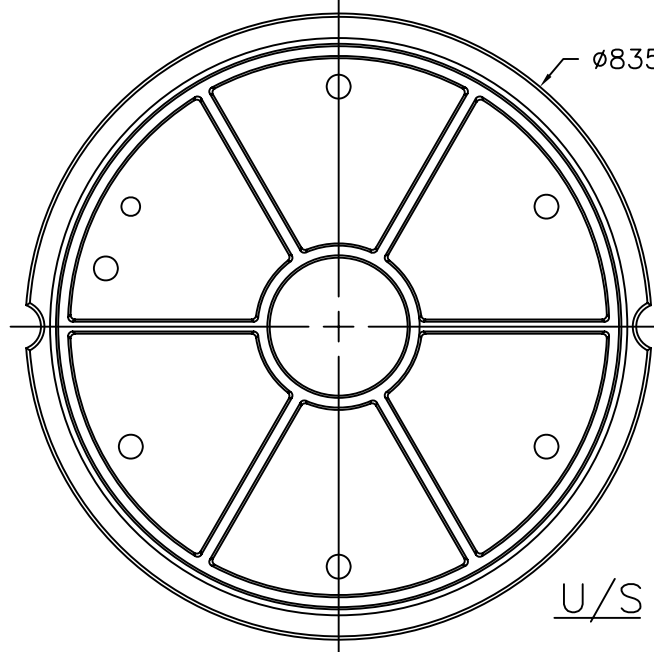


38 ± 1



30 ± 2

754 ± 2



U/S

B.C. HYDRO #0411 COVER
USE WITH BCH 0401 FRAME

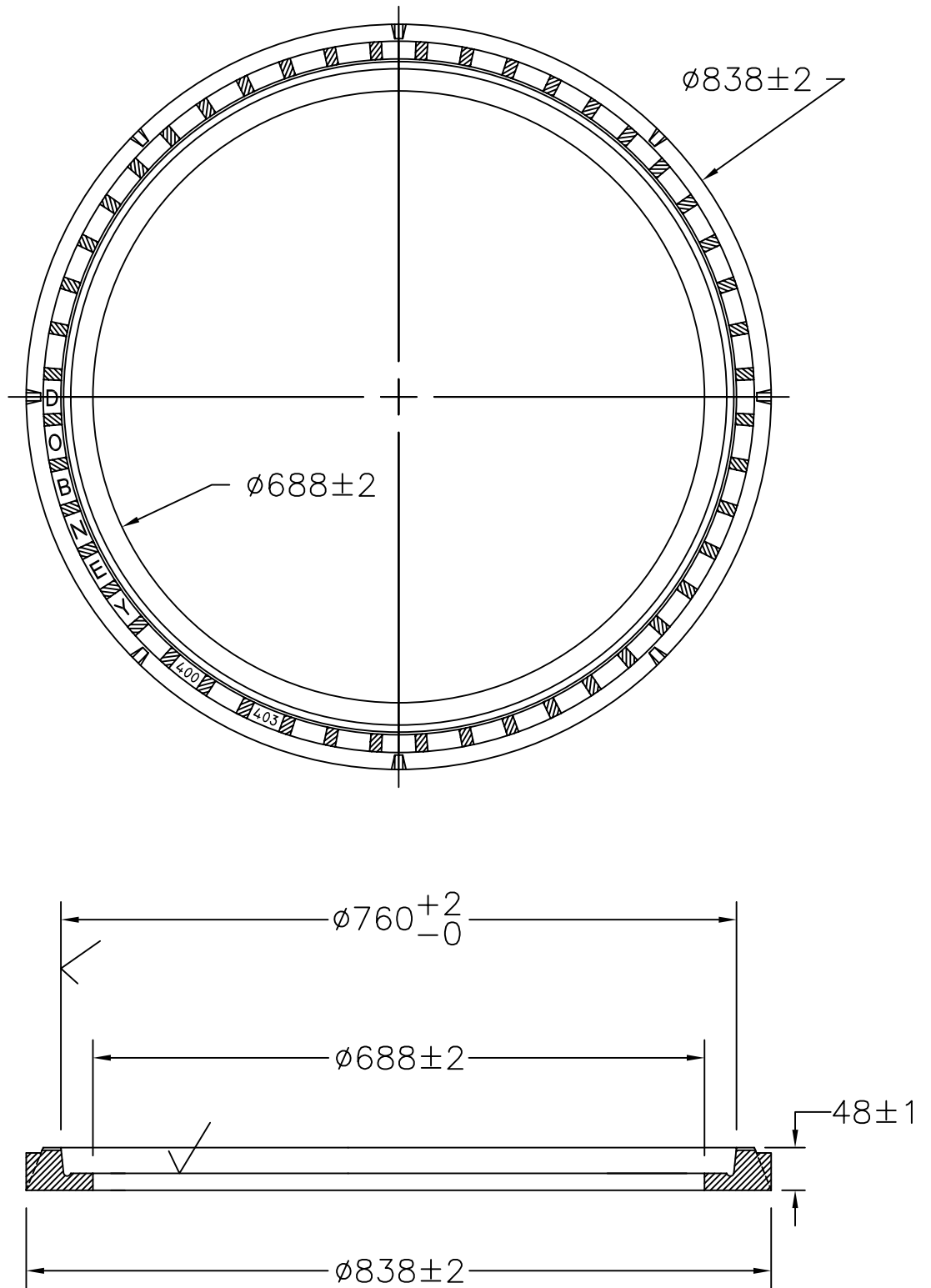


DOBNEY FOUNDRY LTD.
SURREY B.C.


RATING-HWY LOAD

BCH 0411 COVER

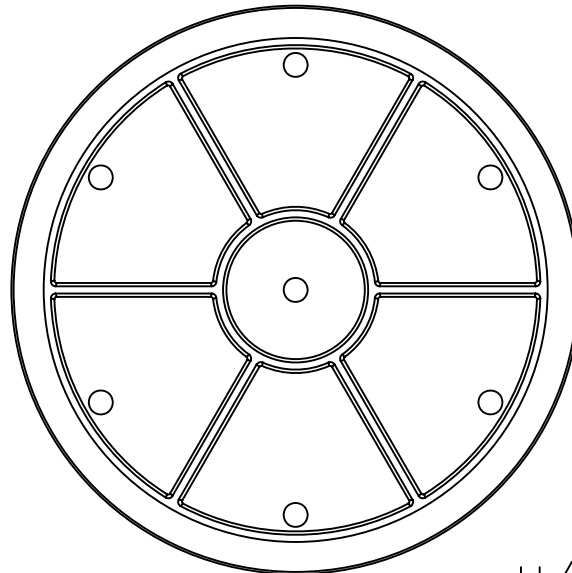
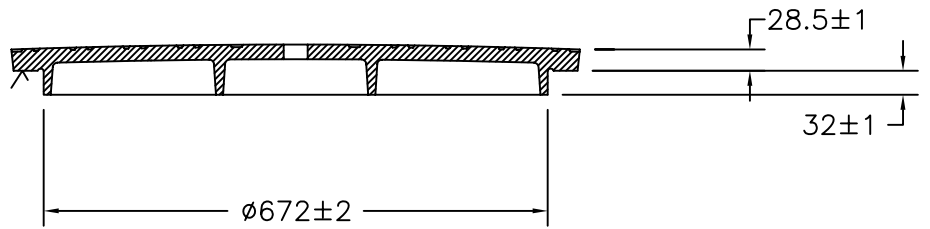
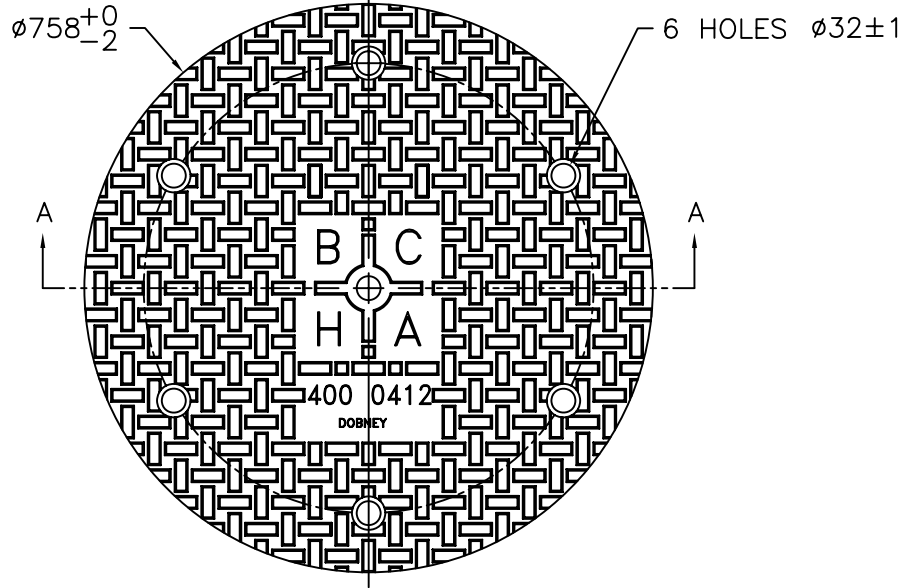
NO.
C-25A



B.C. HYDRO #0403
 USE WITH BCH 0412 COVER


 DOBNEY FOUNDRY LTD. SURREY B.C.	
RATING- HWY LOAD	
BCH 0403 FRAME	NO. C-26

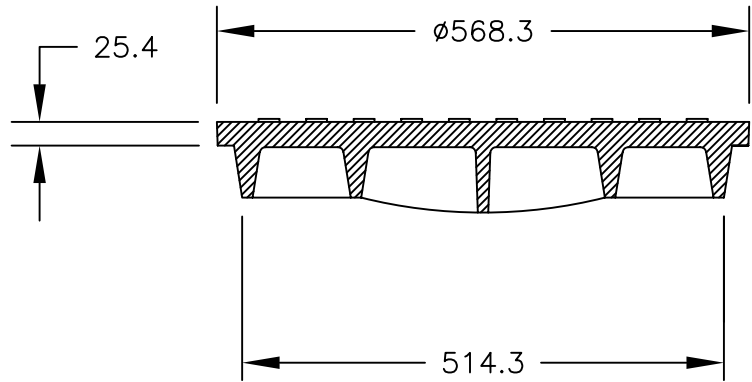
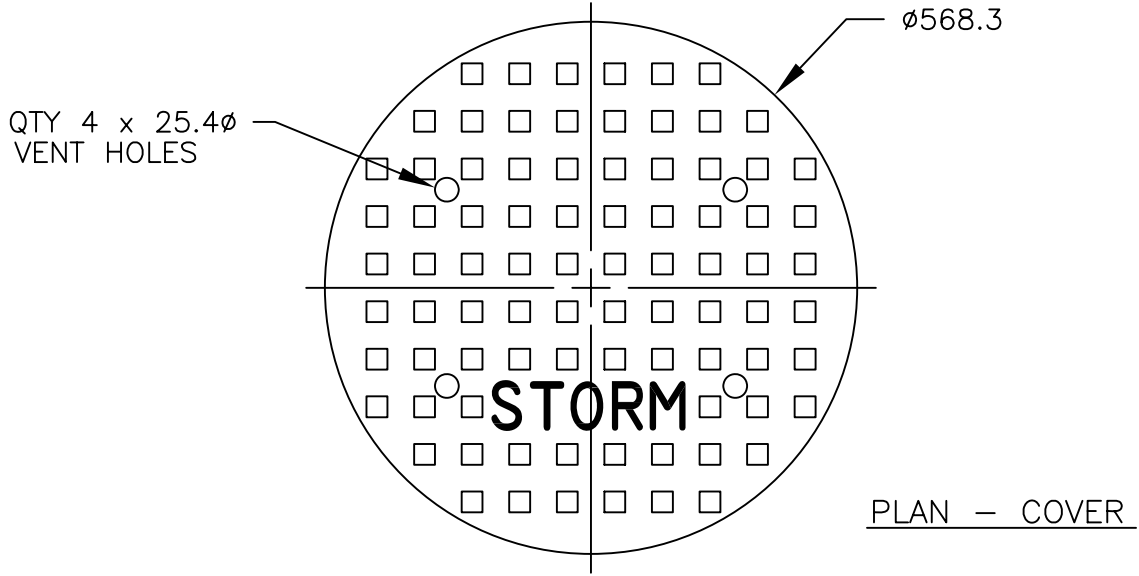
PLAN




U/S

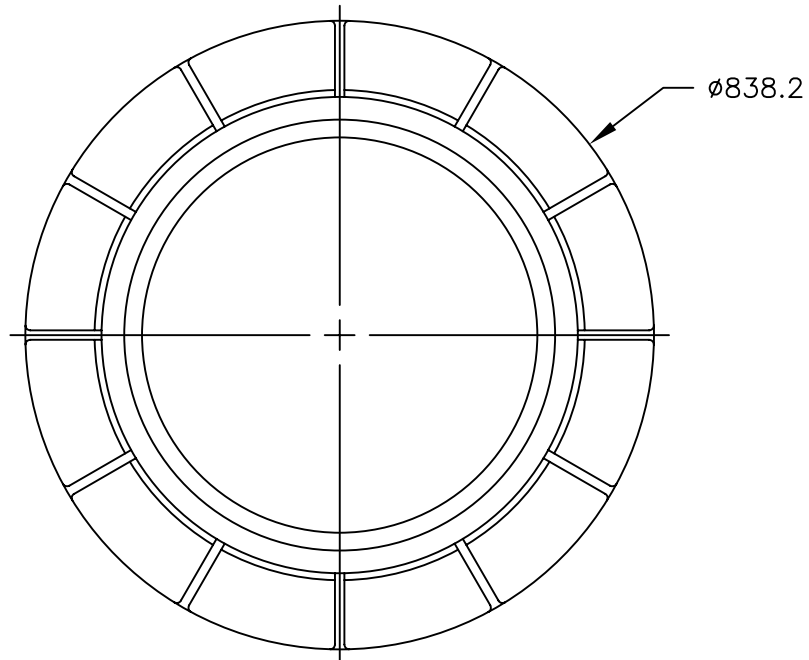
B.C. HYDRO #0412
USE WITH BCH 0403 FRAME

	DOBNEY FOUNDRY LTD. SURREY B.C.
RATING-HWY LOAD	
BCH 0412 COVER	NO. C-26A

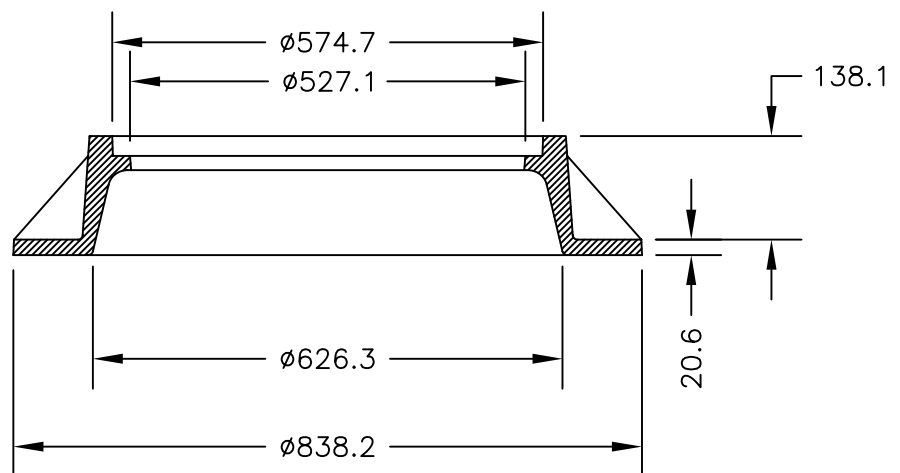


APPROX. WEIGHT
COVER - 65 Kg

 DOBNEY FOUNDRY LTD. SURREY B.C.	
RATING-HWY LOAD	
COVER	NO. C-39



FRAME



WEIGHTS:—
FRAME 86 Kg

NOTES:

1. ALL METAL BEARING SURFACES BETWEEN FRAME AND COVER MACHINED TO ENSURE GOOD SEATING

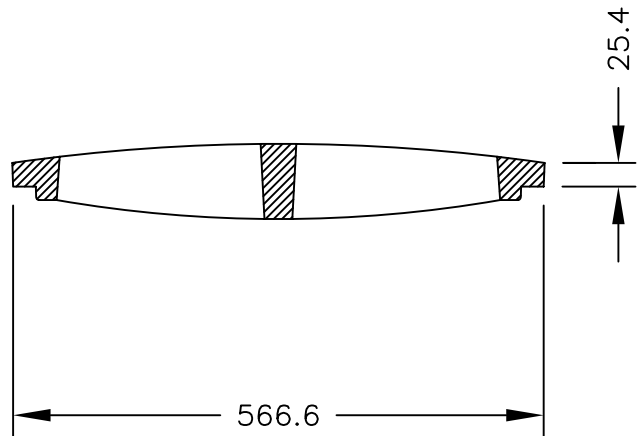
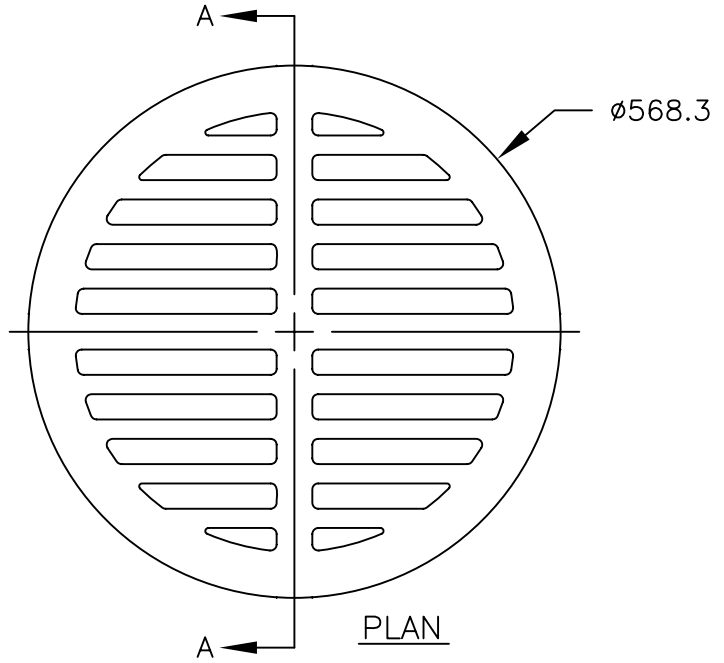
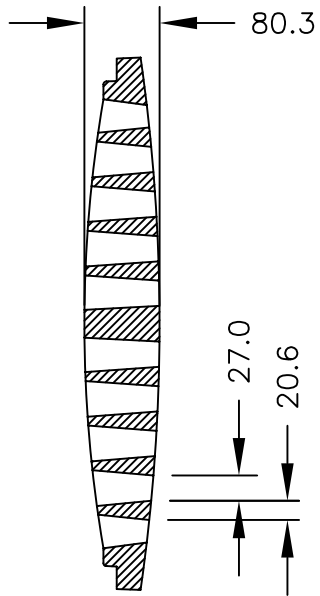


DOBNEY FOUNDRY LTD.
SURREY B.C.


RATING—HWY LOAD

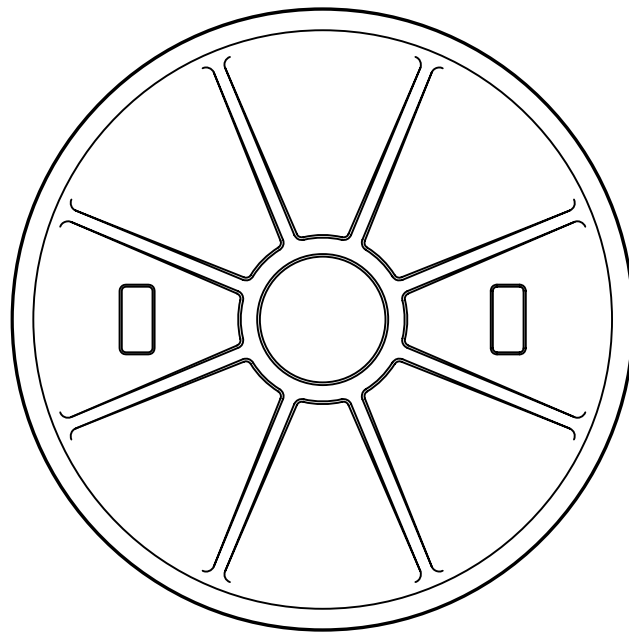
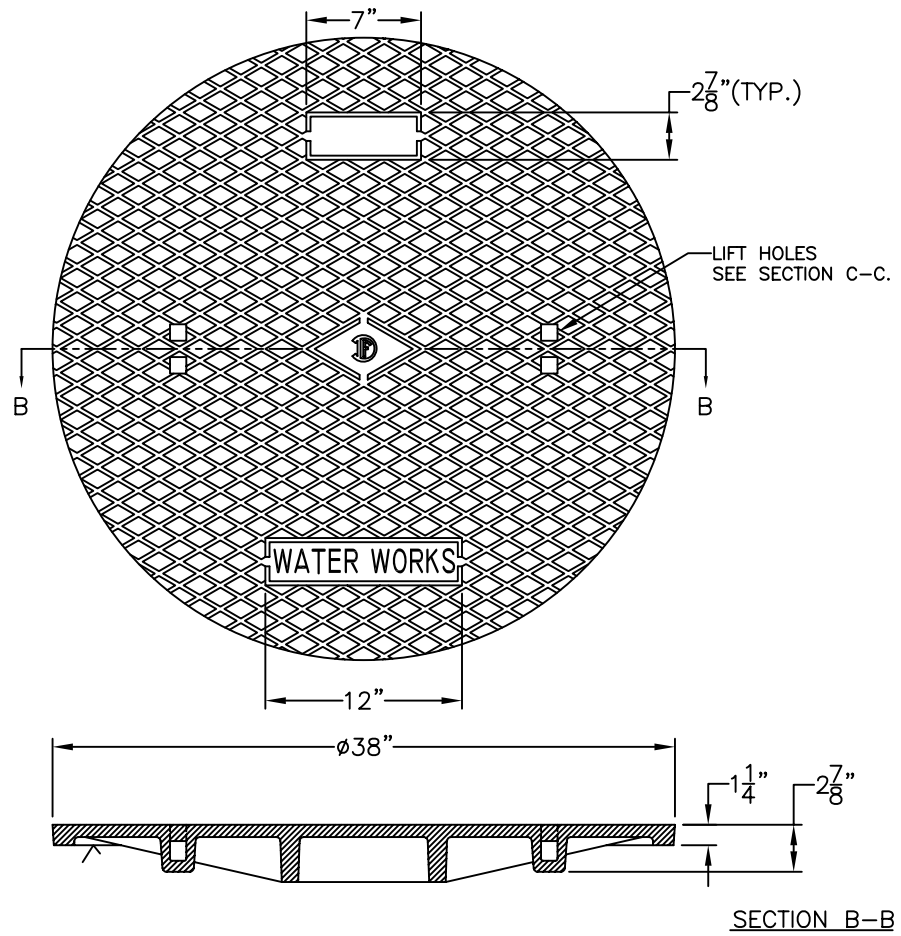
FRAME

NO.
C-39



APPROX. WEIGHT
GRATE - 56 Kg

 DOBNEY FOUNDRY LTD. SURREY B.C.	
RATING-HWY LOAD	
GRATE	NO. C-39



MATERIAL:- DUCTILE IRON

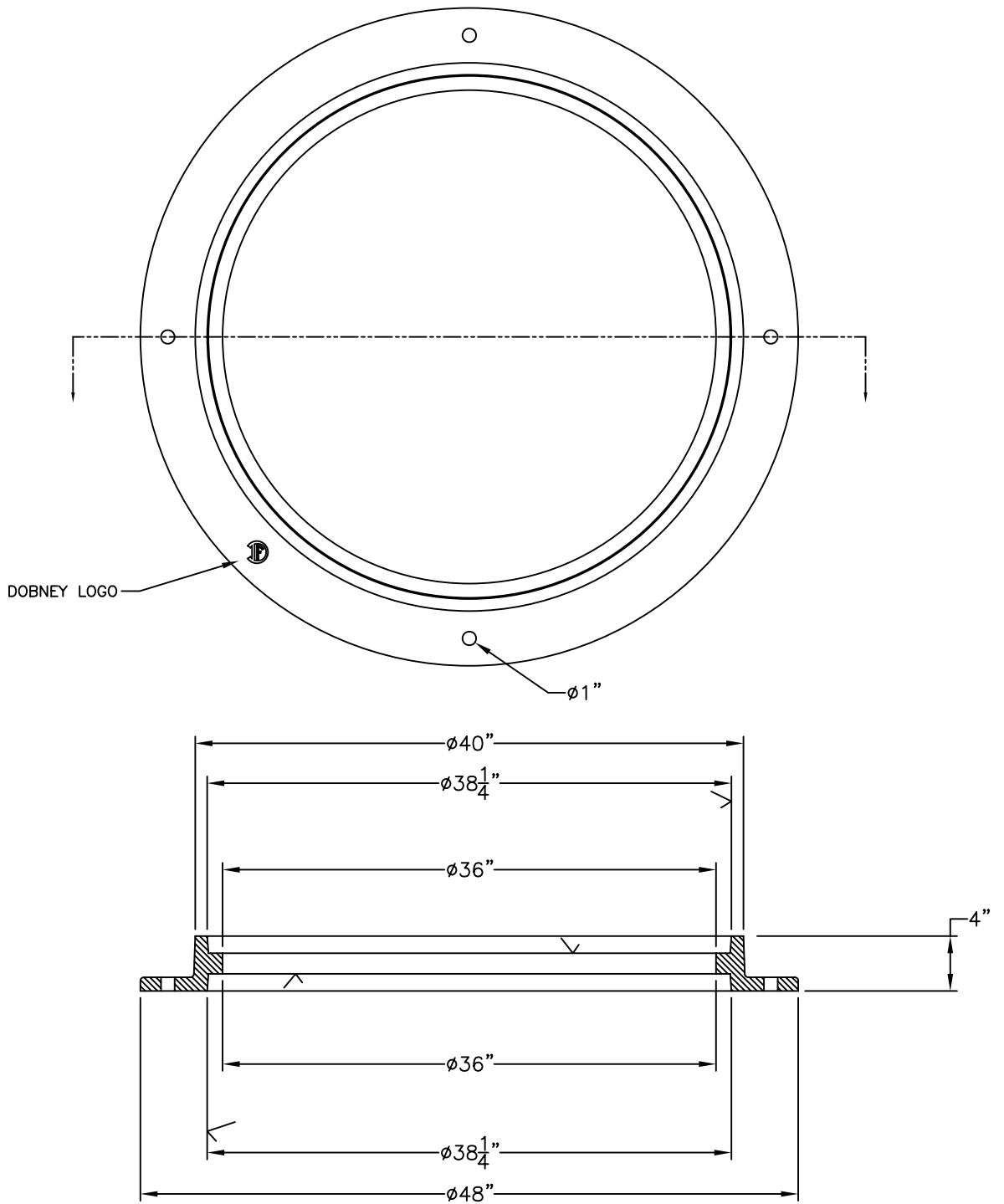
ALSO AVAILABLE IN WATERTIGHT

DOBNEY DOBNEY FOUNDRY LTD.
SURREY B.C.

RATING-HWY LOAD

COVER


NO.
C-42

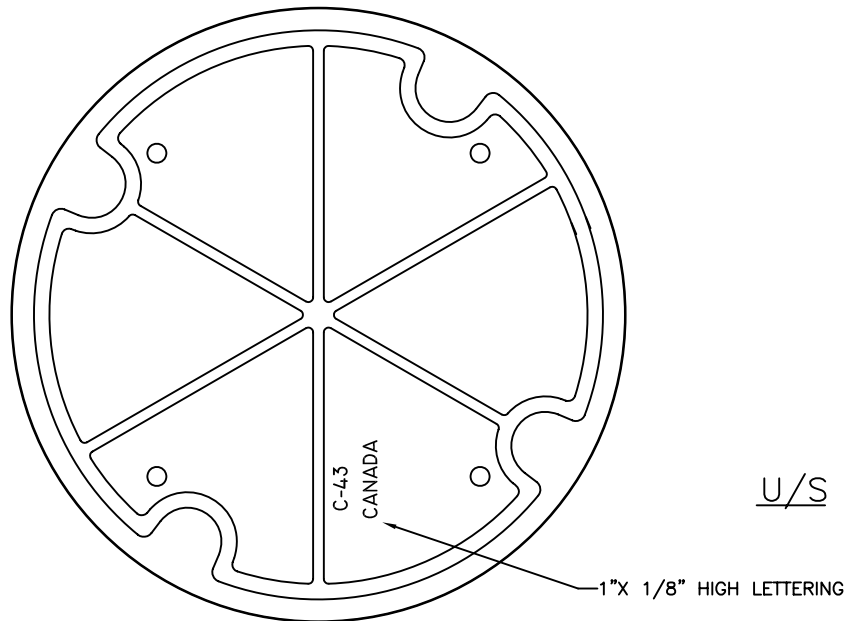
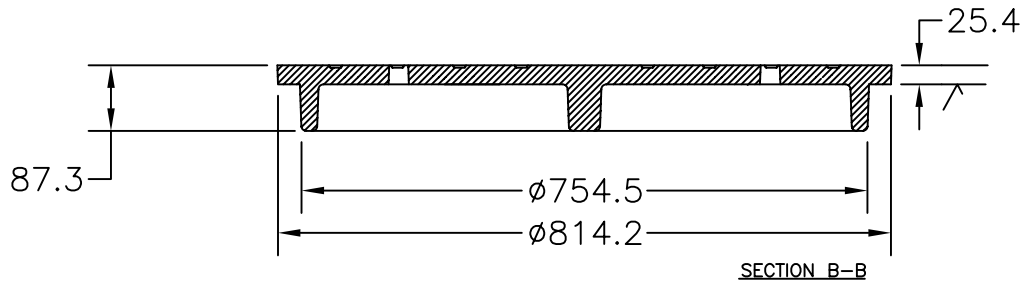
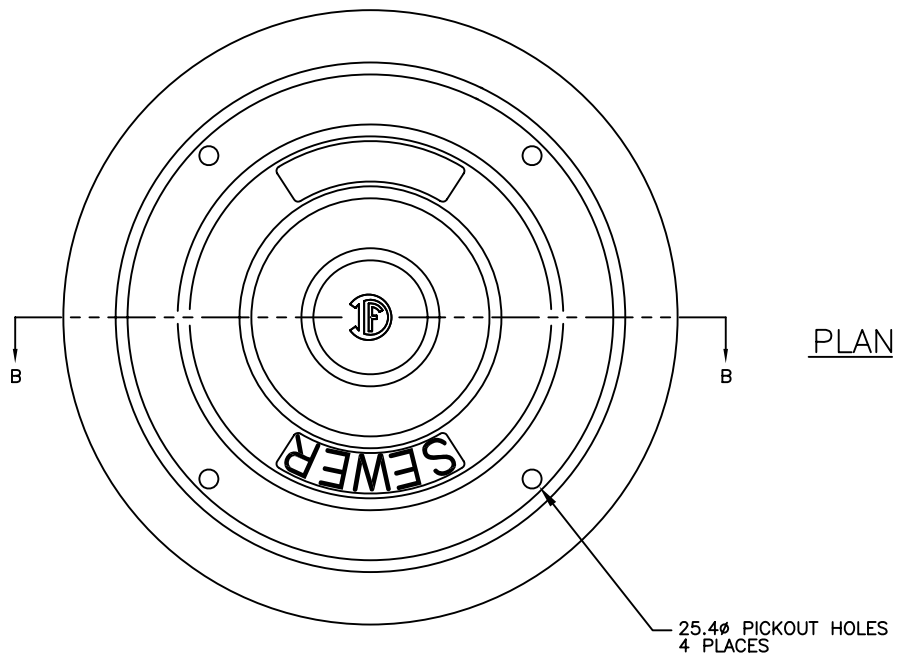


THE NONE WATERTIGHT FRAME IS REVERSABLE


MATERIAL:- CAST IRON

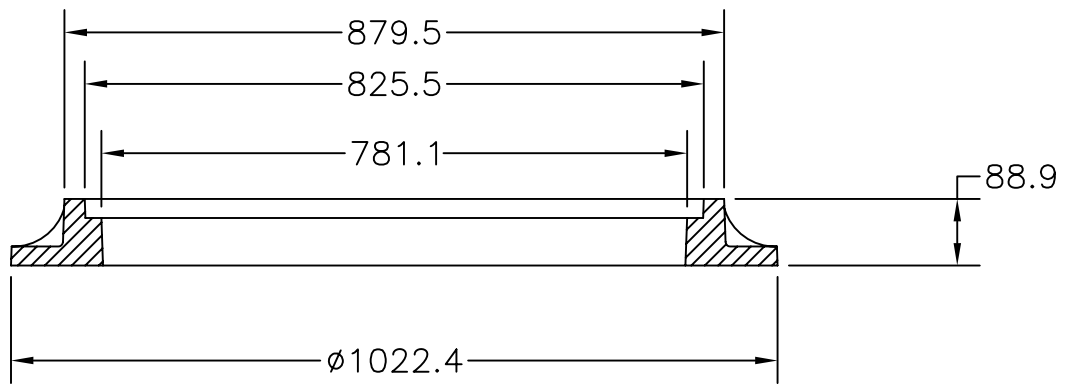
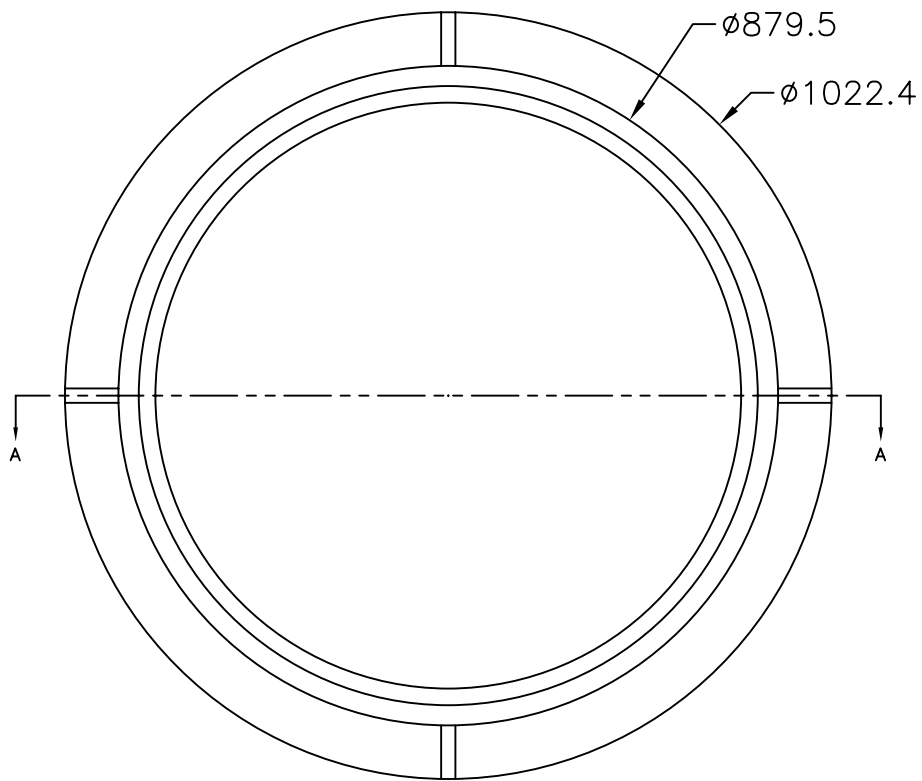
ALSO AVAILABLE IN WATERTIGHT

 DOBNEY FOUNDRY LTD. SURREY B.C.	
RATING-HWY LOAD	
FRAME	NO. C-42




APPROX WEIGHT
COVER - 273 Lbs

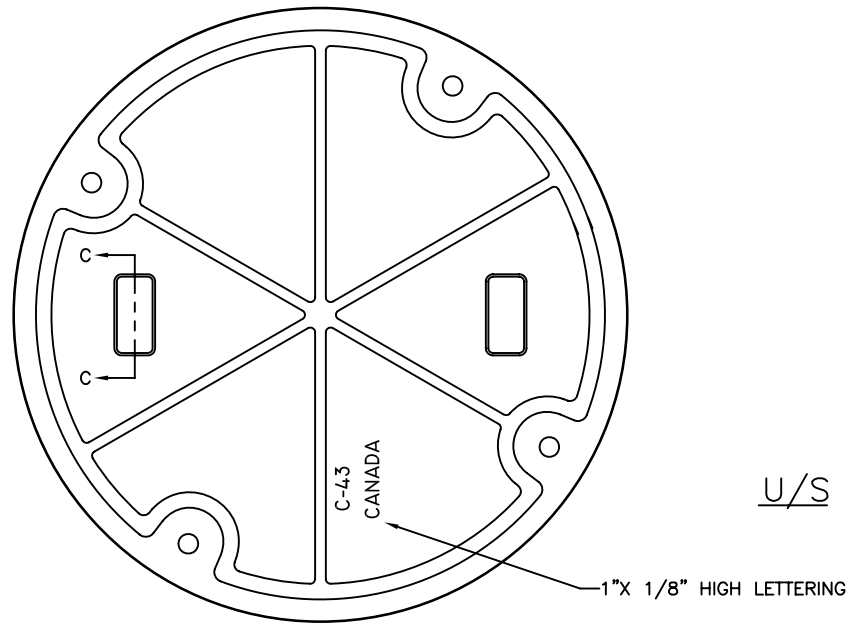
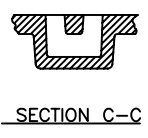
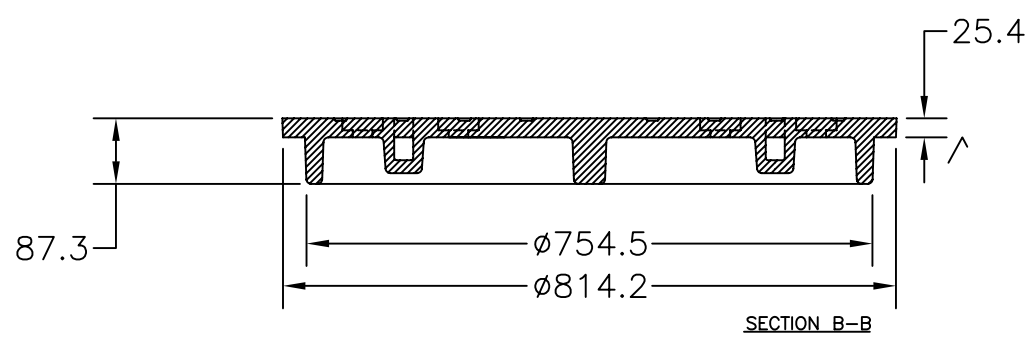
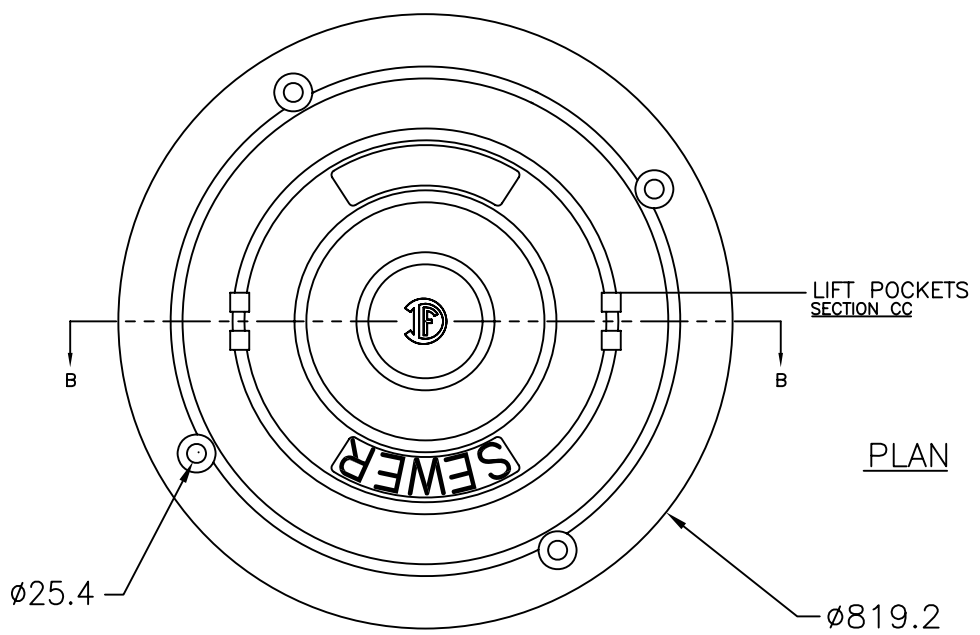
 DOBNEY FOUNDRY LTD. SURREY B.C.	
RATING-HWY LOAD	
COVER	NO. C-43




SECTION A-A

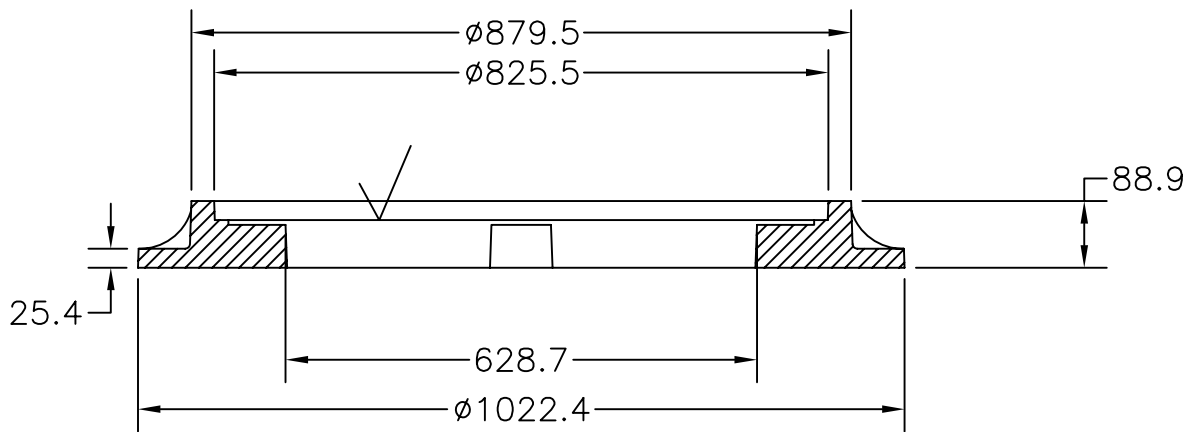
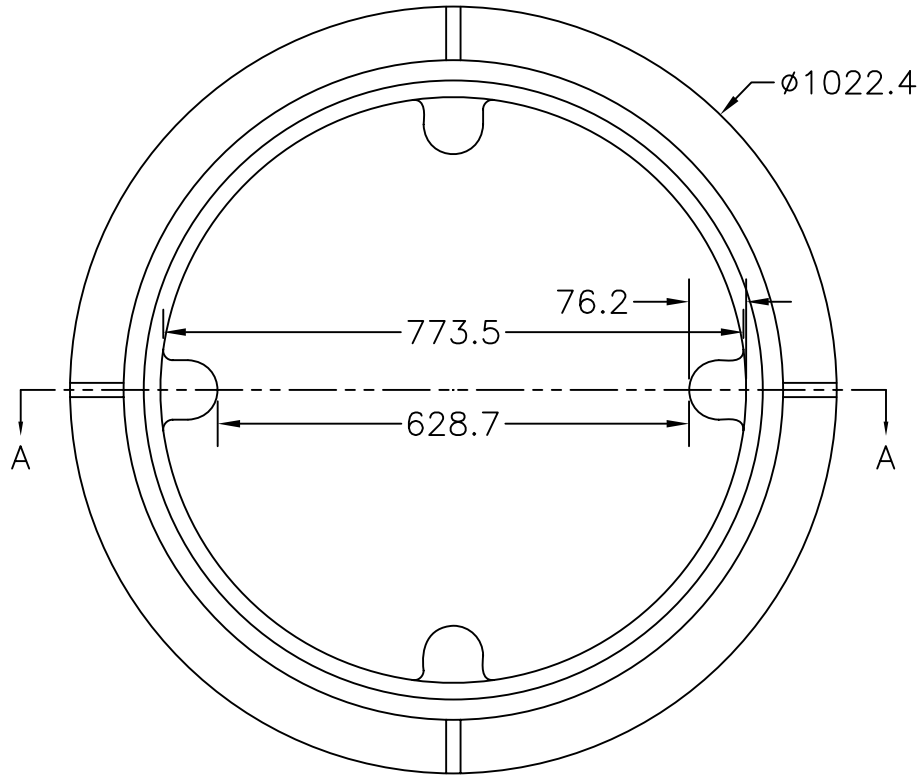
APPROX WEIGHT
FRAME - 230 Lbs.

 DOBNEY FOUNDRY LTD. SURREY B.C.	
RATING-HWY LOAD	
FRAME	NO. C-43



APPROX. WEIGHT
COVER— 125 KG

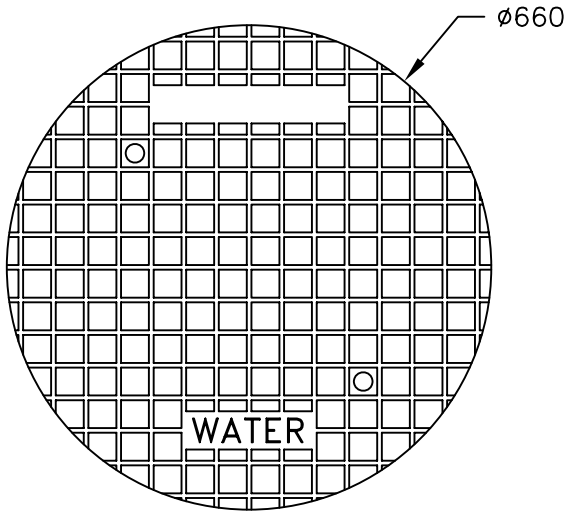
	DOBNEY FOUNDRY LTD. SURREY B.C.	
	RATING—HWY LOAD	
WATERTIGHT COVER	NO. C-43 WT	



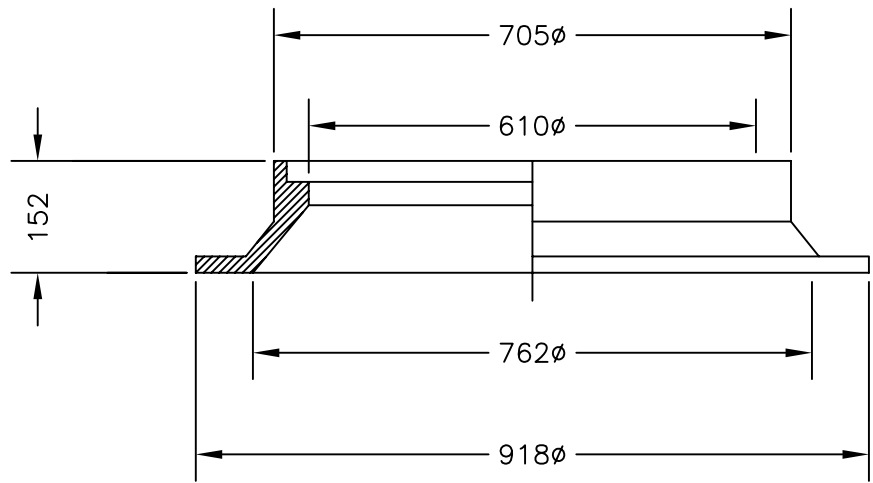
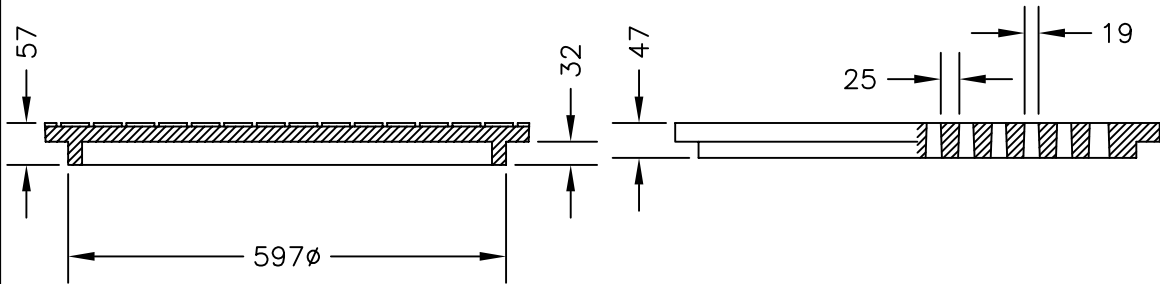
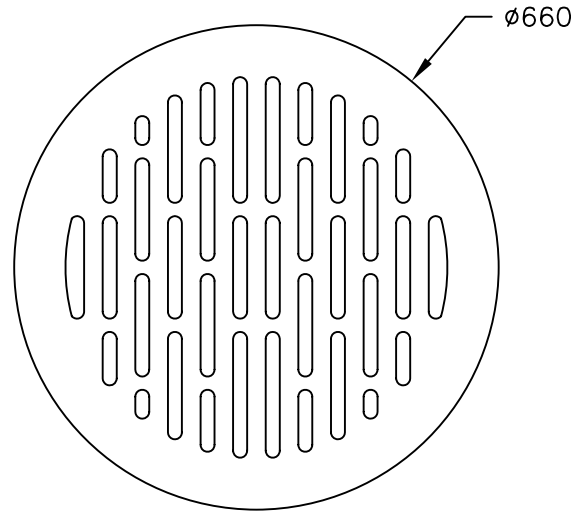
APPROX WEIGHT
FRAME - 245Lbs.

DOBNEY	DOBNEY FOUNDRY LTD. SURREY B.C.	
	RATING-HWY LOAD	
WATERTIGHT FRAME		NO. C-43 WT

COVER



GRATE



FRAME

APPROX WEIGHTS:

FRAME- 99 Kg

COVER- 74 Kg

GRATE- 72 Kg

NOTES:

1. ALL METAL BEARING SURFACES BETWEEN FRAME AND COVER MACHINED TO ENSURE GOOD SEATING

DOBNEY

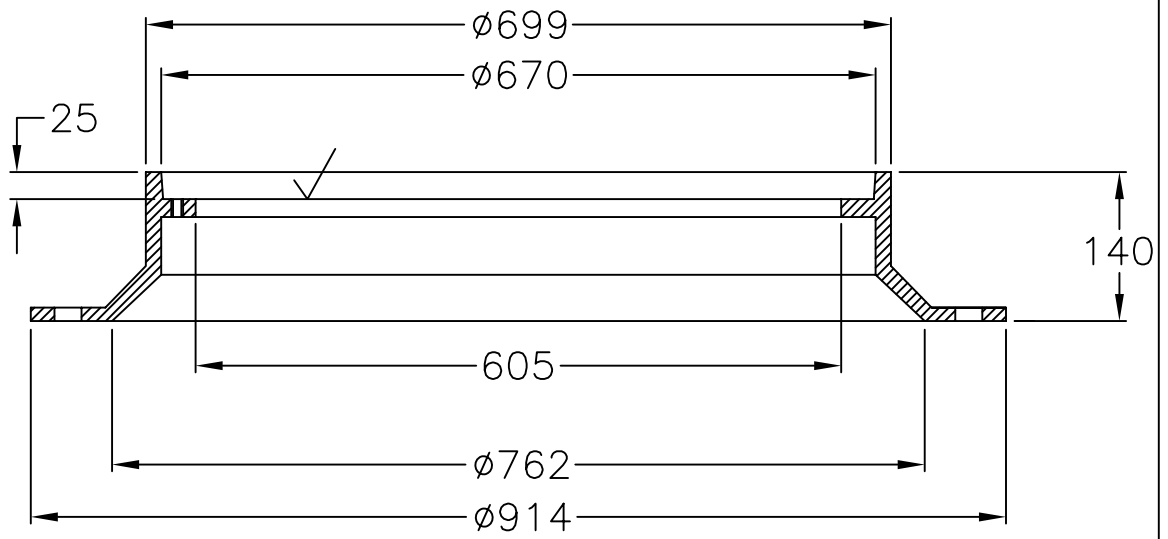
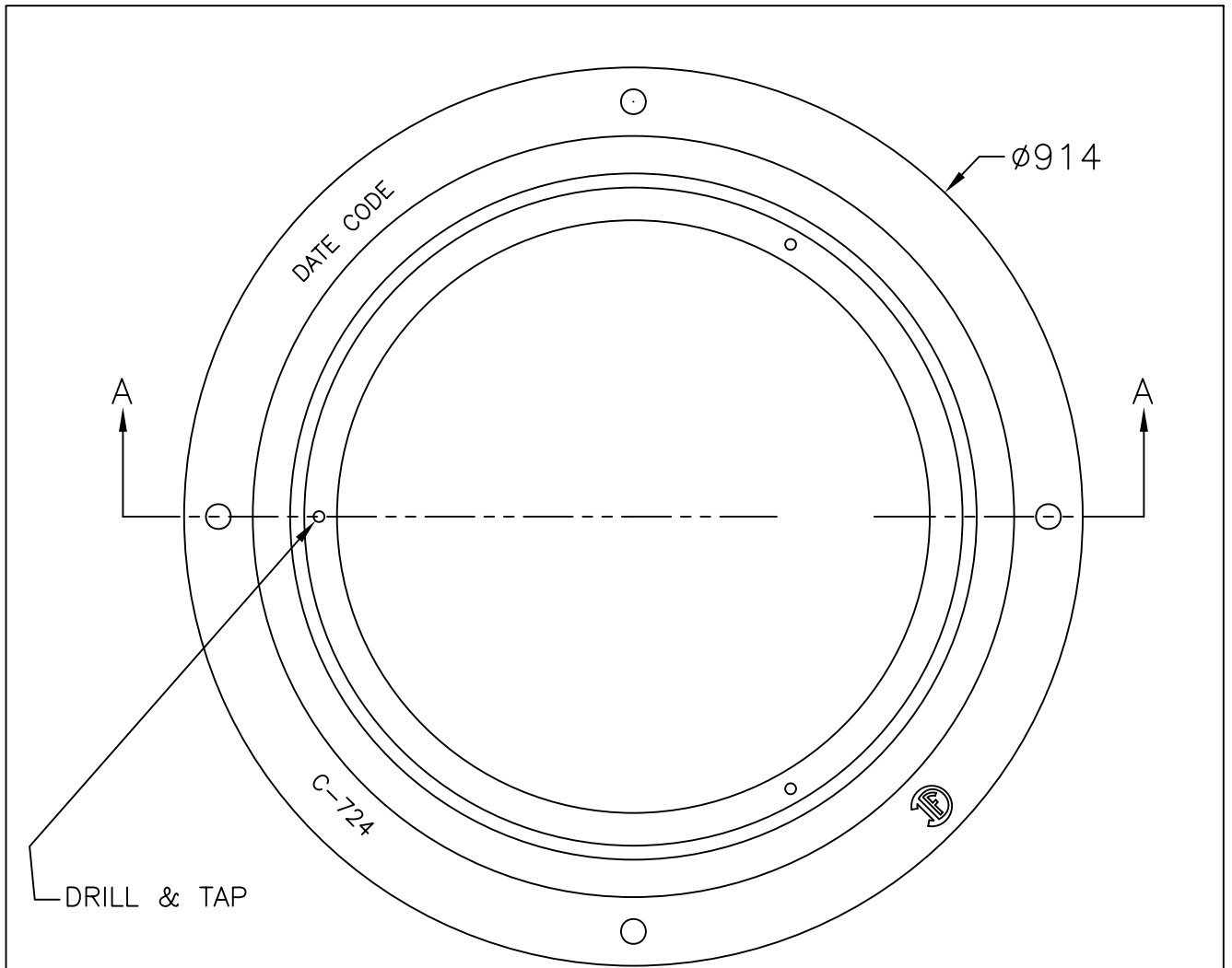
DOBNEY FOUNDRY LTD.
SURREY B.C.

RATING-HWY LOAD


FRAME, GRATE AND COVER

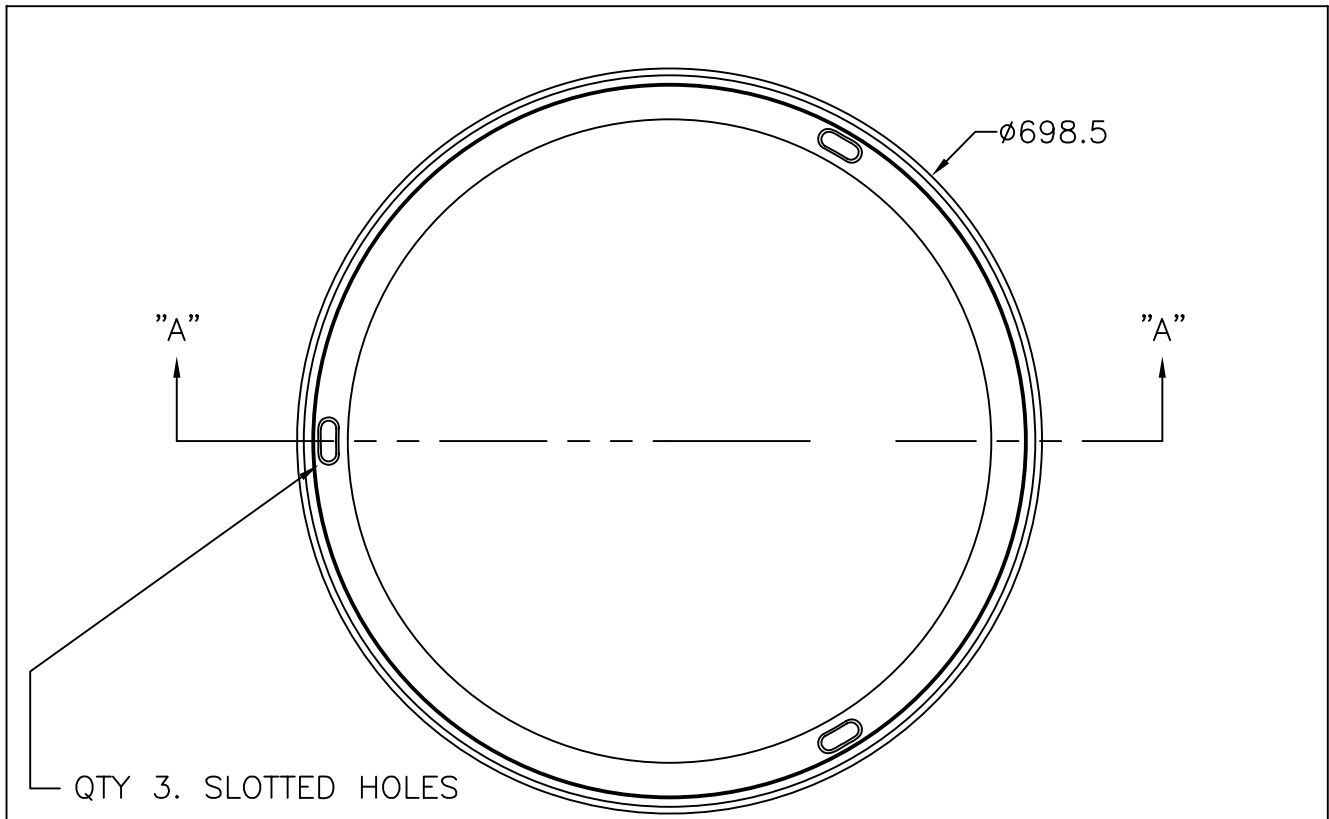
NO.

C-44A

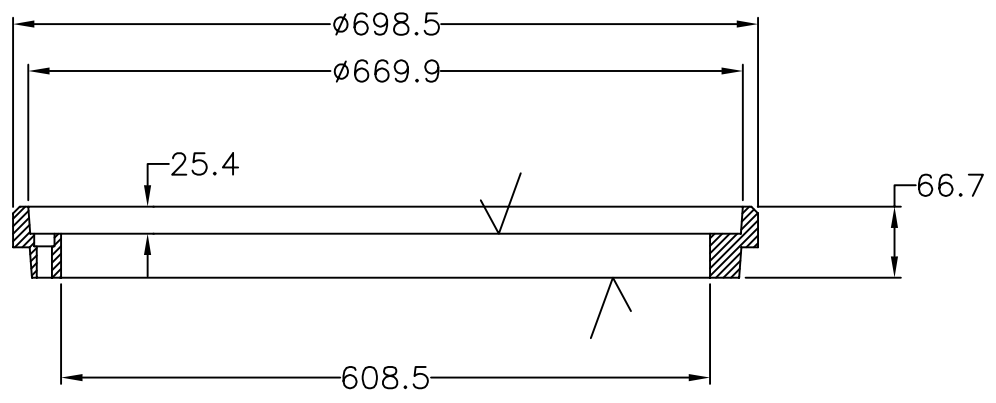


CLASS 25B IRON
 APPROX. WEIGHT:-58KG.


 DOBNEY FOUNDRY LTD. SURREY B.C.	
RATING-HWY LOAD	
724 FRAME	NO. C-724F

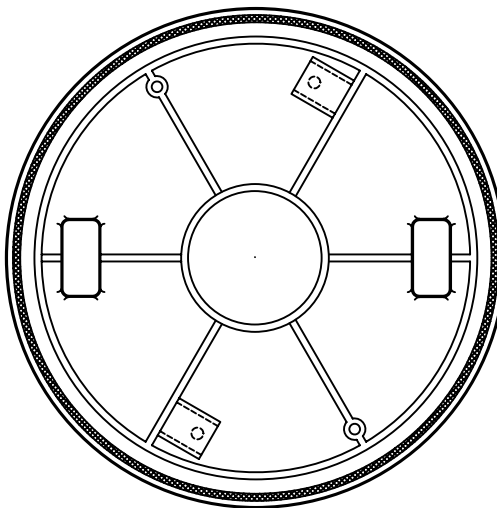
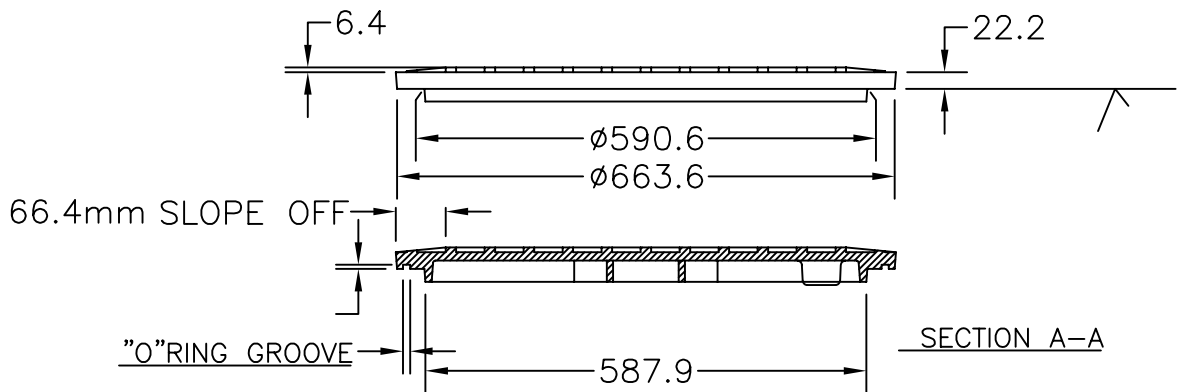
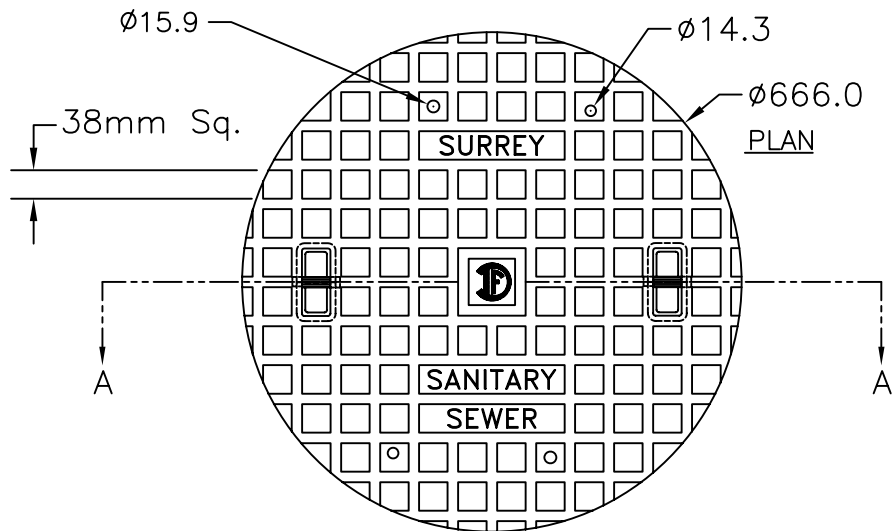


QTY 3. SLOTTED HOLES



MATERIAL:- BAINITE
WEIGHT:- 24KG

 DOBNEY FOUNDRY LTD. SURREY B.C.	
RATING-HWY LOAD	
BAINITE RING	NO. C-724R



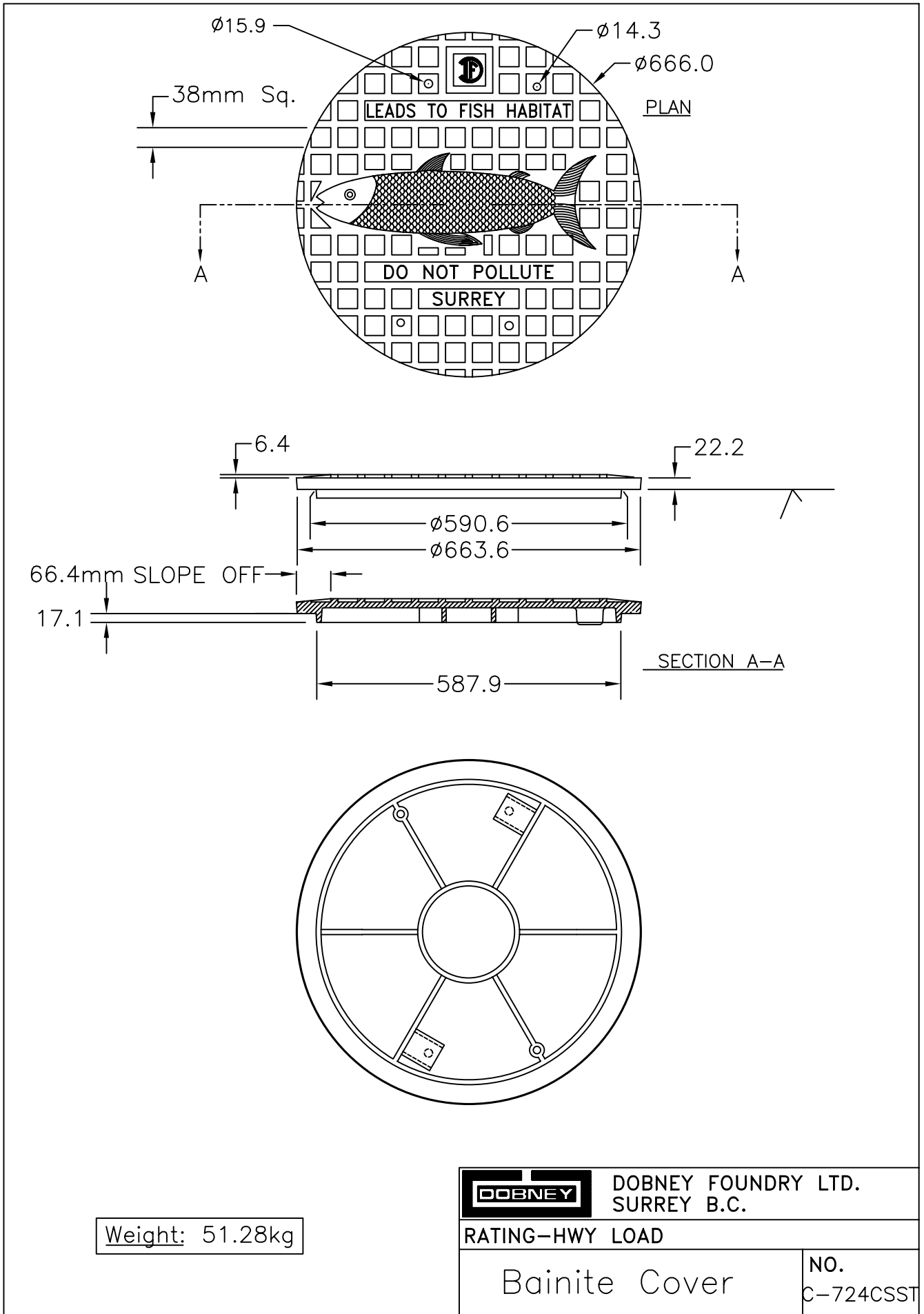
Weight: 51.28kg

DOBNEY DOBNEY FOUNDRY LTD.
SURREY B.C.

RATING-HWY LOAD

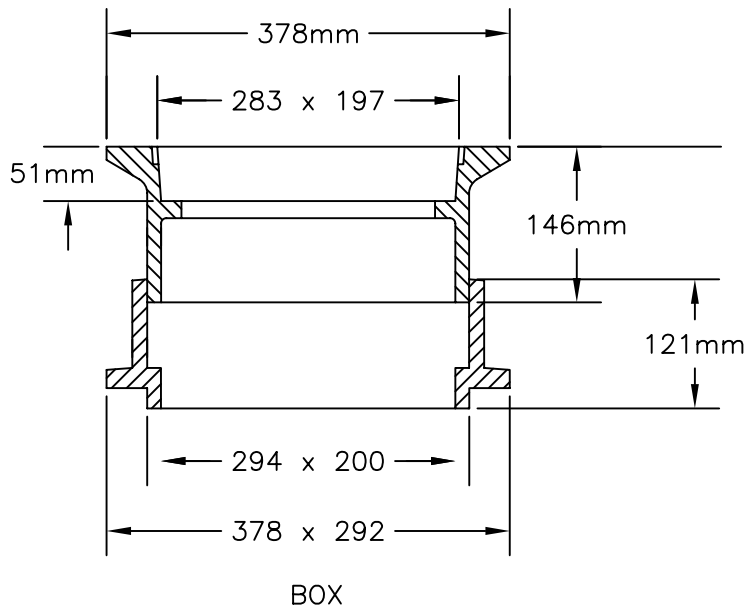
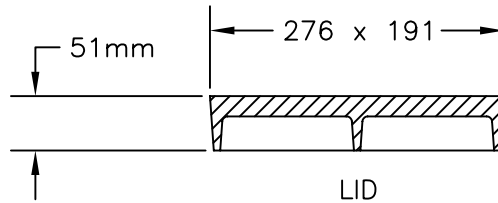
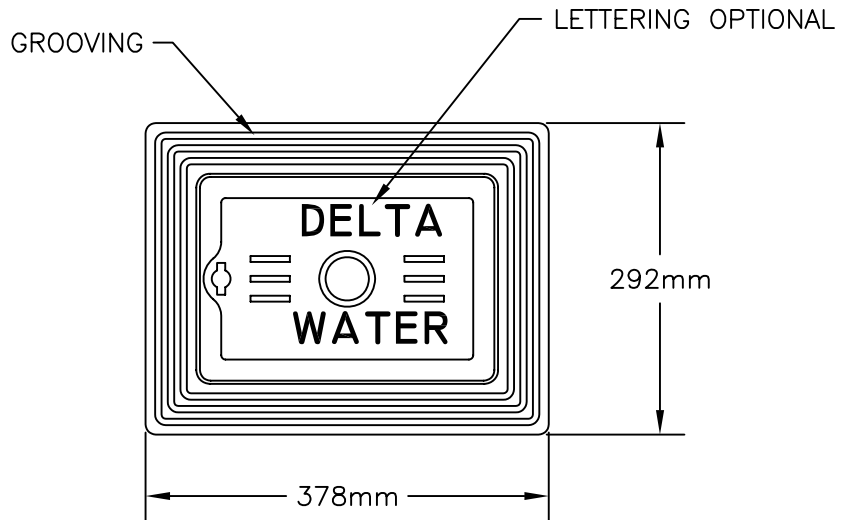
Bainite Cover

NO.
C-724CSS



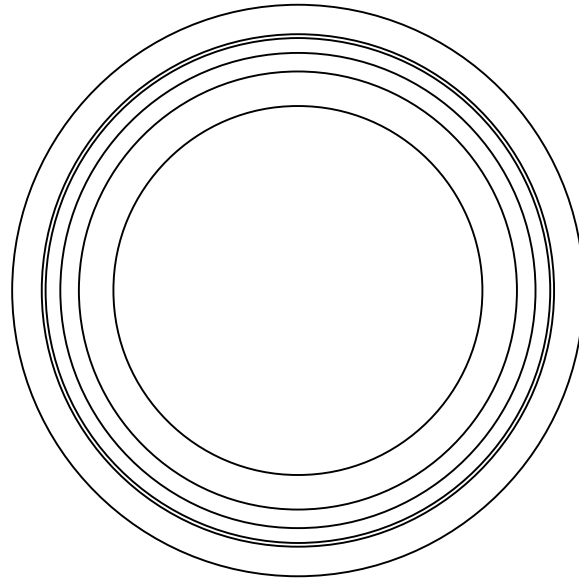
Weight: 51.28kg

DOBNEY	DOBNEY FOUNDRY LTD. SURREY B.C.	
	RATING-HWY LOAD	
Bainite Cover		NO. C-724CSST

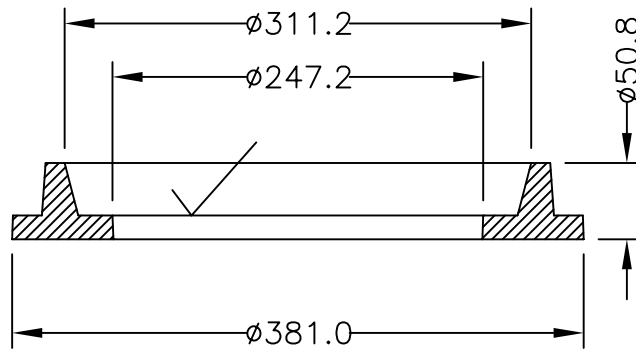


APPROX. WEIGHT
 LID - 11Kg
 BOX TOP - 20Kg
 BOX BOT. - 16Kg


DOBNEY	SURREY B.C. DOBNEY FOUNDRY LTD.	
	RATING:- HWY LOAD	
TELESCOPIC VALVE BOX	NO. D-1	



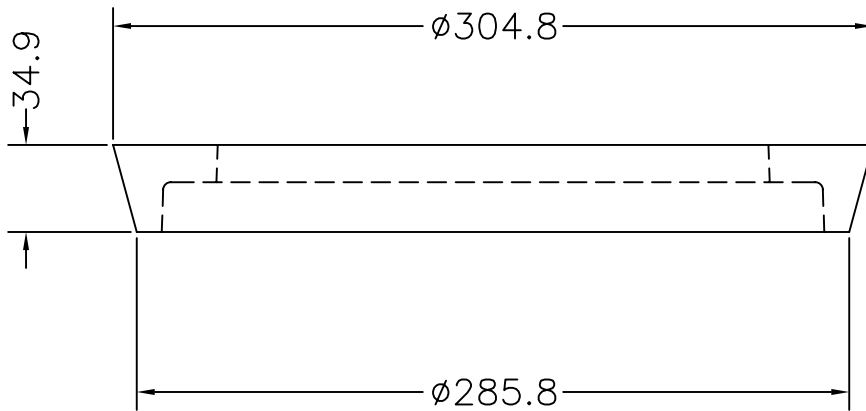
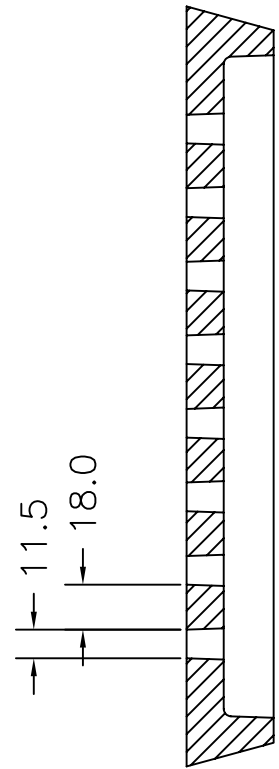
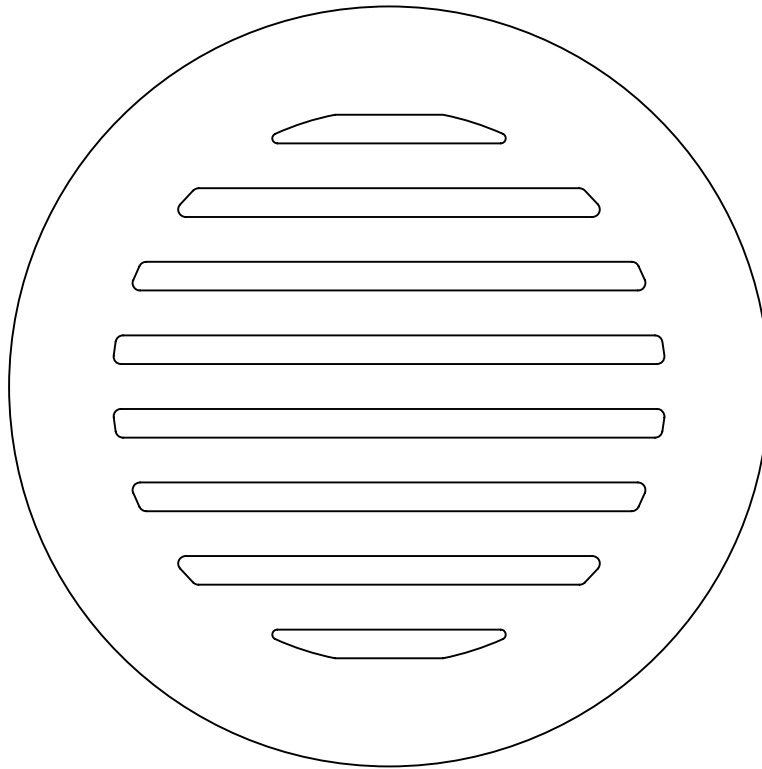
PLAN




APPROX. WEIGHT
FRAME— 11 kg

 DOBNEY FOUNDRY LTD. SURREY B.C.	
RATING—HWY LOAD	
FRAME	NO. D-2

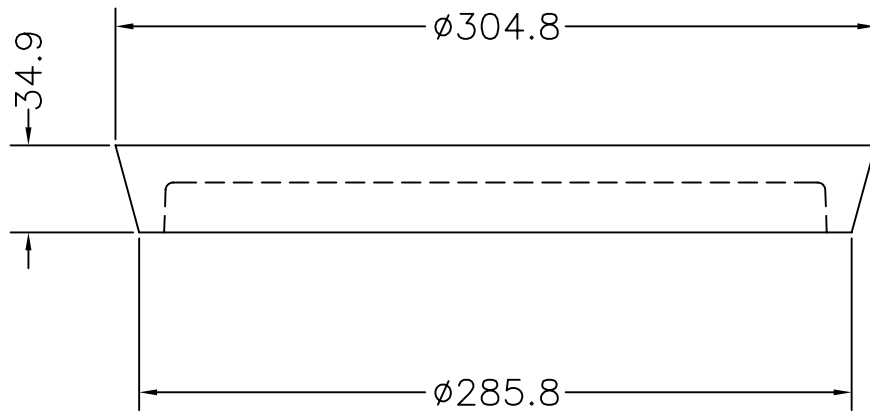
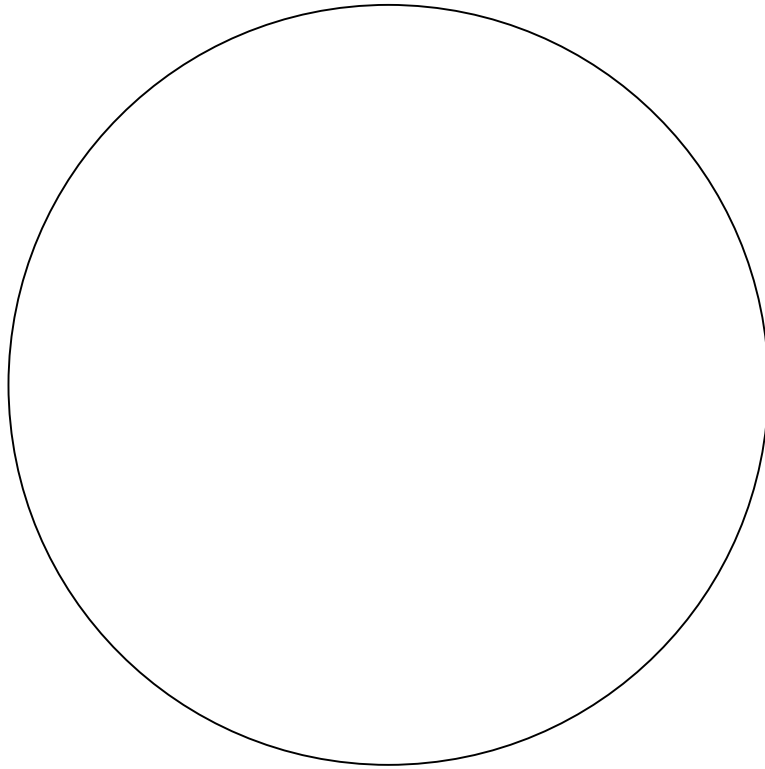
PLAN




APPROX. WEIGHT
6 KG

 DOBNEY FOUNDRY LTD. SURREY B.C.	
RATING-HWY LOAD	
GRATE	NO. D-2

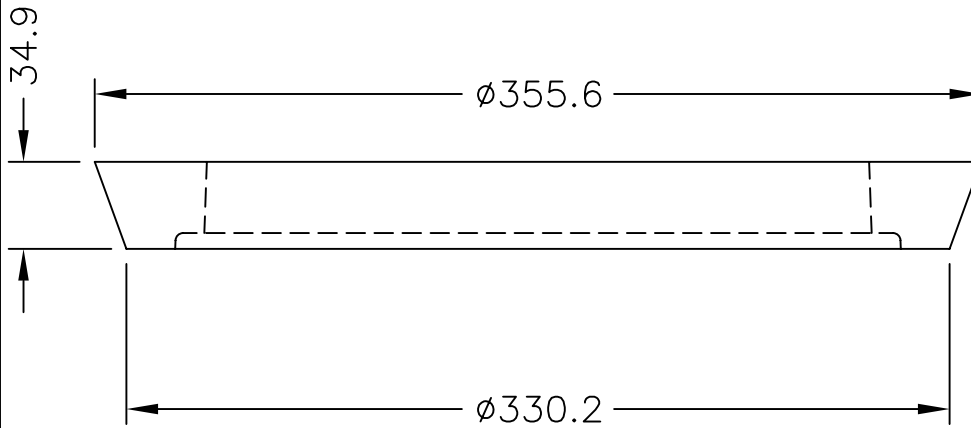
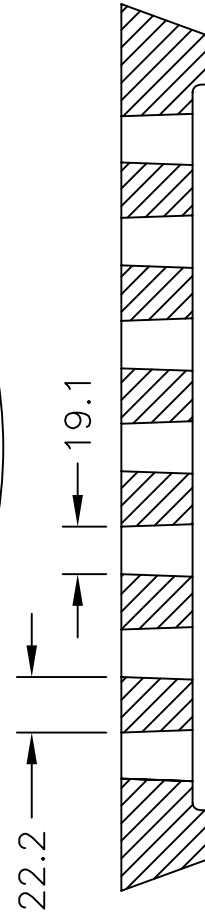
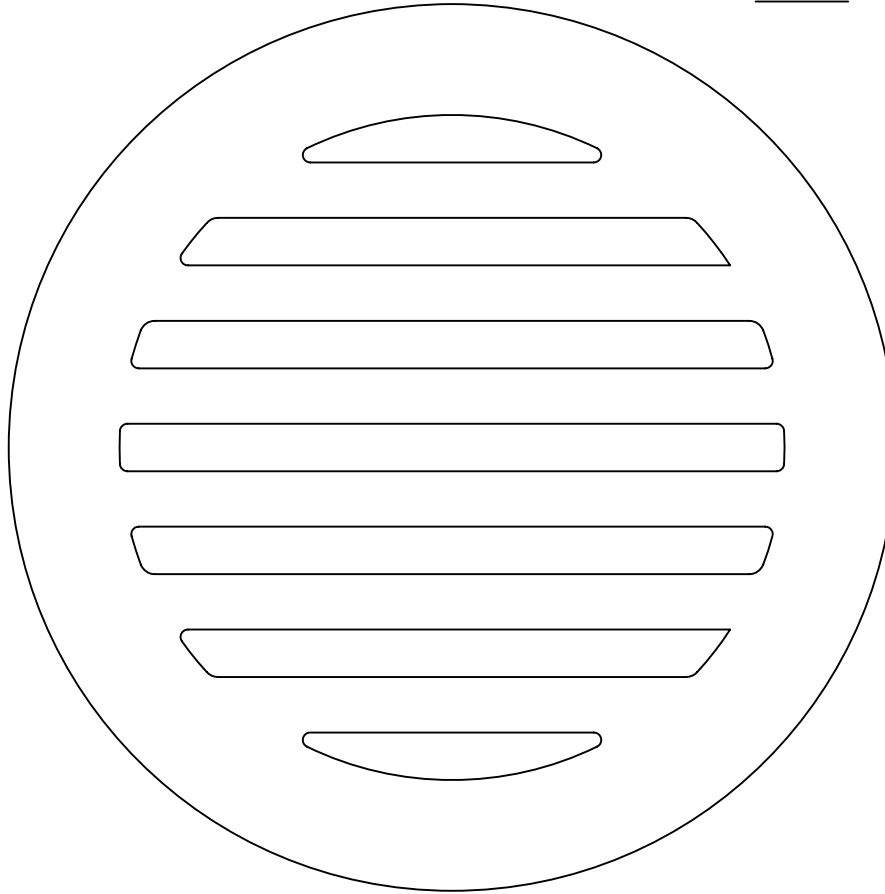
PLAN




APPROX. WEIGHT
6 KG

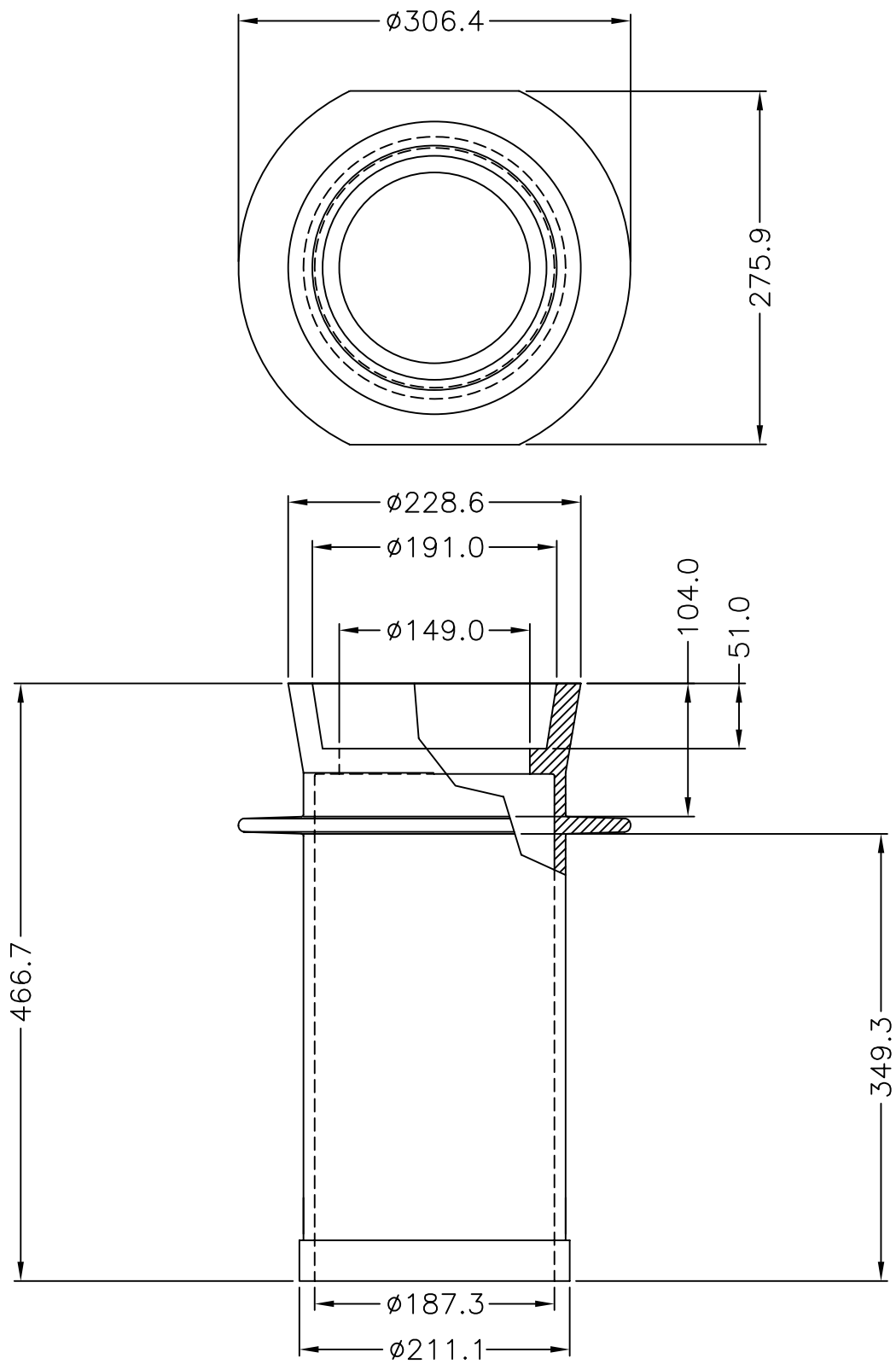
 DOBNEY FOUNDRY LTD. SURREY B.C.	
RATING-HWY LOAD	
COVER	NO. D-2


PLAN

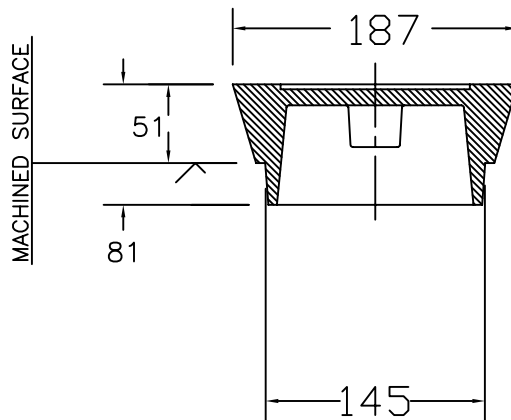
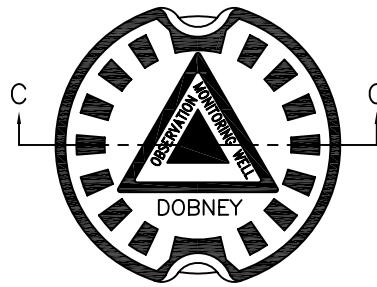
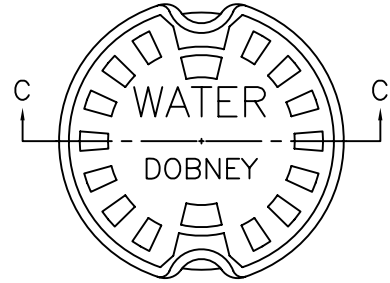
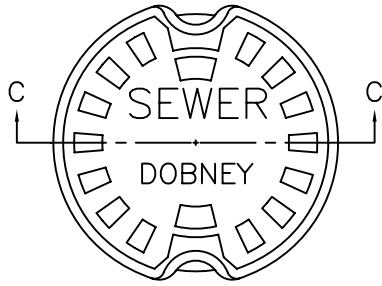


APPROX. WEIGHT
10 KG

	DOBNEY FOUNDRY LTD. SURREY B.C.
RATING-HWY LOAD	
GRATE	NO. D-2B




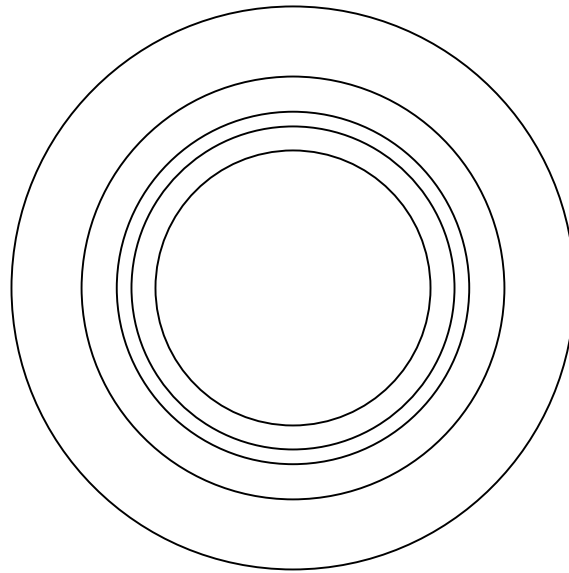
 DOBNEY FOUNDRY LTD. SURREY B.C.	
RATING-HWY LOAD	
NELSON BODY	NO. D-5



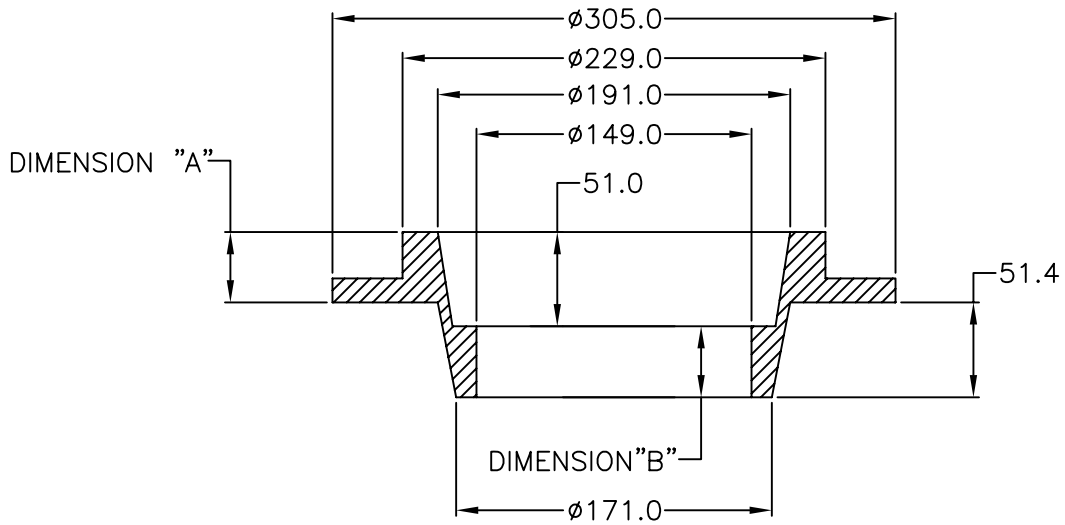
SECTION C-C

WEIGHT:
APPROX. 6 kg

 DOBNEY FOUNDRY LTD. SURREY B.C.	
RATING— HWY LOAD	
VALVE BOX LID	NO. D-5



PLAN



DIMENSION "A"		DIMENSION "B"	
INCH	METRIC	INCH	METRIC
1 1/2"	38.1	1.515"	38.5
2"	50.8	2.02"	51.2
2 1/4"	57.2	2.27"	57.6

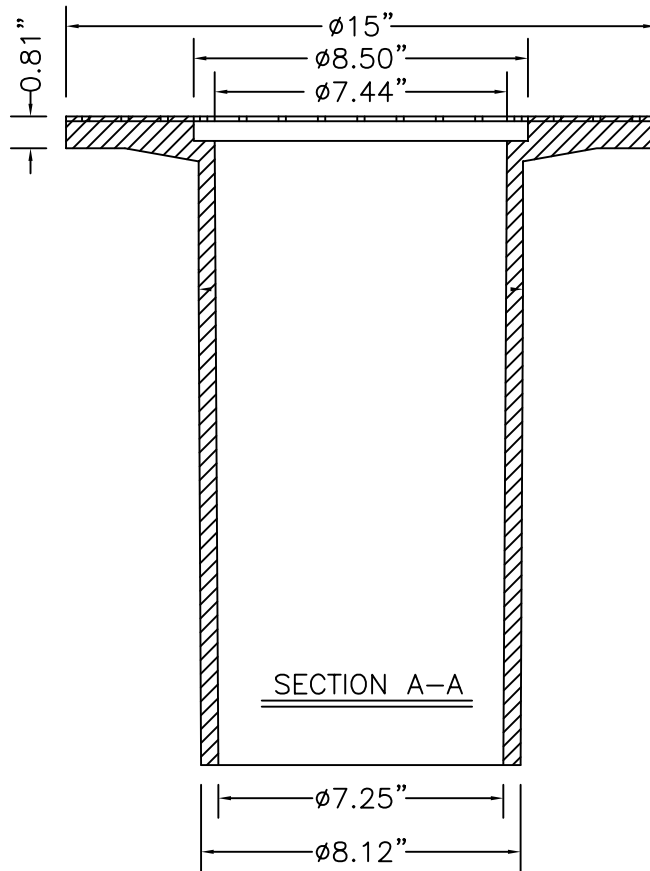
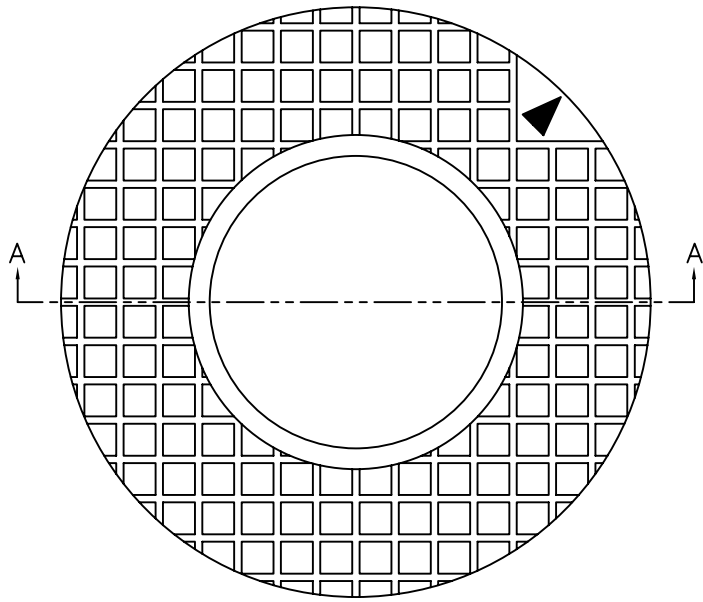


DOBNEY FOUNDRY LTD.
SURREY B.C.


RATING-HWY LOAD

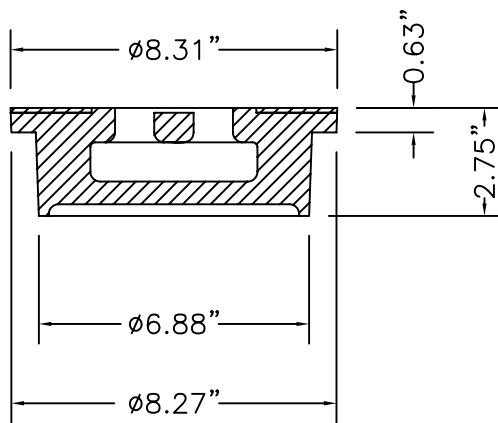
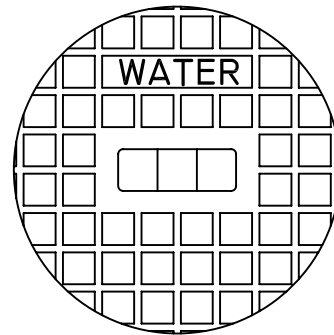
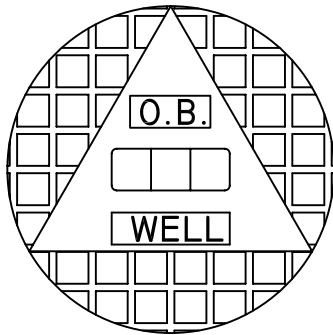
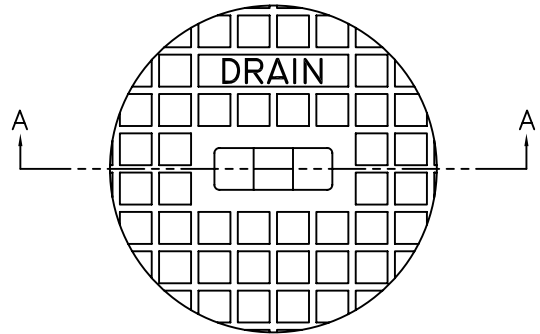
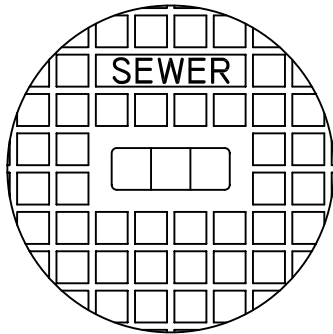
NELSON VALVE BOX
EXTENSION RING

NO.
D-5A




WEIGHT:
APPROX 64Lbs

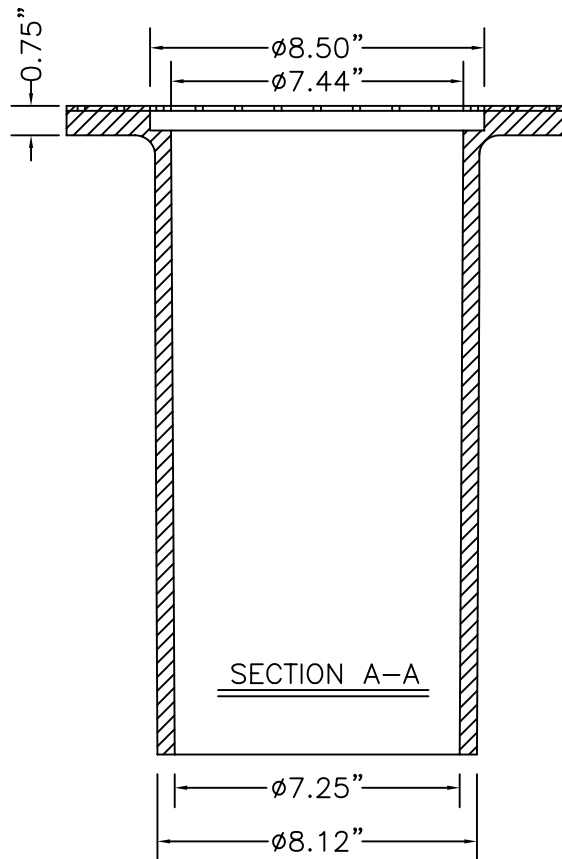
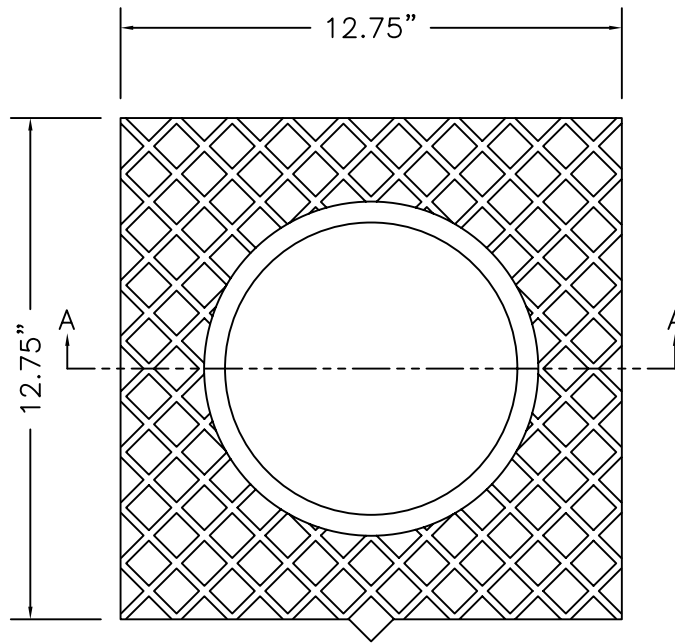
	DOBNEY FOUNDRY LTD. SURREY B.C.	
	RATING—HWY LOAD	
ROBAR VALVE BOX	NO. D-6	



SECTION A-A

LIDS TO BE USED IN BOTH
D-6 AND D-6A BODIES

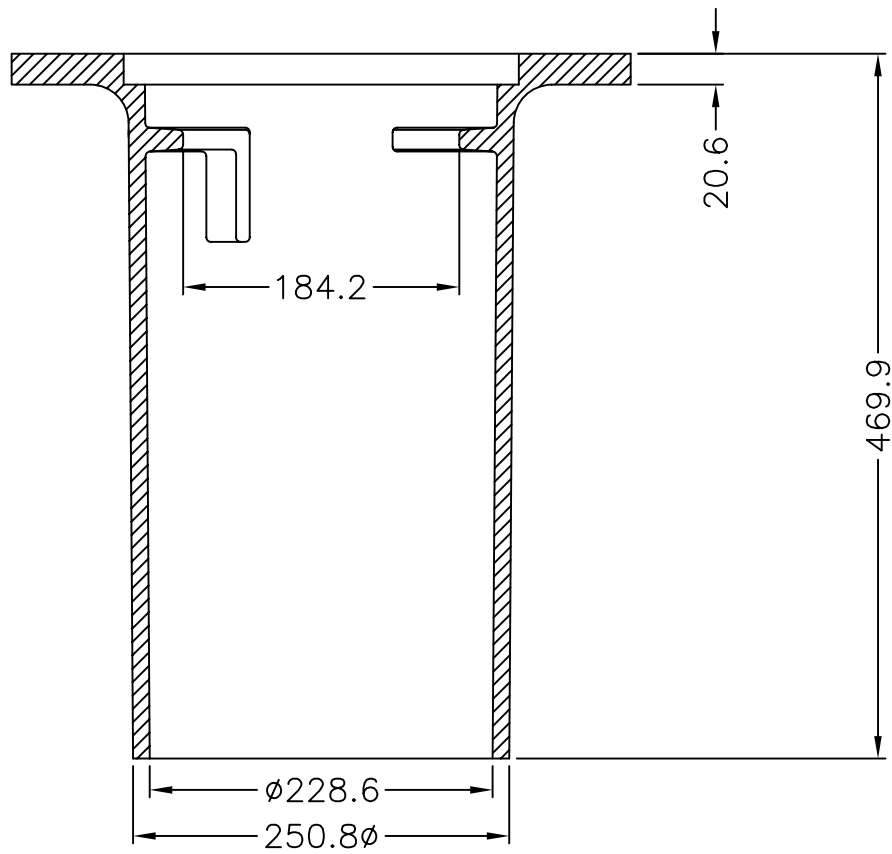
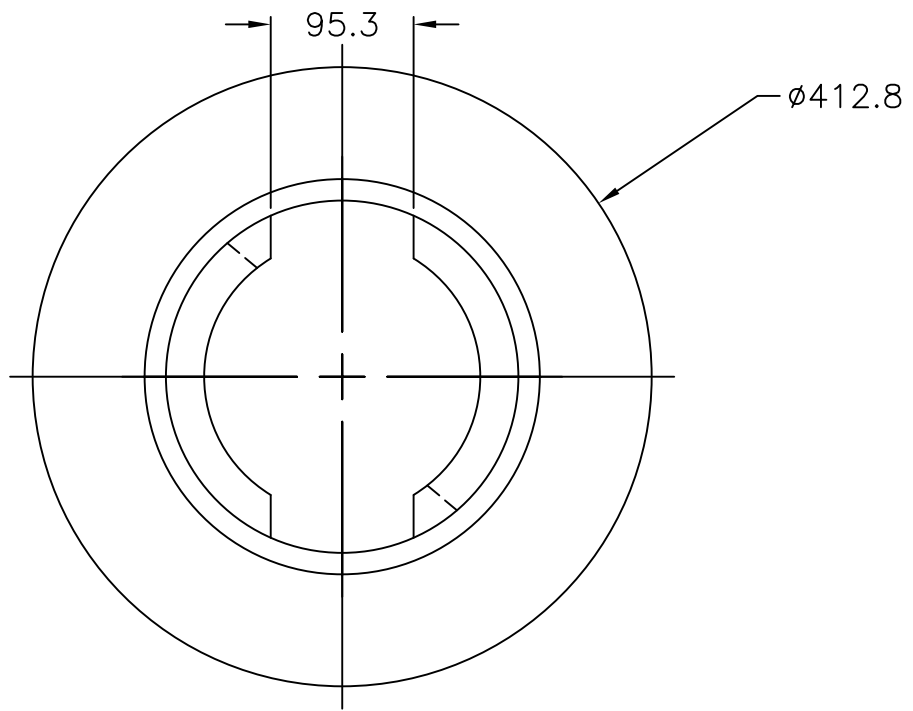
 DOBNEY FOUNDRY LTD. SURREY B.C.	
RATING- HWY LOAD	
ROBAR VALVEBOX LID	NO. D-6




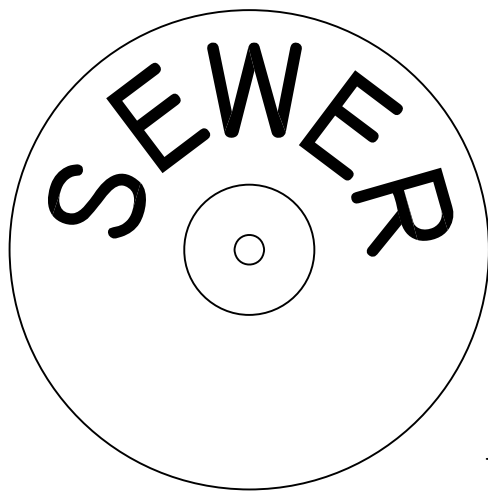
WEIGHT:
APPROX 64Lbs

THIS VALVE BOX USES A D-6 LID

DOBNEY		DOBNEY FOUNDRY LTD. SURREY B.C.	
RATING— HWY LOAD			
ROBAR VALVE BOX			NO. D-6A



 DOBNEY FOUNDRY LTD. SURREY B.C.	
RATING-HWY LOAD	
LAMP POLE BODY	NO. D-7

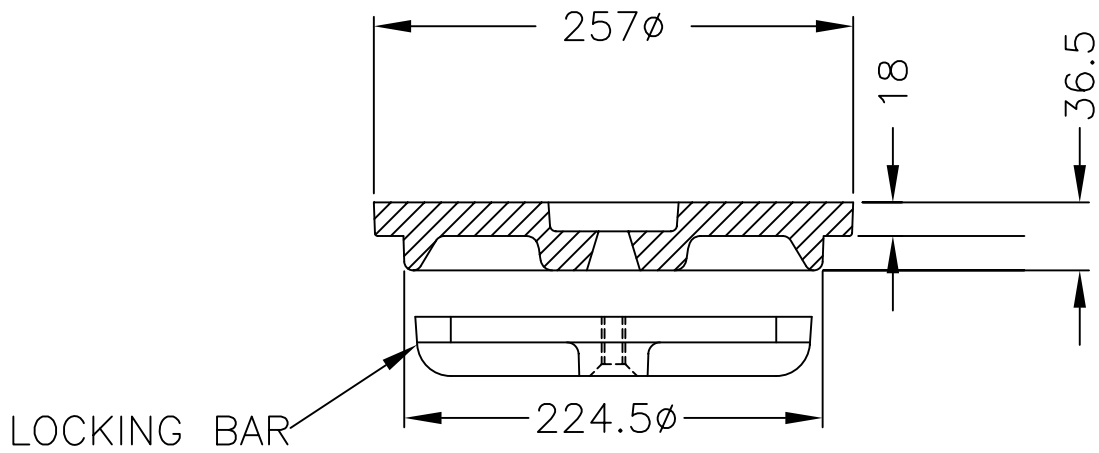


OR



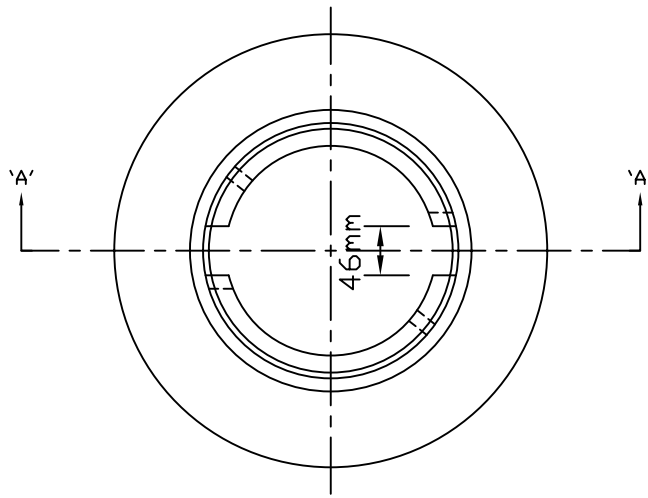
$\phi 257.2$

PLAN

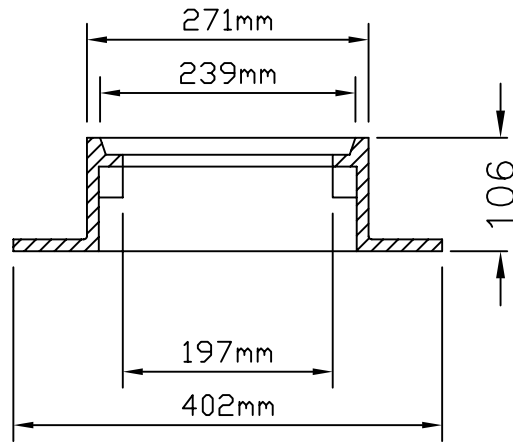


LOCKING BAR

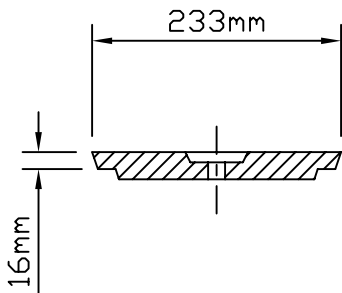
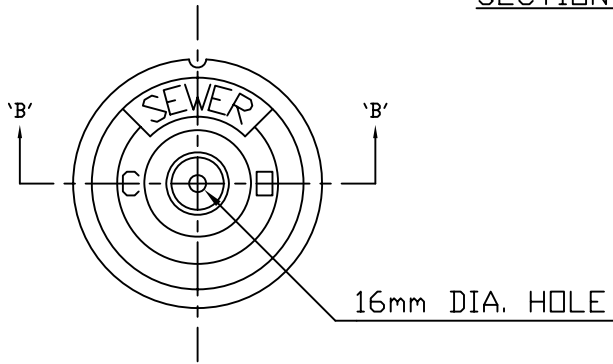
DOBNEY DOBNEY FOUNDRY LTD. SURREY B.C.	
RATING:- HWY LOAD	
LID	NO. D-7



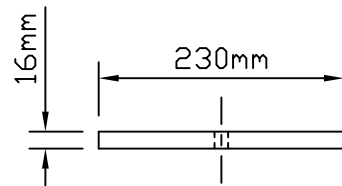
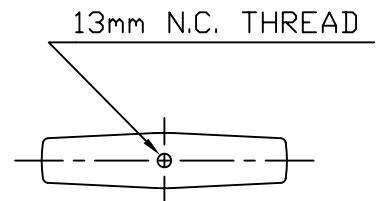
PLAN



SECTION A-A



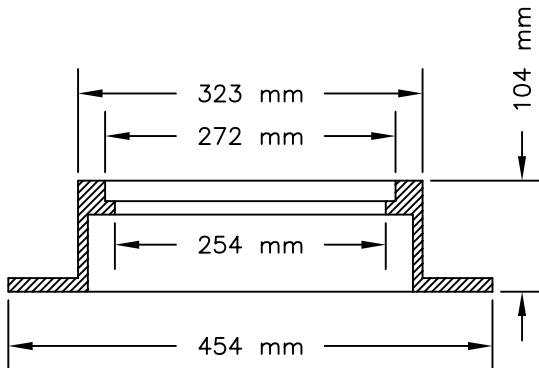
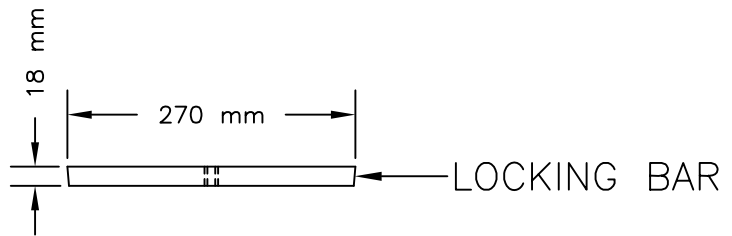
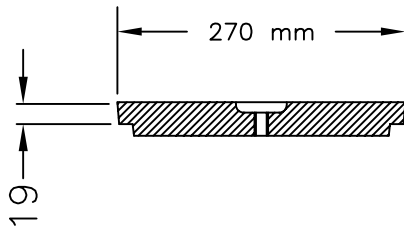
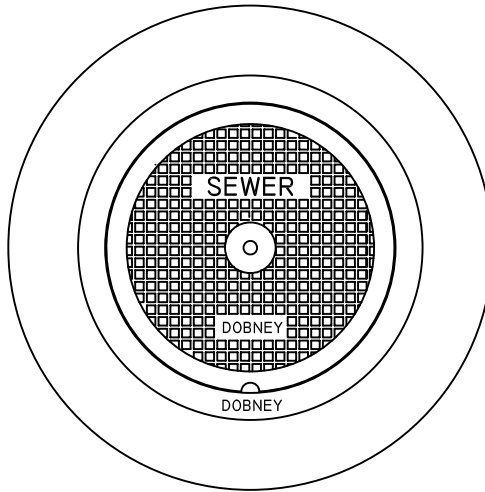
SECTION B-B




LOCKING BAR

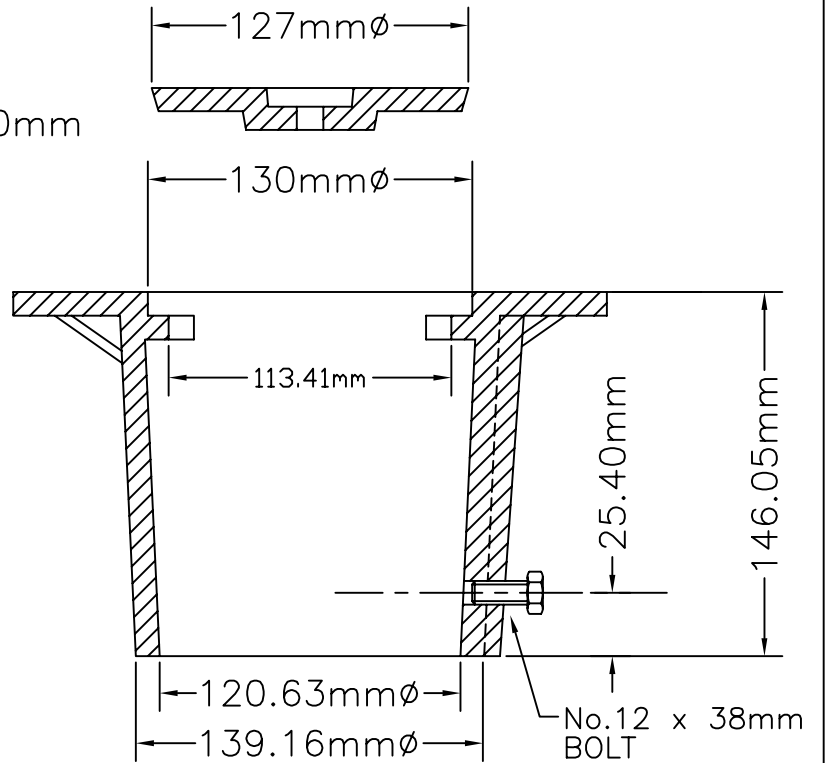
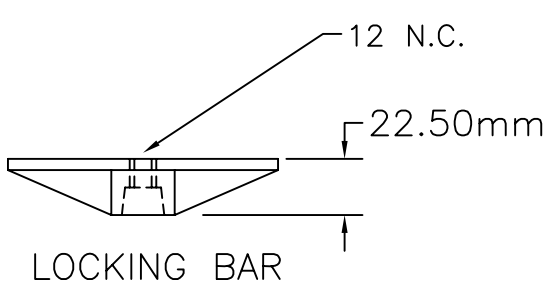
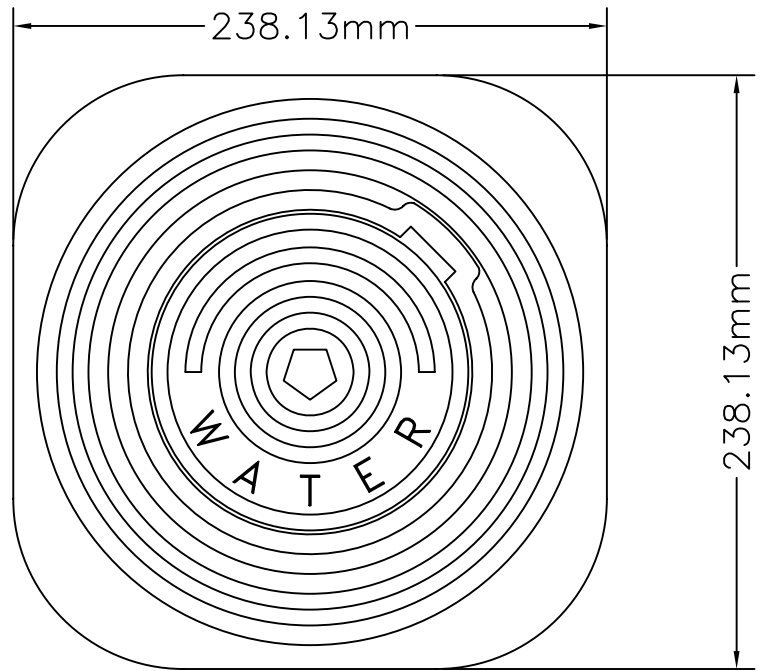
APPROX. WT.
27KG

DOBNEY		DOBNEY FOUNDRY LTD. SURREY B.C.	
RATING-HWY LOAD			
200 CLEANOUT		NO. D-14A	



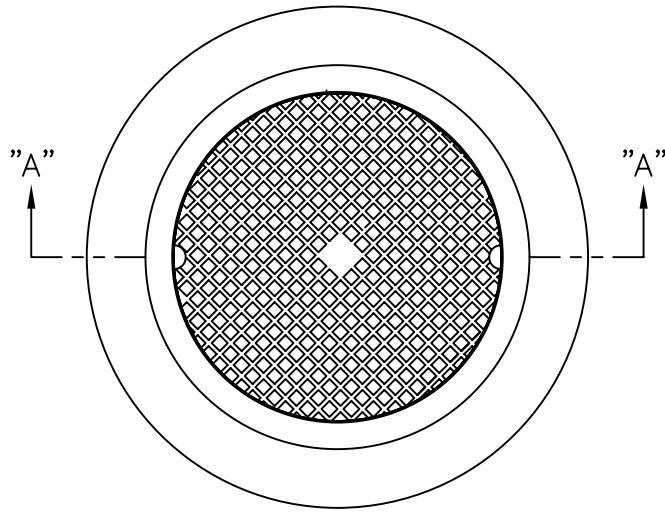
Weight: 32KG

 DOBNEY FOUNDRY LTD. SURREY B.C.	
RATING-HWY LOAD	
250 CLEANOUT	NO. D-14C

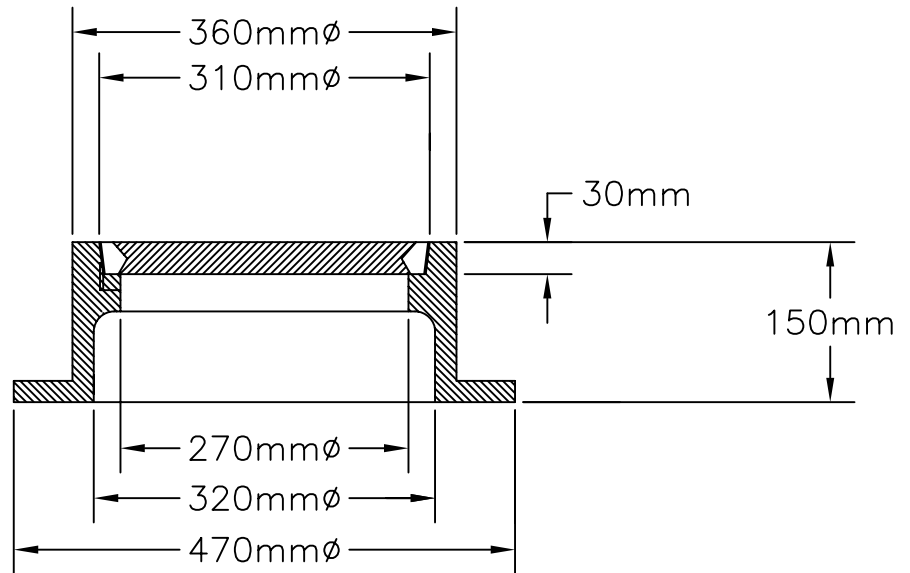


APPROX. WEIGHT
9 KG


DOBNEY DOBNEY FOUNDRY LTD. SURREY B.C.	
RATING-HWY LOAD	
FLAT TOP SERVICE BOX	NO. D-15

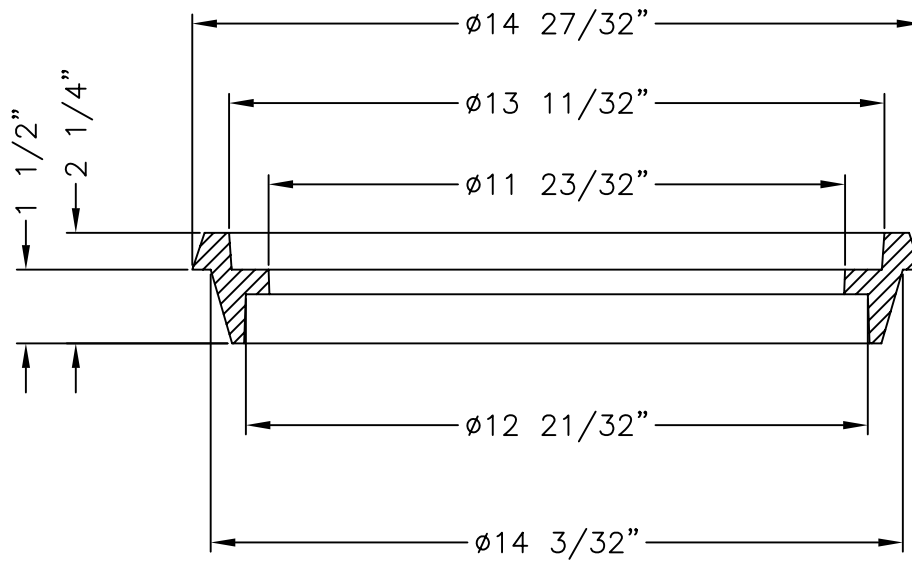
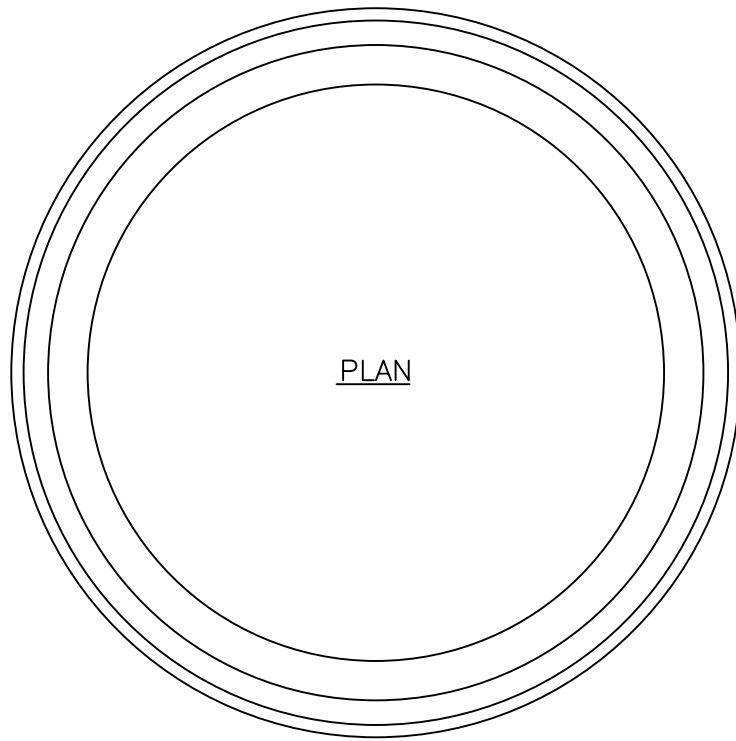


PLAN



SECTION A-A

 SURREY B.C. DOBNEY FOUNDRY LTD.	
RATING-HWY LOAD	
SURVEY MONUMENT BOX CASTING DETAIL TYPE 1	No. D-17



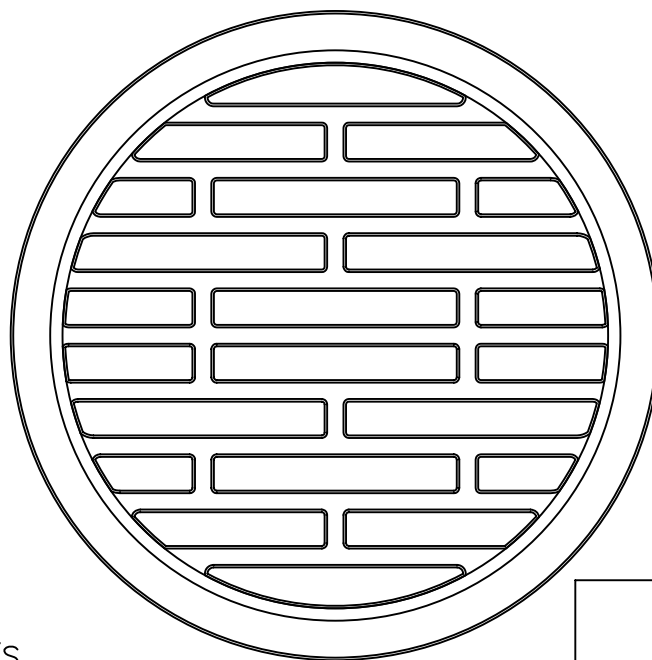
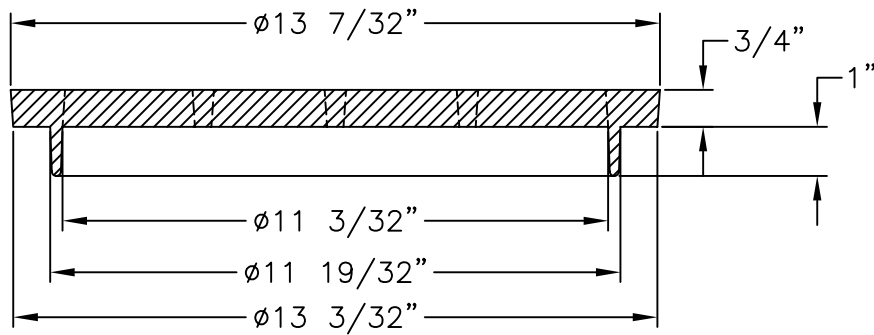
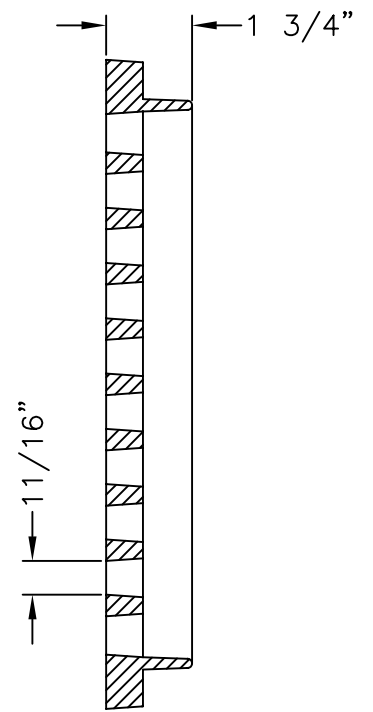
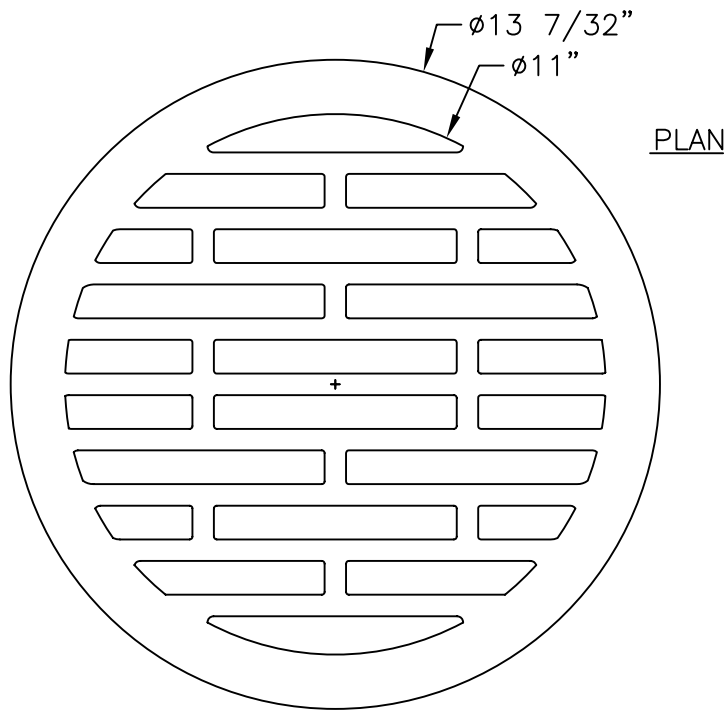
DOBNEY FOUNDRY LTD.

13101-78A AVE.
SURREY, B.C. V3W 9B6

LOADING : H-20

12' GRATE

NO.
D-22F



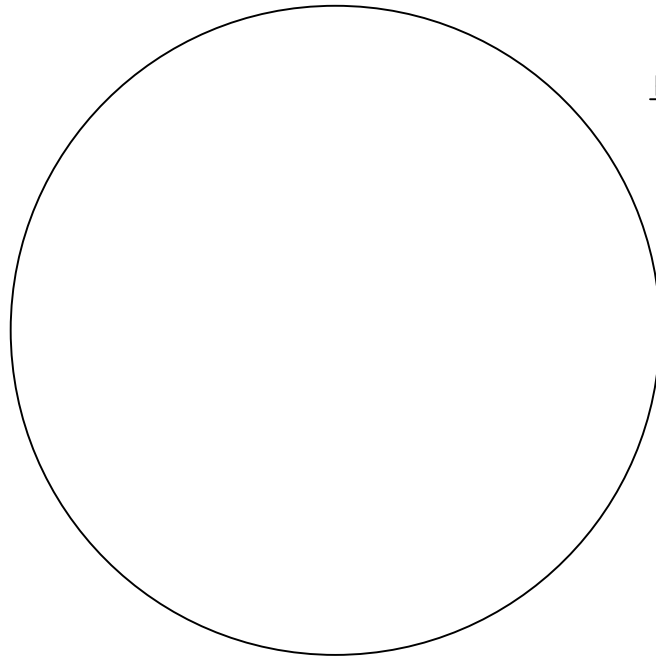
© 1998-DOBNEY FOUNDRY LTD. All rights reserved
 No part of this drawing may be reproduced or transmitted in any form or by any means without the written consent of DOBNEY FOUNDRY LTD.

DOBNEY FOUNDRY LTD.

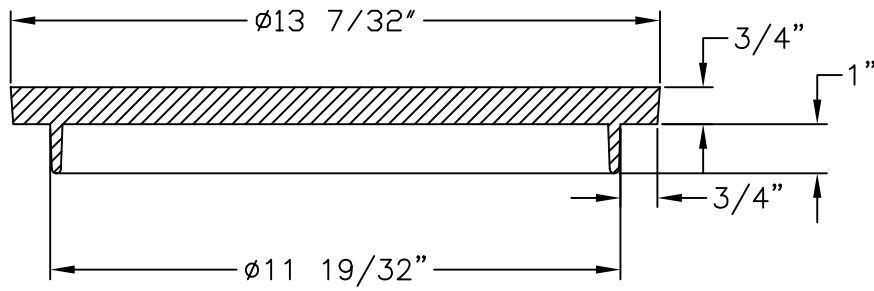
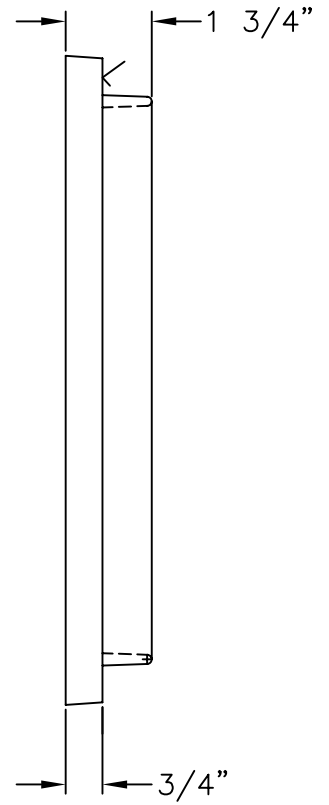
13101-78A AVE.
 SURREY, B.C. V3W 9B6

12" GRATE

NO.
 D-22G



PLAN

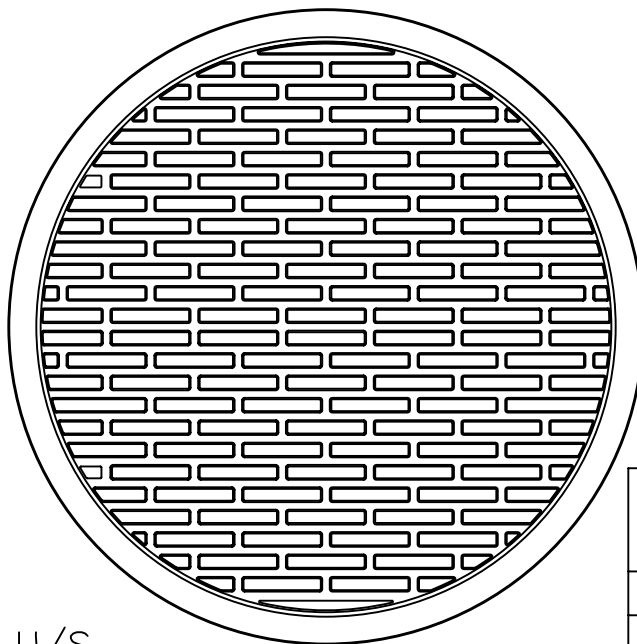
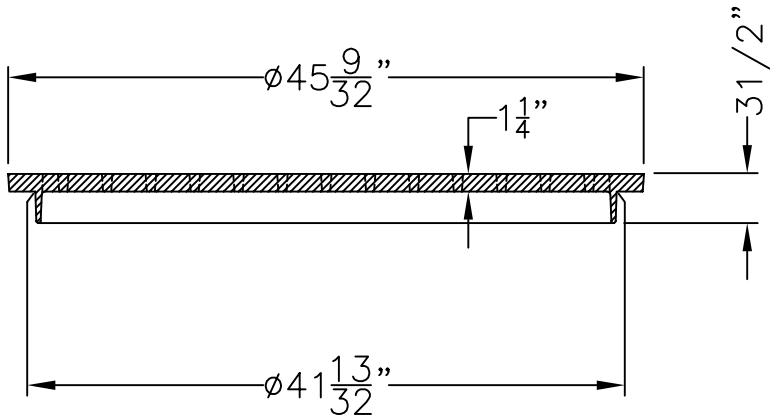
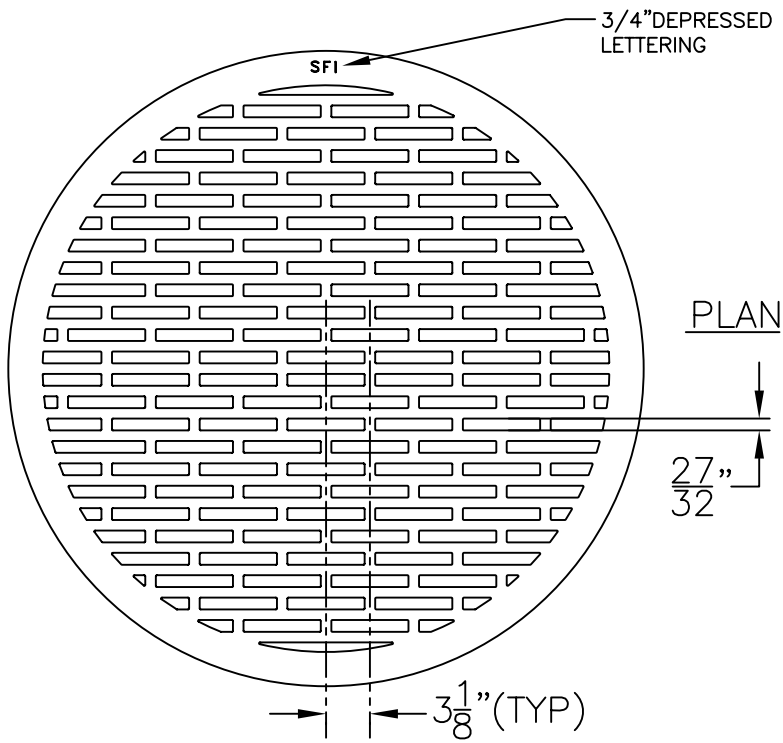


DOBNEY FOUNDRY LTD.

13101-78A AVE.
SURREY, B.C. V3W 9B6

COVER

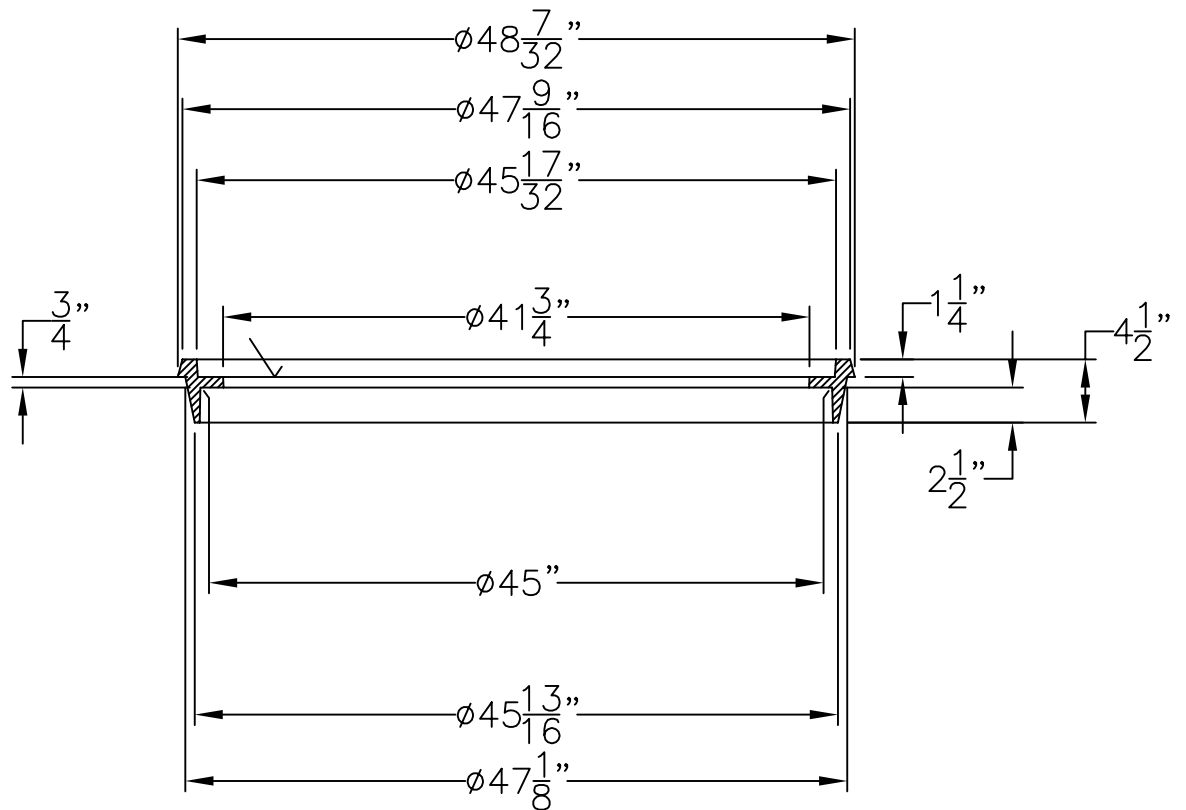
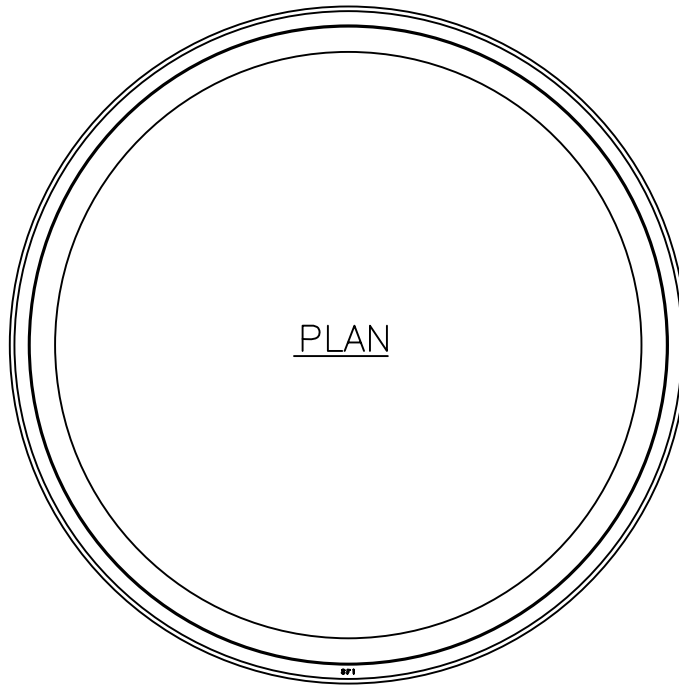
NO.
D-22C



598 5/16" Sq Inchs
DRAINAGE AREA

© 2001-Dobney Foundry Ltd. All rights reserved
No part of this drawing may be reproduced or
transmitted in any form or by any means without
the written consent of Dobney Foundry Ltd.

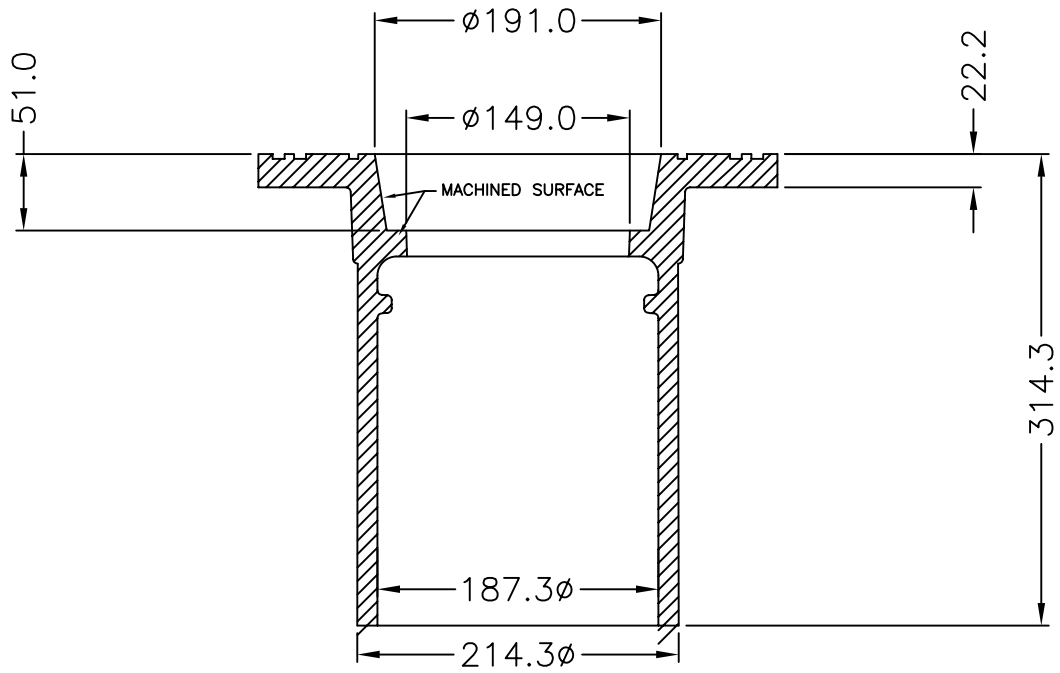
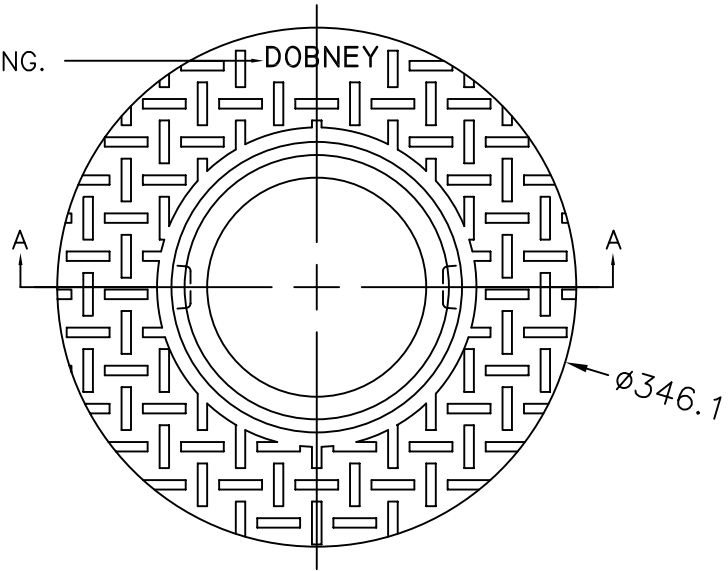
<p>DOBNEY FOUNDRY LTD. 13101-78A Ave Surrey, B.C. V3W 9B6</p>	
<p>Material-Ductil Iron</p>	
<p>GRATE</p>	<p>NO. D-28</p>



○ 2001—Dobney Foundry Ltd. All rights reserved
 No part of this drawing may be reproduced or
 transmitted in any form or by any means without
 the written consent of Dobney Foundry Ltd.

DOBNEY FOUNDRY LTD. 13101-78A Ave Surrey, B.C. V3W 9B6	
Material—Ductil Iron	
<h1>FRAME</h1>	NO. D-28A

3/8" LETTERING.



SECTION A-A

APPROX. WEIGHT:
54 LBS

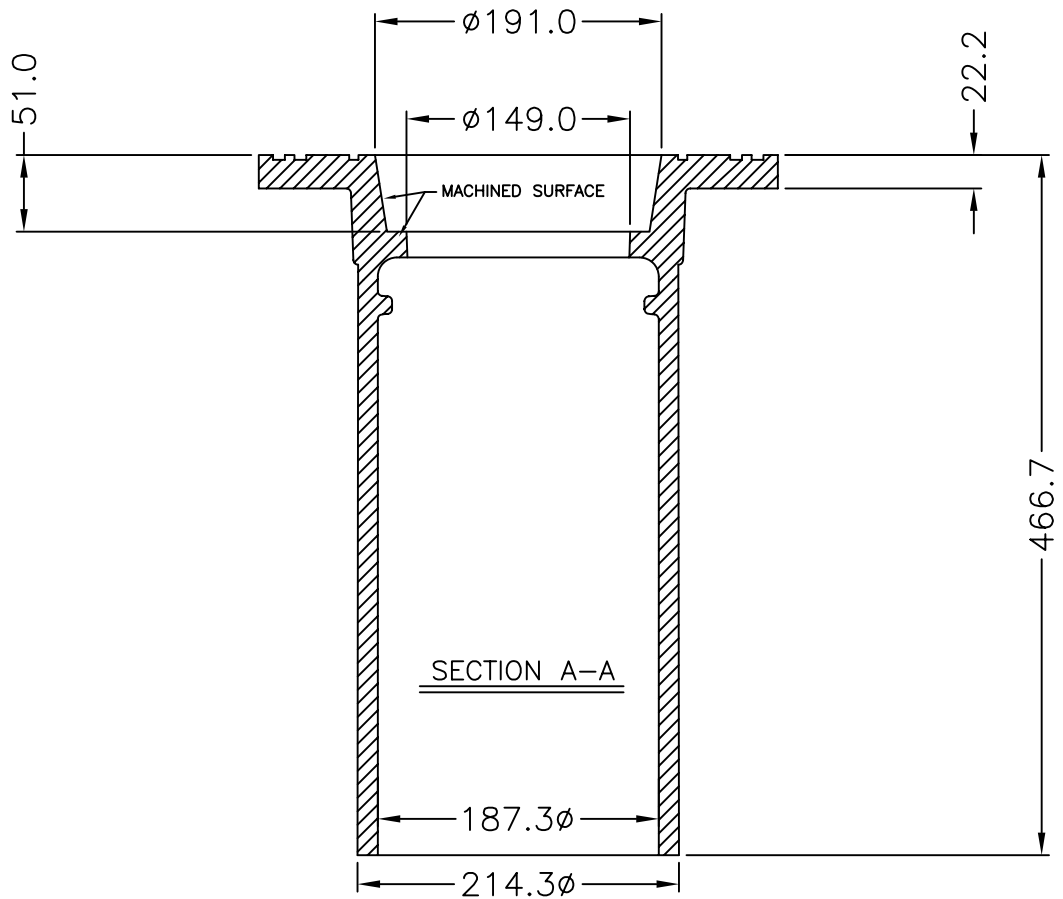
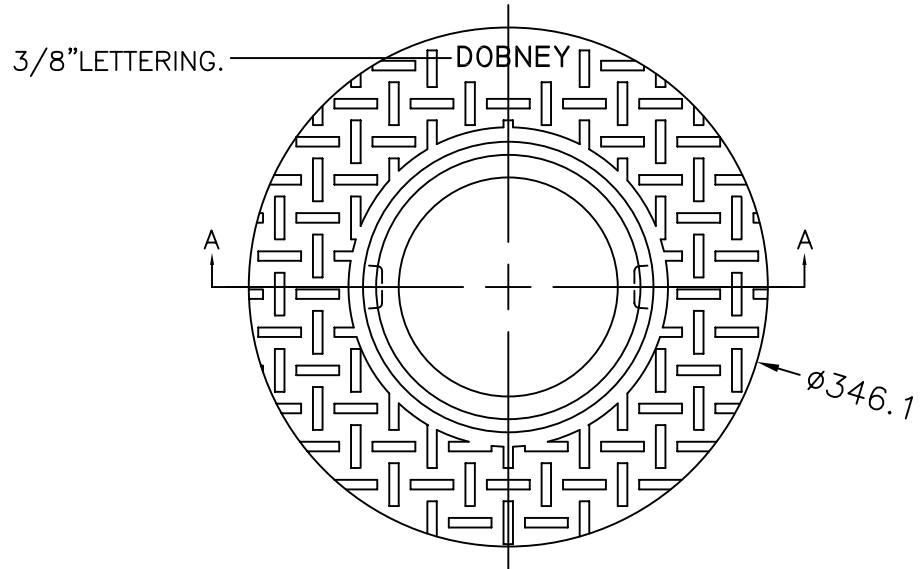


DOBNEY FOUNDRY LTD.
SURREY B.C.

RATING- HWY LOAD


VALVE BOX BODY

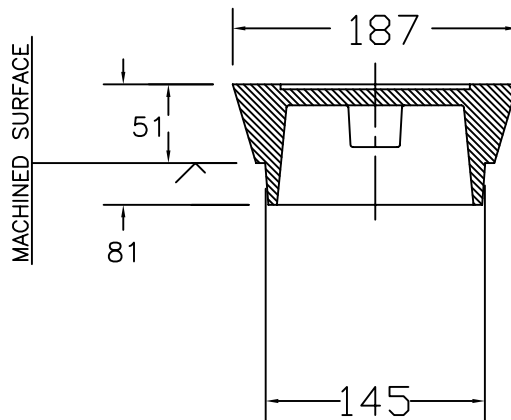
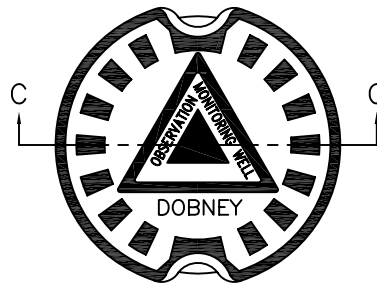
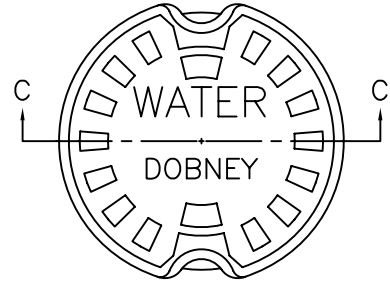
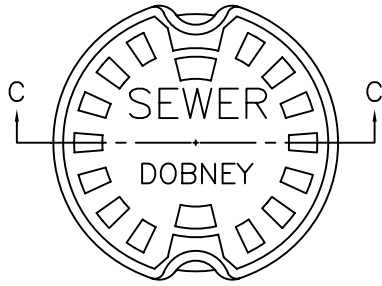
NO.
MR6-12



Also available in 12" Length


APPROX. WEIGHT:
68 LBS (31 KG)

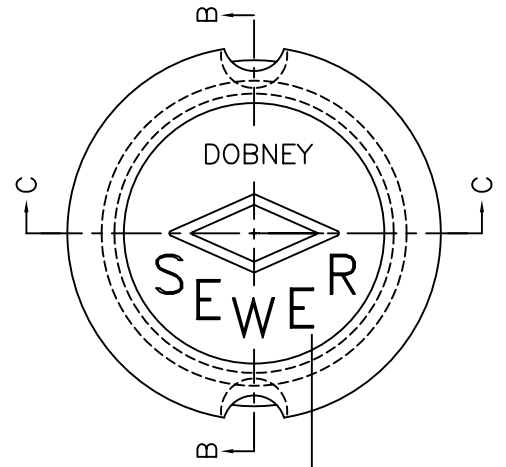
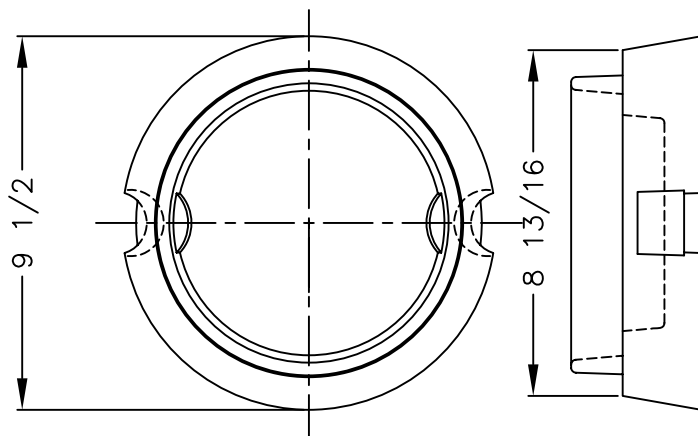
 DOBNEY FOUNDRY LTD. SURREY B.C.	
RATING- HWY LOAD	
VALVE BOX BODY	NO. MR6-18"



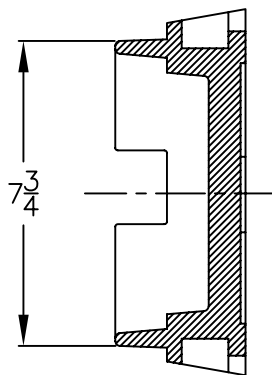
SECTION C-C

WEIGHT:
APPROX. 6 kg

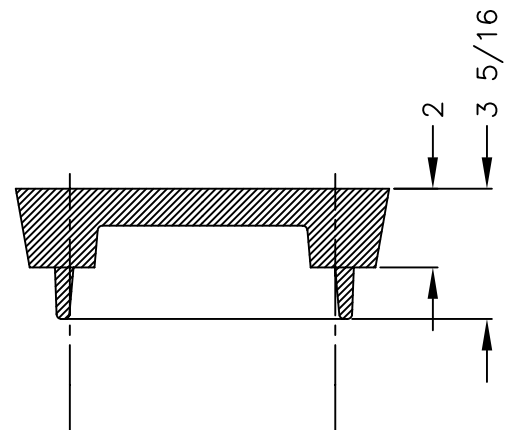
 DOBNEY FOUNDRY LTD. SURREY B.C.	
RATING— HWY LOAD	
VALVE BOX LID	NO. MR-6



1" HIGH LETTERING



SECTION B-B



SECTION C-C

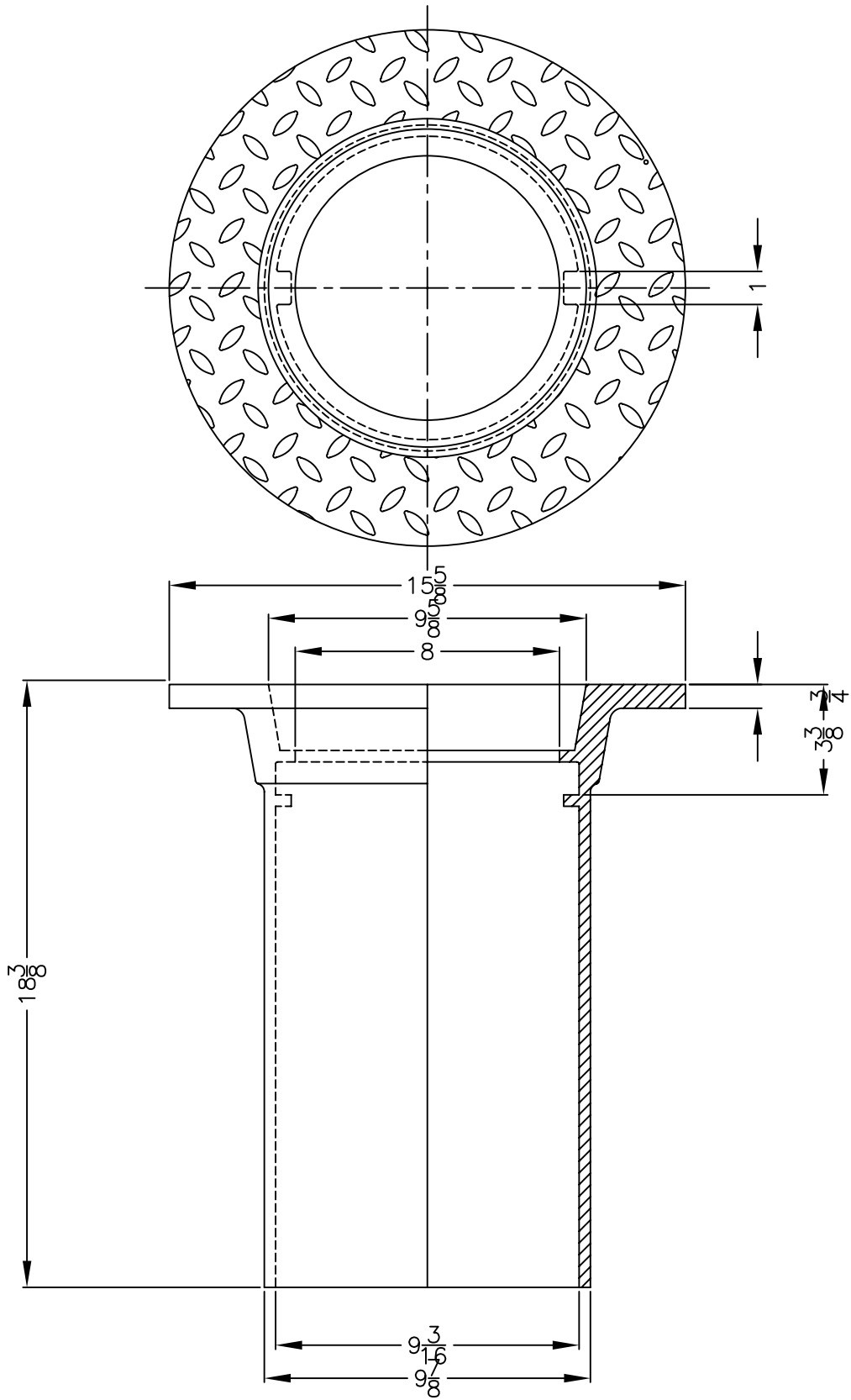


DOBNEY FOUNDRY LTD.
SURREY B.C.


RATING-HWY LOAD

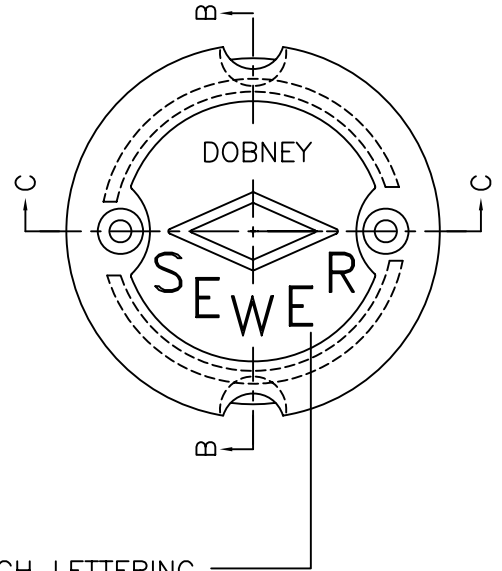
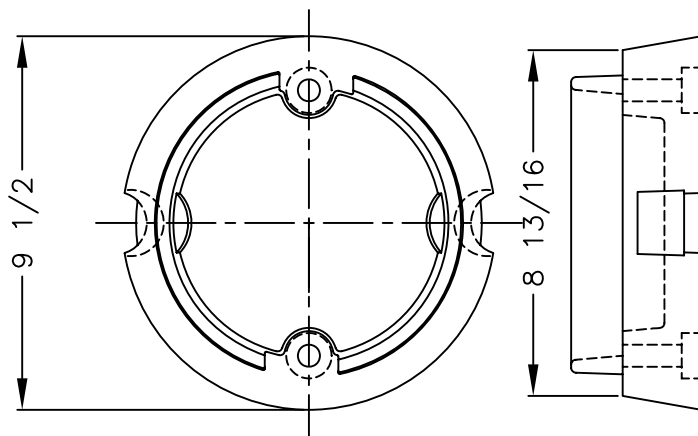
VALVE BOX LID

NO.
MR-8L

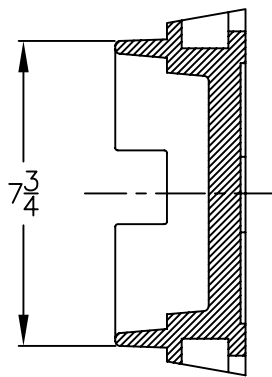


Available in 12" Height

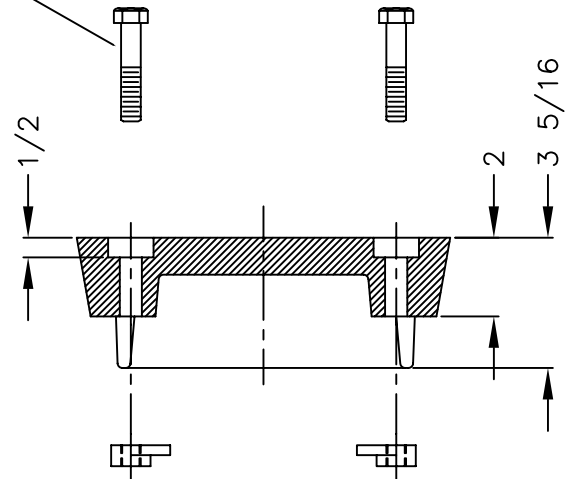
 DOBNEY FOUNDRY LTD. SURREY B.C.	
RATING—HWY LOAD	
VALVE BOX	NO. MR-8



1/2" x 2 3/4"
STAINLESS STEEL
BOLTS 2 PLACES



SECTION B-B



SECTION C-C



LOCKING TAB CAST BRASS



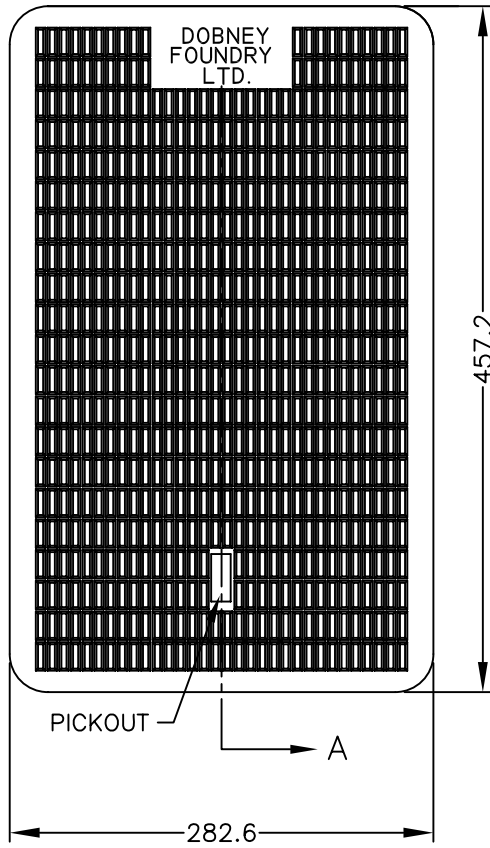
DOBNEY FOUNDRY LTD.
SURREY B.C.

RATING—HWY LOAD

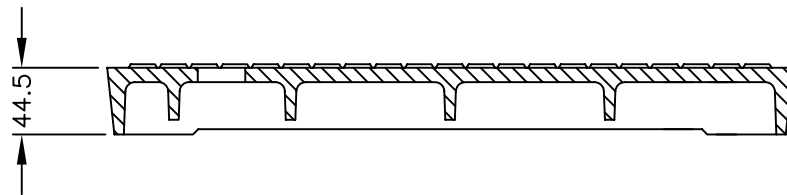
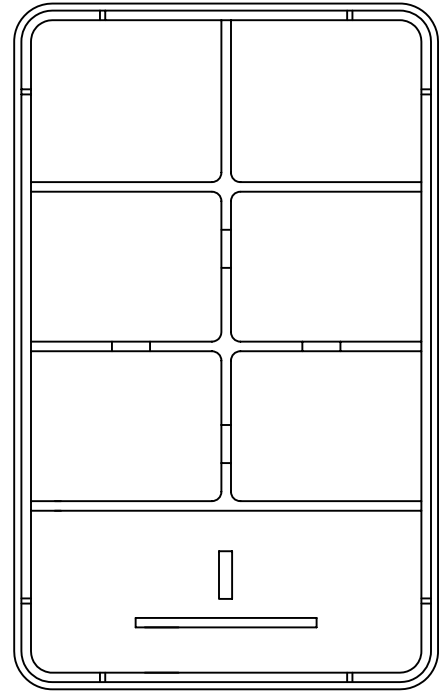
VALVE BOX LID

NO.
MR-8


PLAN COVER



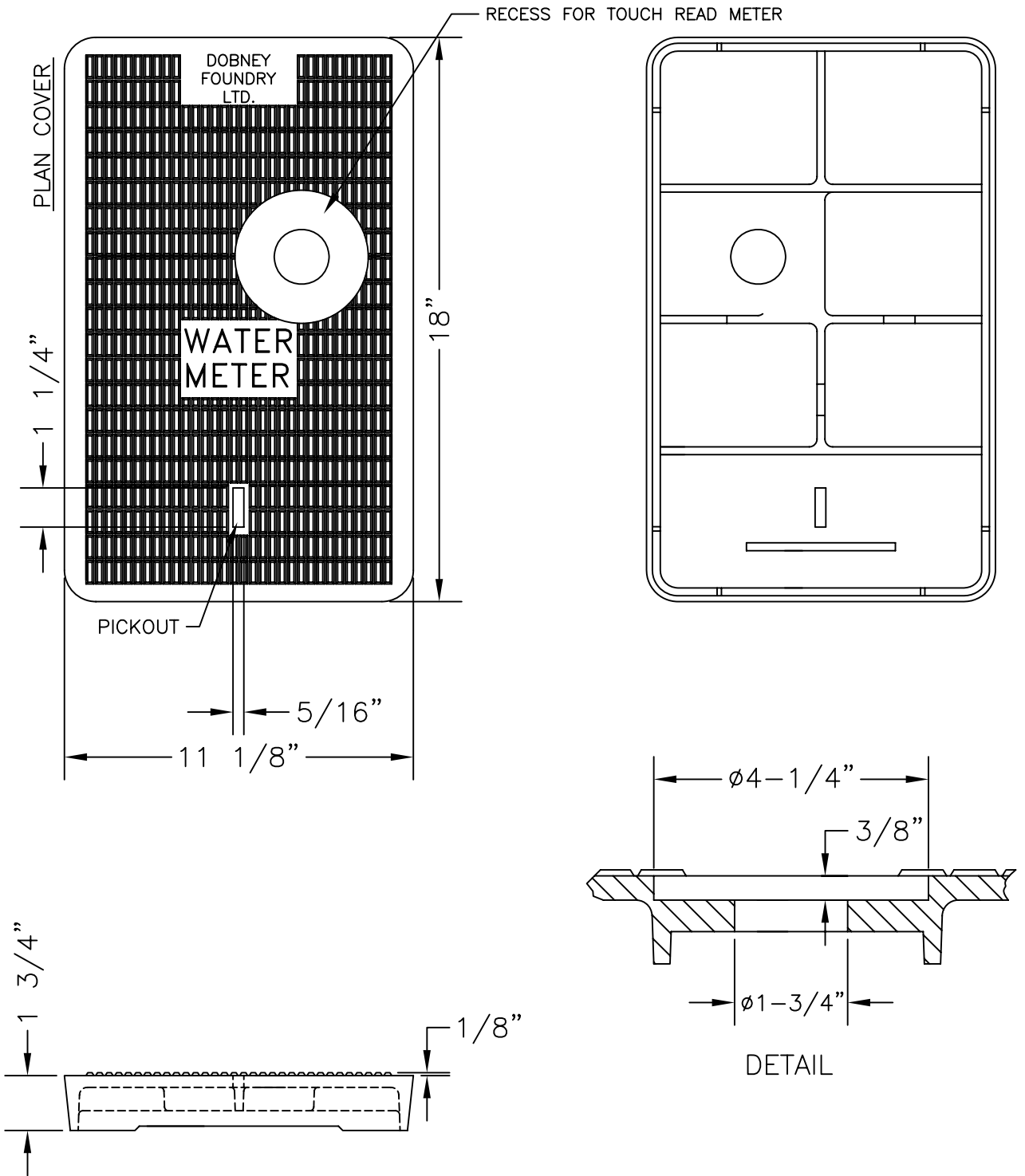
PLAN - COVER U/S REINF.



APPROX. WEIGHT: 12.25KG

 DOBNEY FOUNDRY LTD. SURREY B.C.	
RATING-	
LID	NO. NO.37LID

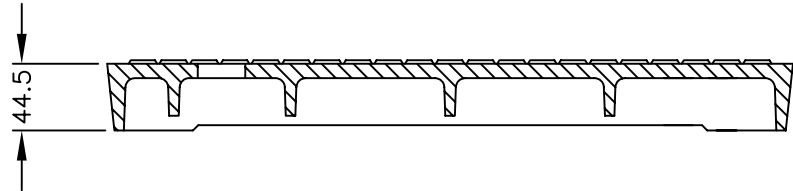
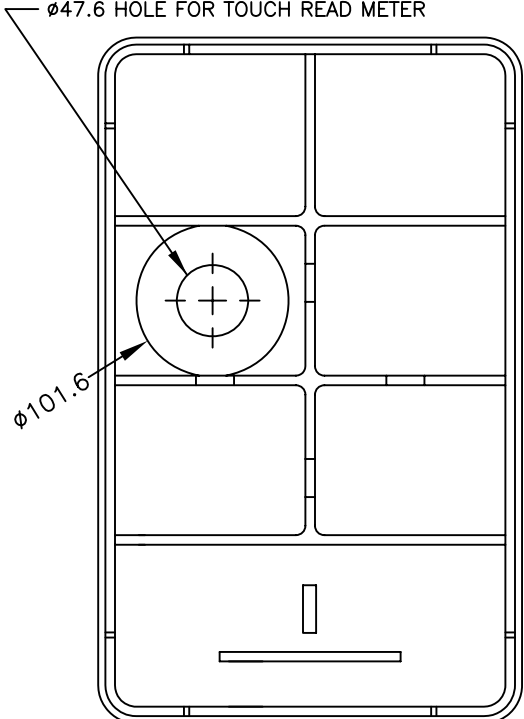
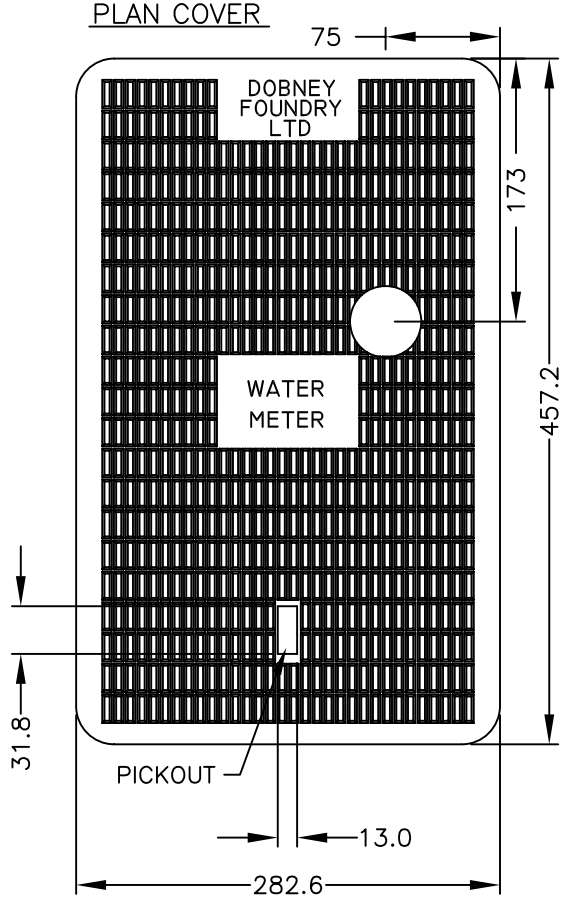
PLAN - COVER U/S REINF.




© 1997-DOBNEY FOUNDRY LTD. All rights reserved
 No part of this drawing may be reproduced or
 transmitted in any form or by any means without
 the written consent of DOBNEY FOUNDRY LTD.

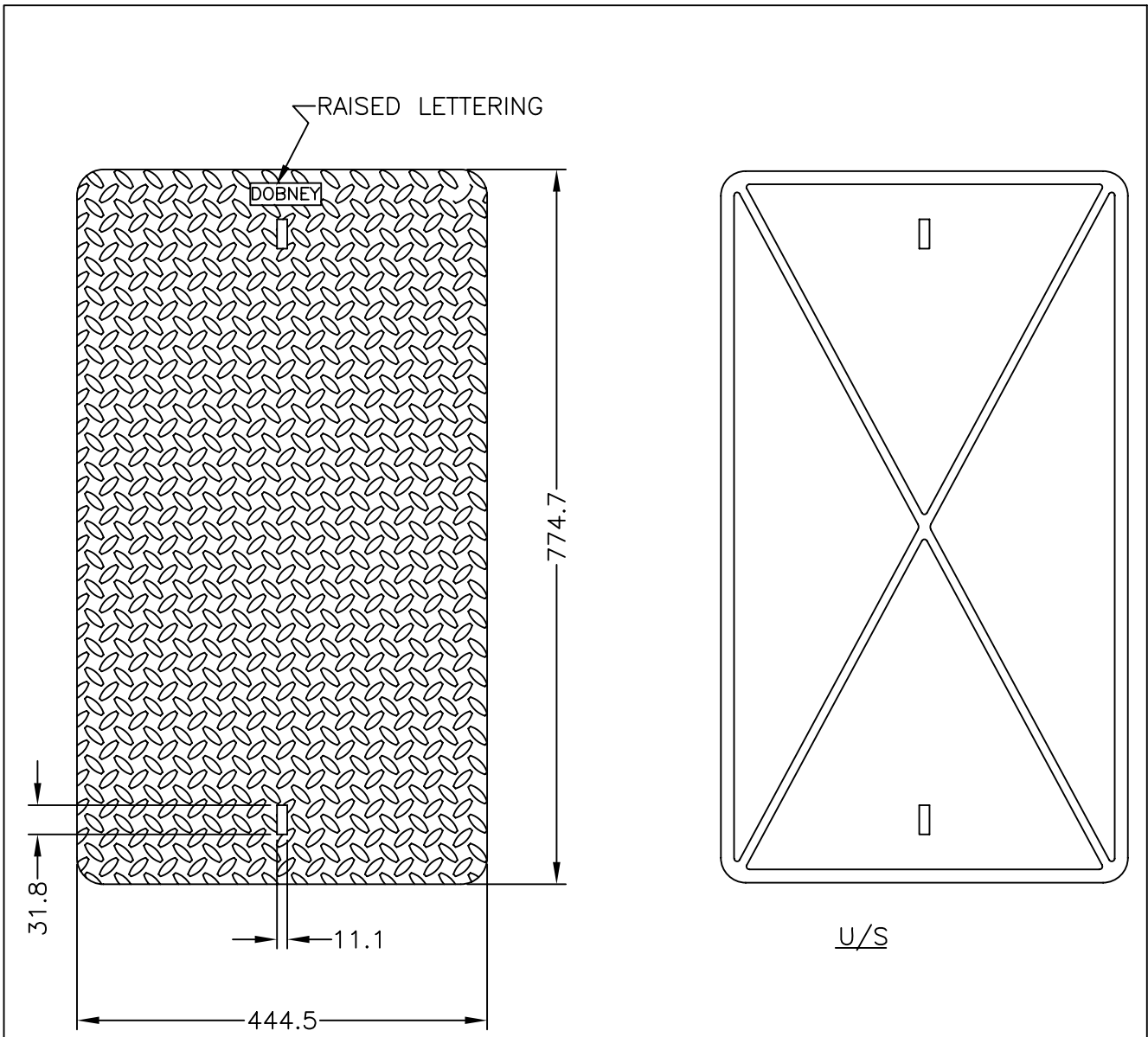
DOBNEY FOUNDRY LTD. 13101-78A AVE. SURREY, B.C. V3W 9B6	
LOADING :	
LID WITH REMOTE READ RECESS	NO. NO.37 RECESS

PLAN – COVER U/S REINF.

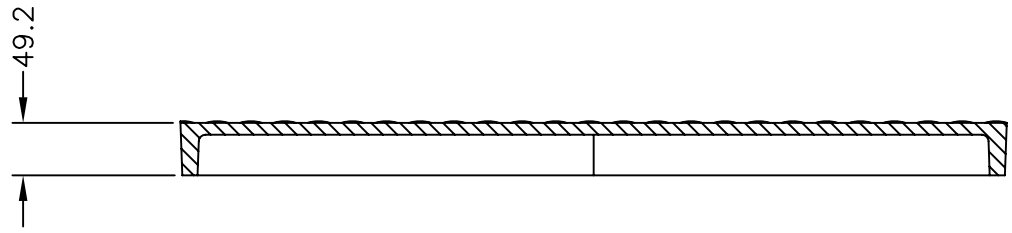


APPROX. WEIGHT: 12.25KG


 DOBNEY FOUNDRY LTD. SURREY B.C.	
RATING-	
LID WITH TOUCH READ HOLE	NO. NO.37 TR

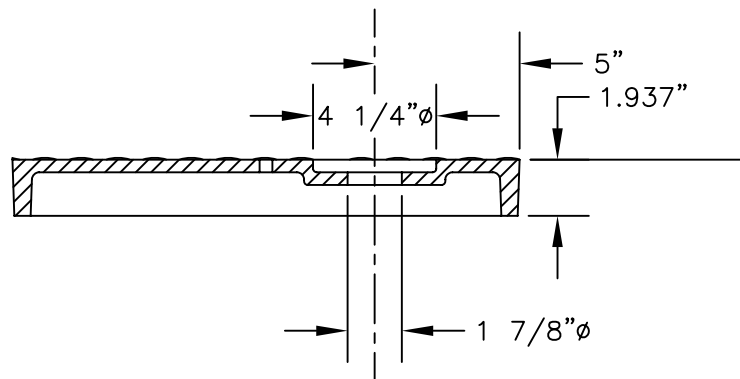
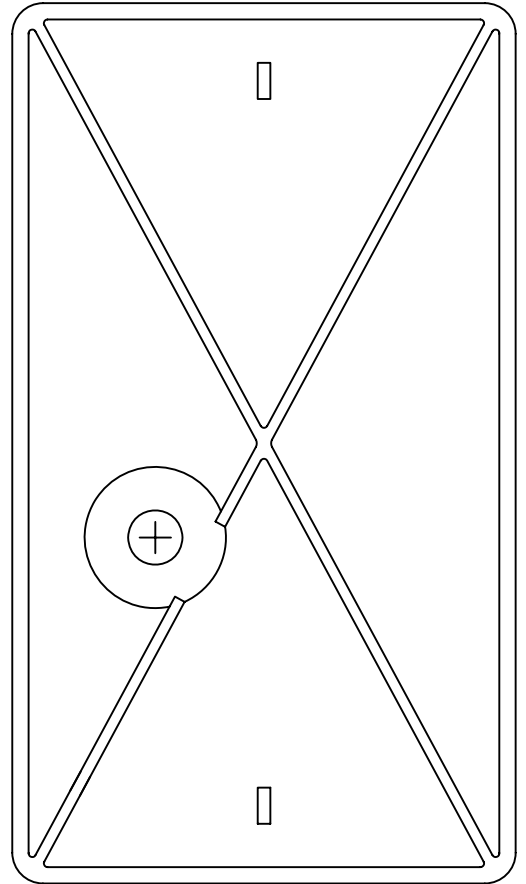
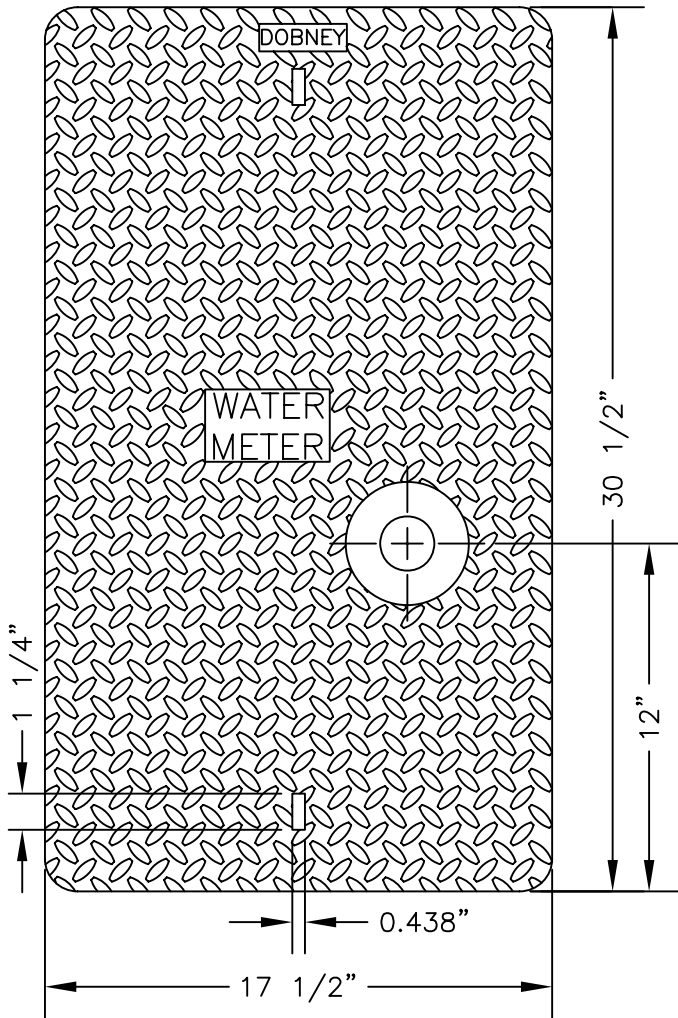


PLAN



NOTE:- ALL DRAFT ANGLES ARE 2°
UNLESS OTHERWISE NOTED.

	DOBNEY FOUNDRY LTD. SURREY B.C.	
	RATING-HWY LOAD	
NO. 66 LID	NO. NO.66LB	

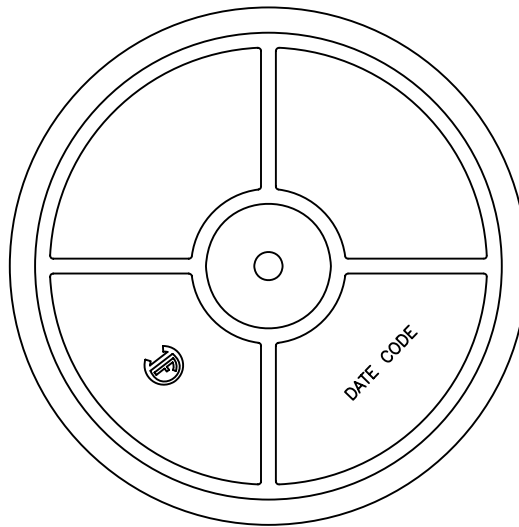
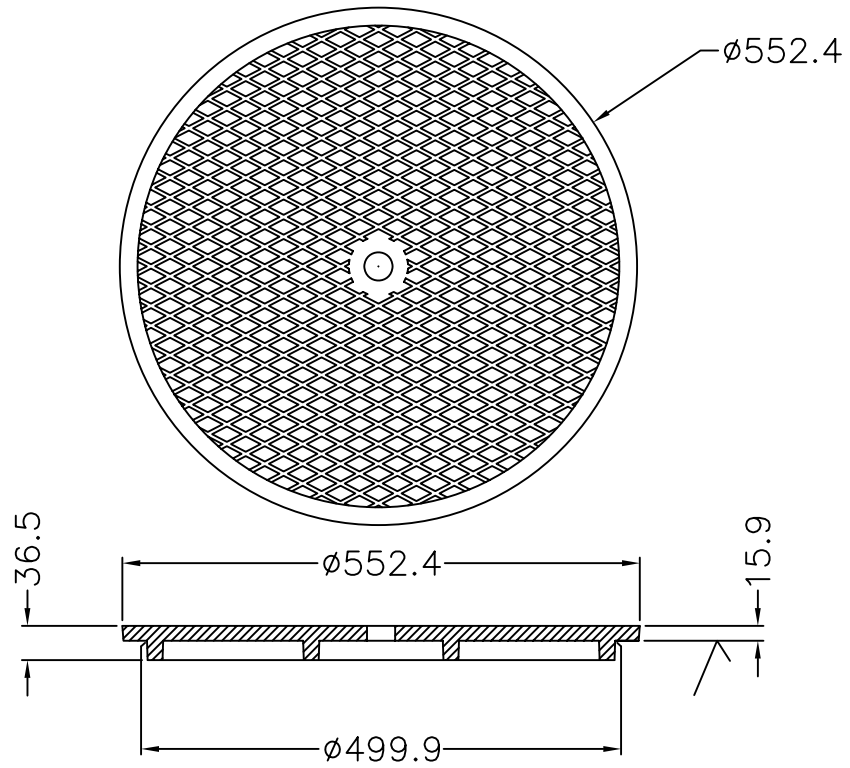


DOBNEY FOUNDRY LTD.


13101-78A AVE.
SURREY, B.C. V3W 1B6

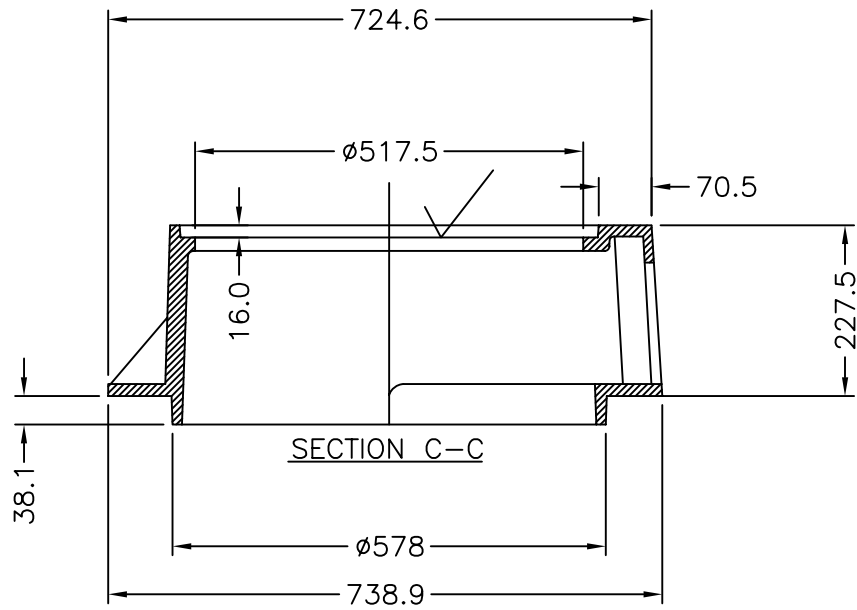
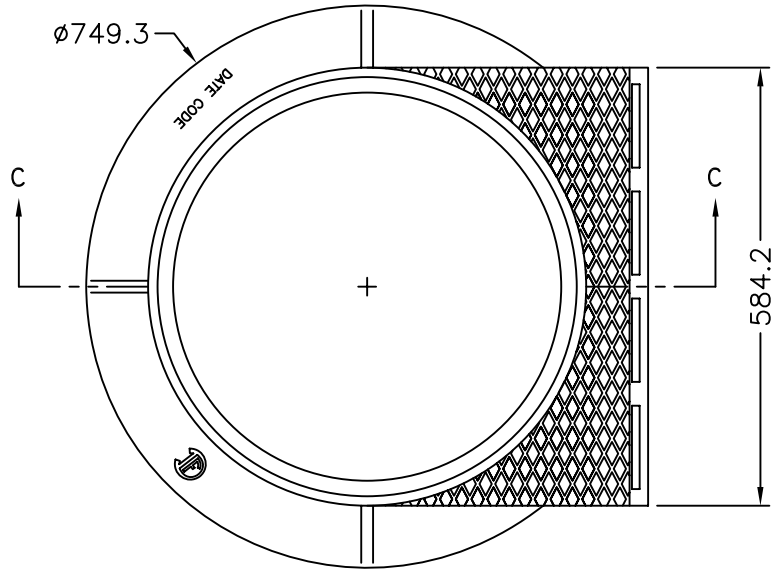
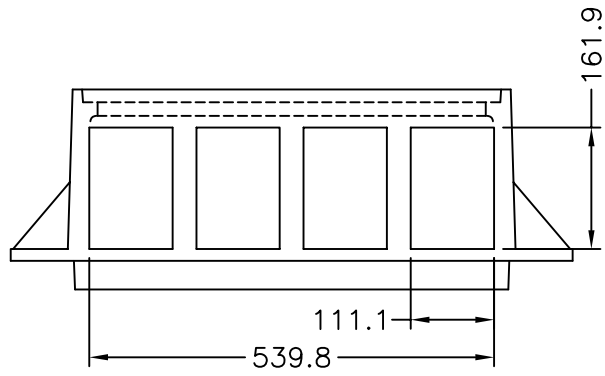
TOUCH READ

NO.
NO.66TR



APPROX. WEIGHT:
COVER— 30 KG

 DOBNEY FOUNDRY LTD. SURREY B.C.	
RATING—HWY LOAD	
COVER	NO. SM94—C



APPROX. WEIGHT:
FRAME- 111 KG

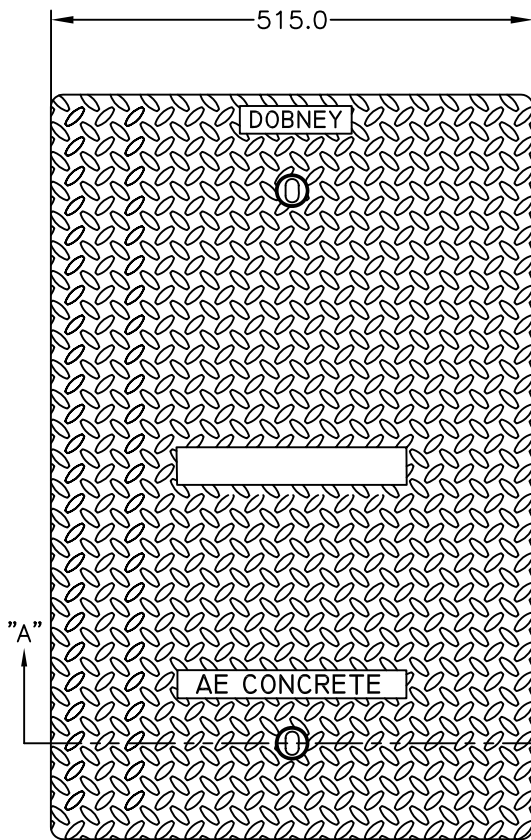


DOBNEY FOUNDRY LTD.
SURREY B.C.

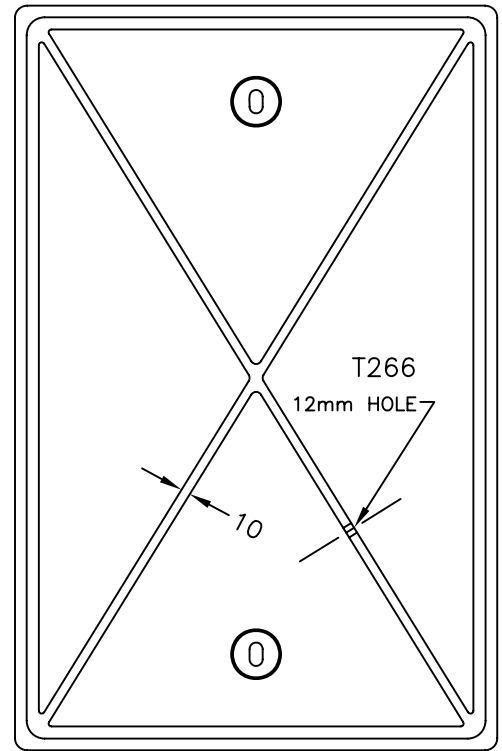
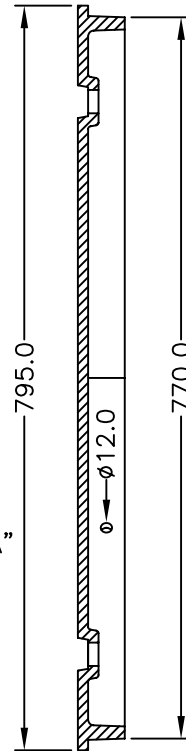
RATING-HWY LOAD

FRAME

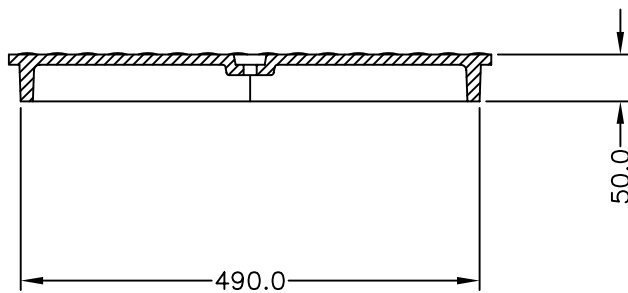
NO.
SM94-F



PLAN



U/S



SECTION A-A

APPROX WEIGHT:
107 Lbs
48.48 kgs

NOTE:- ALL DRAFT ANGLES ARE 2°
UNLESS OTHERWISE NOTED.

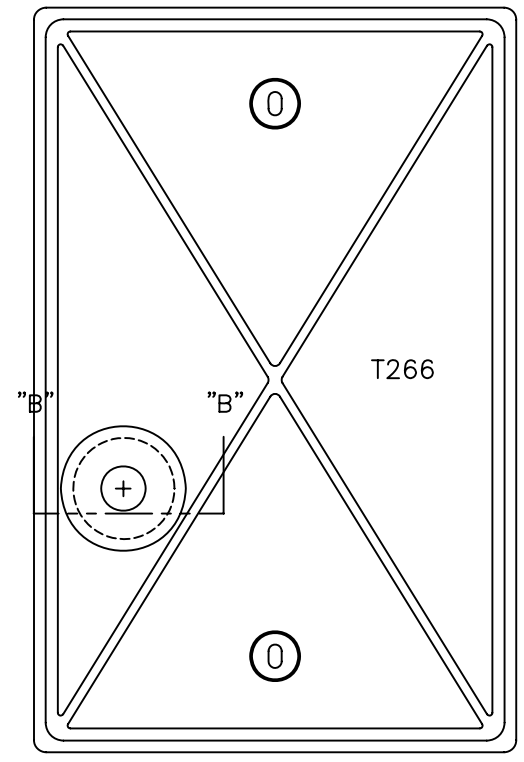
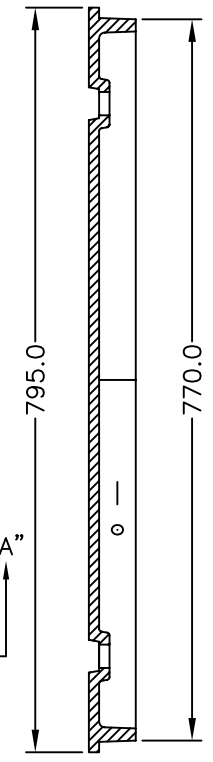
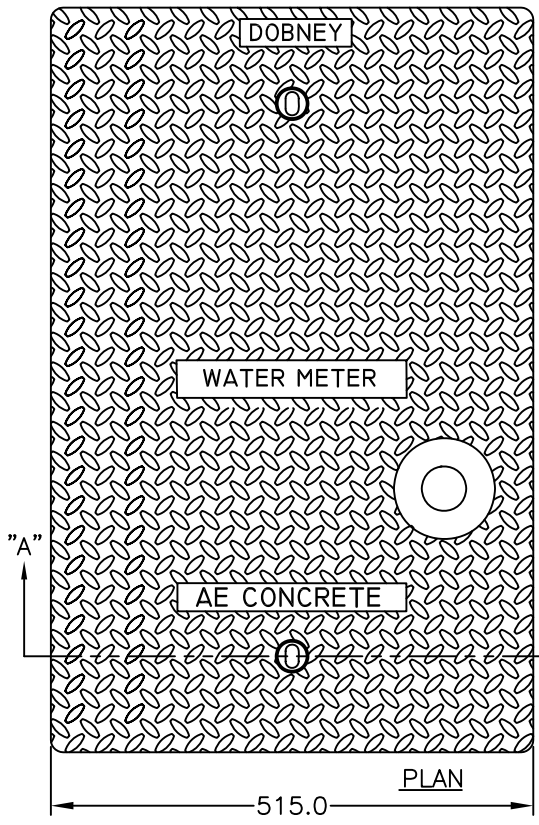


DOBNEY FOUNDRY LTD.
SURREY B.C.

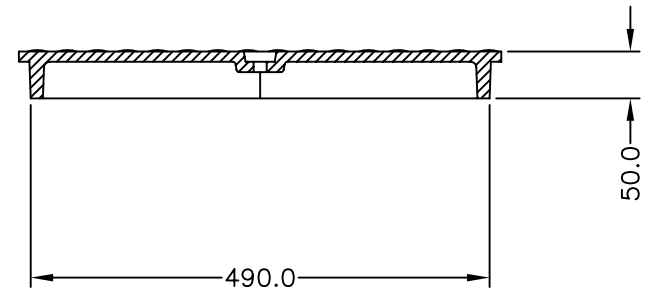
RATING-

T266 LID

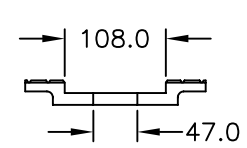
NO.
T266LB



U/S




SECTION A-A



SECTION B-B

APPROX WEIGHT:
107 Lbs
48.48 kgs

NOTE:- ALL DRAFT ANGLES ARE 2°
UNLESS OTHERWISE NOTED.

 DOBNEY FOUNDRY LTD. SURREY B.C.	
RATING-	
T266 LID	NO. T266LRR