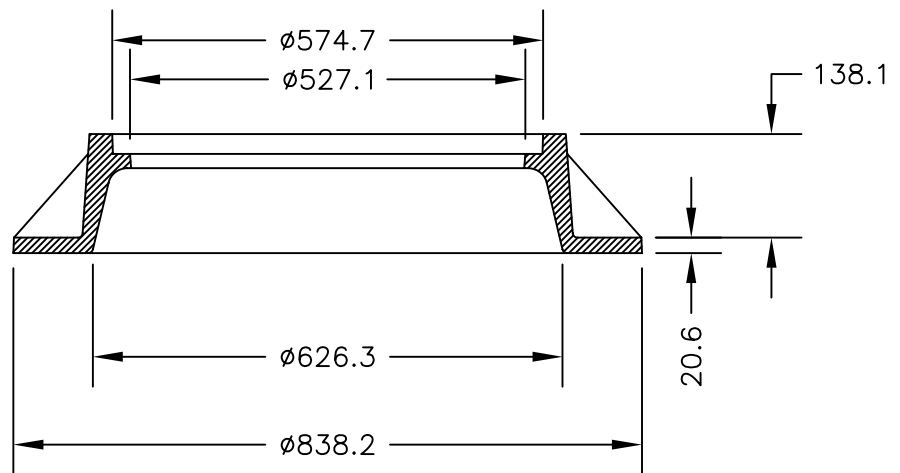



FRAME



WEIGHTS:—  
FRAME 86 Kg

NOTES:

1. ALL METAL BEARING SURFACES BETWEEN FRAME AND COVER MACHINED TO ENSURE GOOD SEATING

 <b>DOBNEY FOUNDRY LTD.</b> <b>SURREY B.C.</b>	
<b>RATING—HWY LOAD</b>	
FRAME	NO. C-39