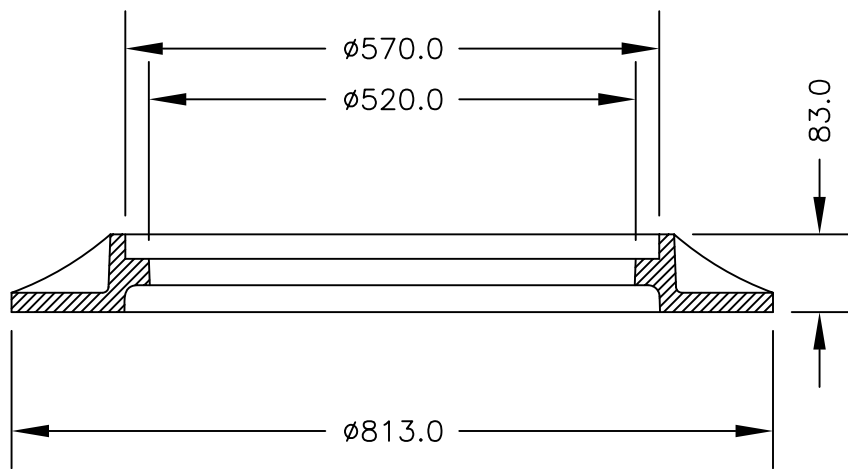


PLAN



SECTION A-A

APPROX. WEIGHT

FRAME - 63 KG



DOBNEY FOUNDRY LTD.
SURREY B.C.

RATING-HWY LOAD

MANHOLE FRAME

NO.
C-18D