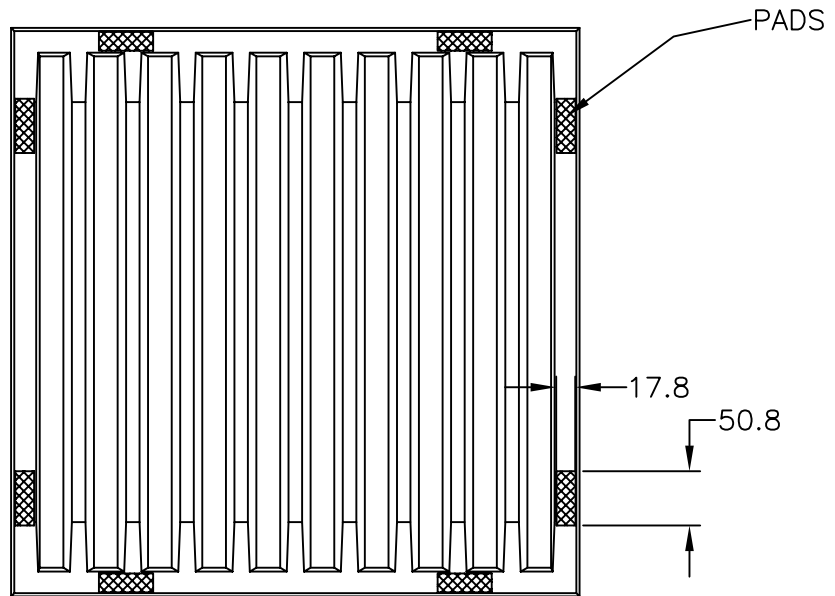
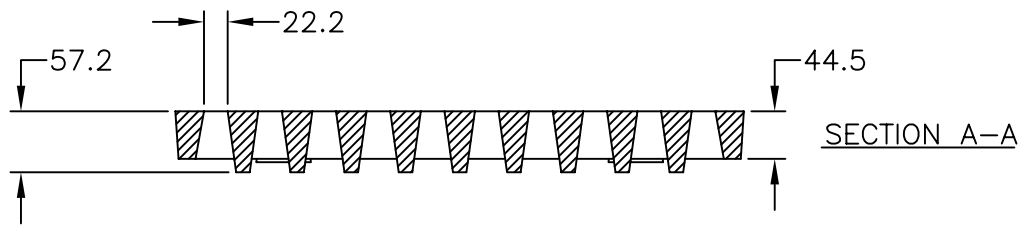



PLAN



U/S

APPROX WEIGHT
GRATE - 52 KG.

 DOBNEY FOUNDRY LTD. SURREY B.C.	
RATING-HWY LOAD	
GRATE	NO. B-25F