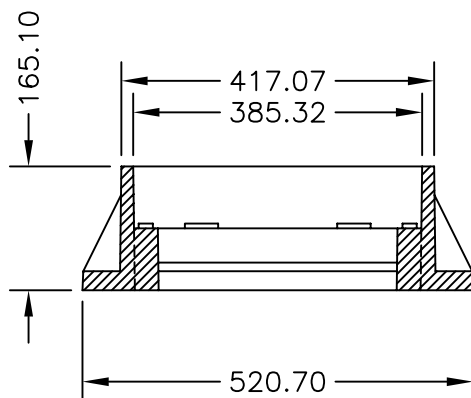



SECTION A-A



SECTION B-B

APPROX. WEIGHT  
FRAME - 145 Kg

USE WITH 2 B-19A GRATES

 <b>DOBNEY FOUNDRY LTD.</b> <b>SURREY B.C.</b>	
<b>RATING-HWY LOAD</b>	
<b>TWIN CATCH BASIN FRAME</b>	<b>NO. B-19A</b>