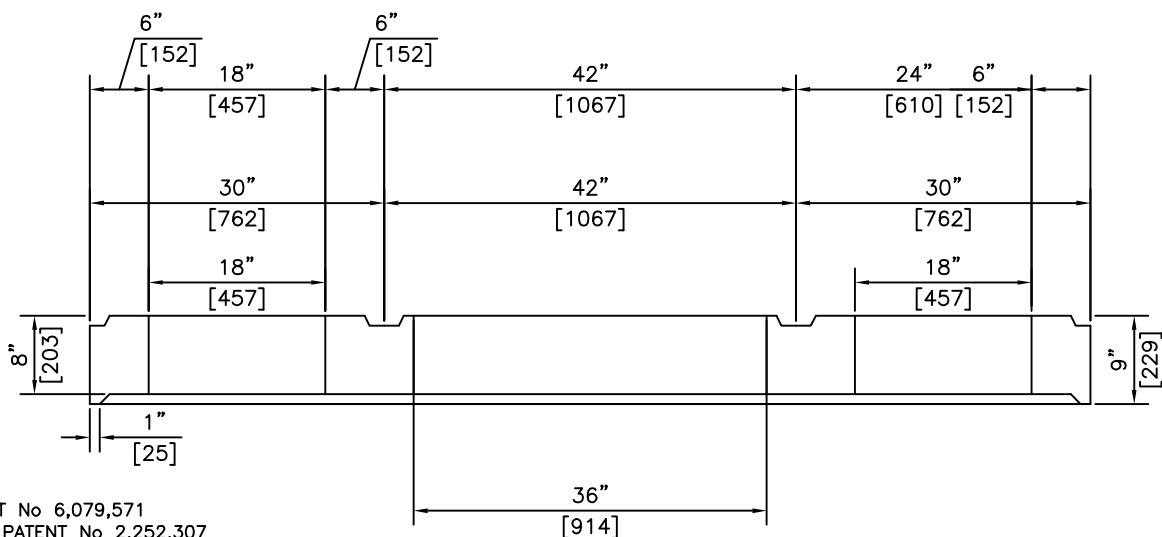


**PLAN VIEW**



**NOTES:**

US PATENT No 6,079,571  
 CANADIAN PATENT No 2,252,307  
 MEETS H-20 LOADING

REVISED: FEB 1 2006

<b>A.F.C.</b> AMERICAN FORCECRETE OF CANADA Inc.	3891 Irvine Road LAKE COUNTRY, B.C. V4V 2G4 PH: (250) 548-0056 FX: (250) 765 0820	BY: JRS DATE: FEB 1 06 SCALE: NTS	<b>MODEL 1605/1605E</b> <b>OIL/WATER</b> <b>SEPARATOR LID : H20</b>	ITEM NO. <b>1604</b>